



Chipsmall Limited consists of a professional team with an average of over 10 year of expertise in the distribution of electronic components. Based in Hongkong, we have already established firm and mutual-benefit business relationships with customers from,Europe,America and south Asia,supplying obsolete and hard-to-find components to meet their specific needs.

With the principle of “Quality Parts,Customers Priority,Honest Operation,and Considerate Service”,our business mainly focus on the distribution of electronic components. Line cards we deal with include Microchip,ALPS,ROHM,Xilinx,Pulse,ON,Everlight and Freescale. Main products comprise IC,Modules,Potentiometer,IC Socket,Relay,Connector.Our parts cover such applications as commercial,industrial, and automotives areas.

We are looking forward to setting up business relationship with you and hope to provide you with the best service and solution. Let us make a better world for our industry!



Contact us

Tel: +86-755-8981 8866 Fax: +86-755-8427 6832

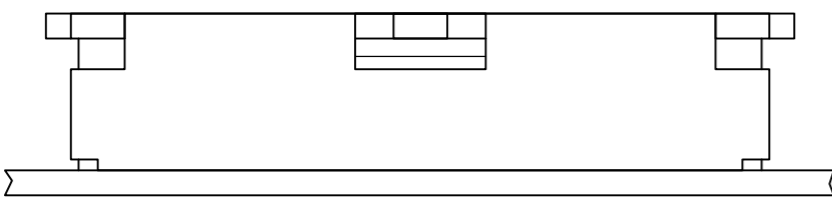
Email & Skype: info@chipsmall.com Web: www.chipsmall.com

Address: A1208, Overseas Decoration Building, #122 Zhenhua RD., Futian, Shenzhen, China

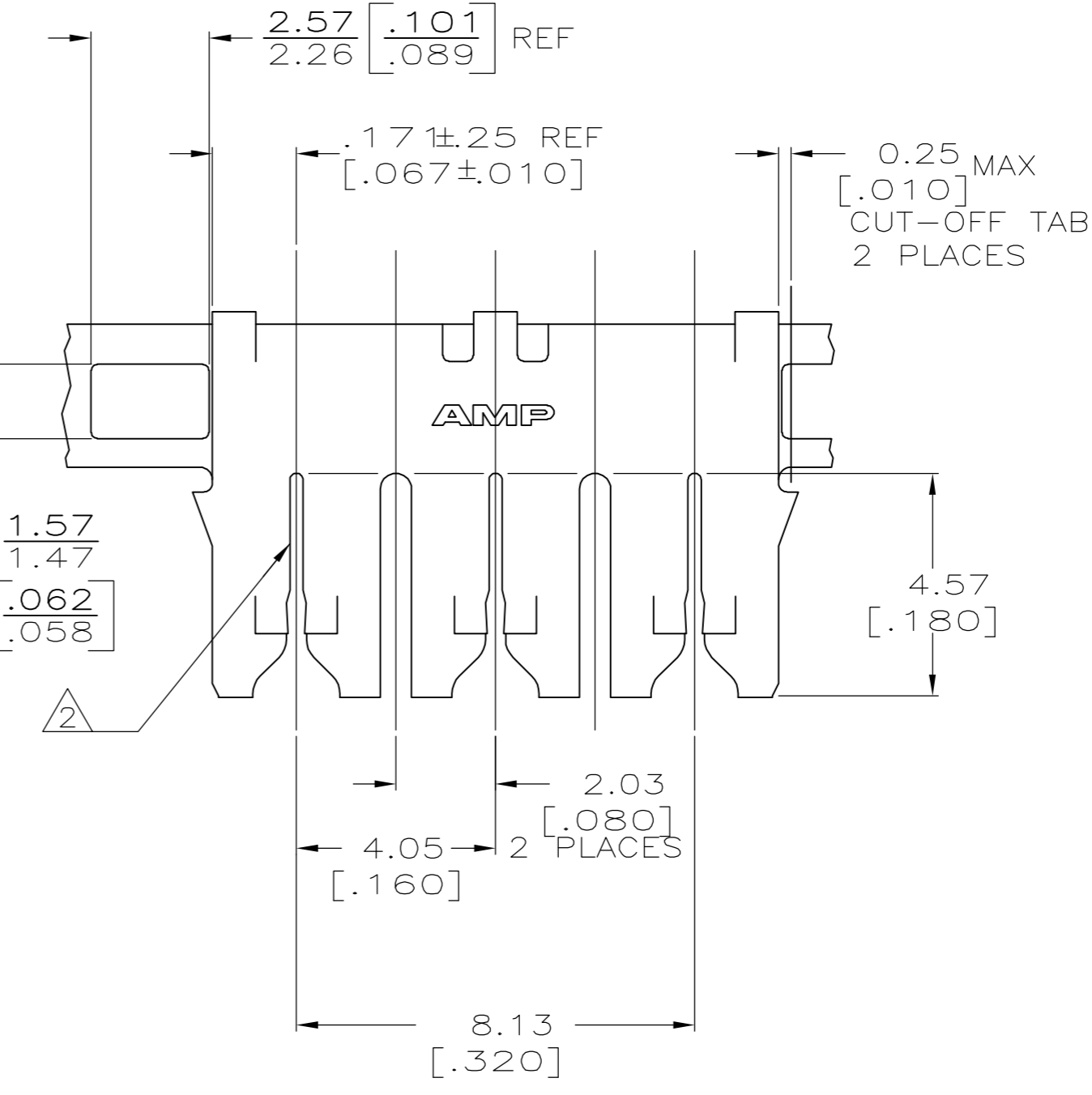
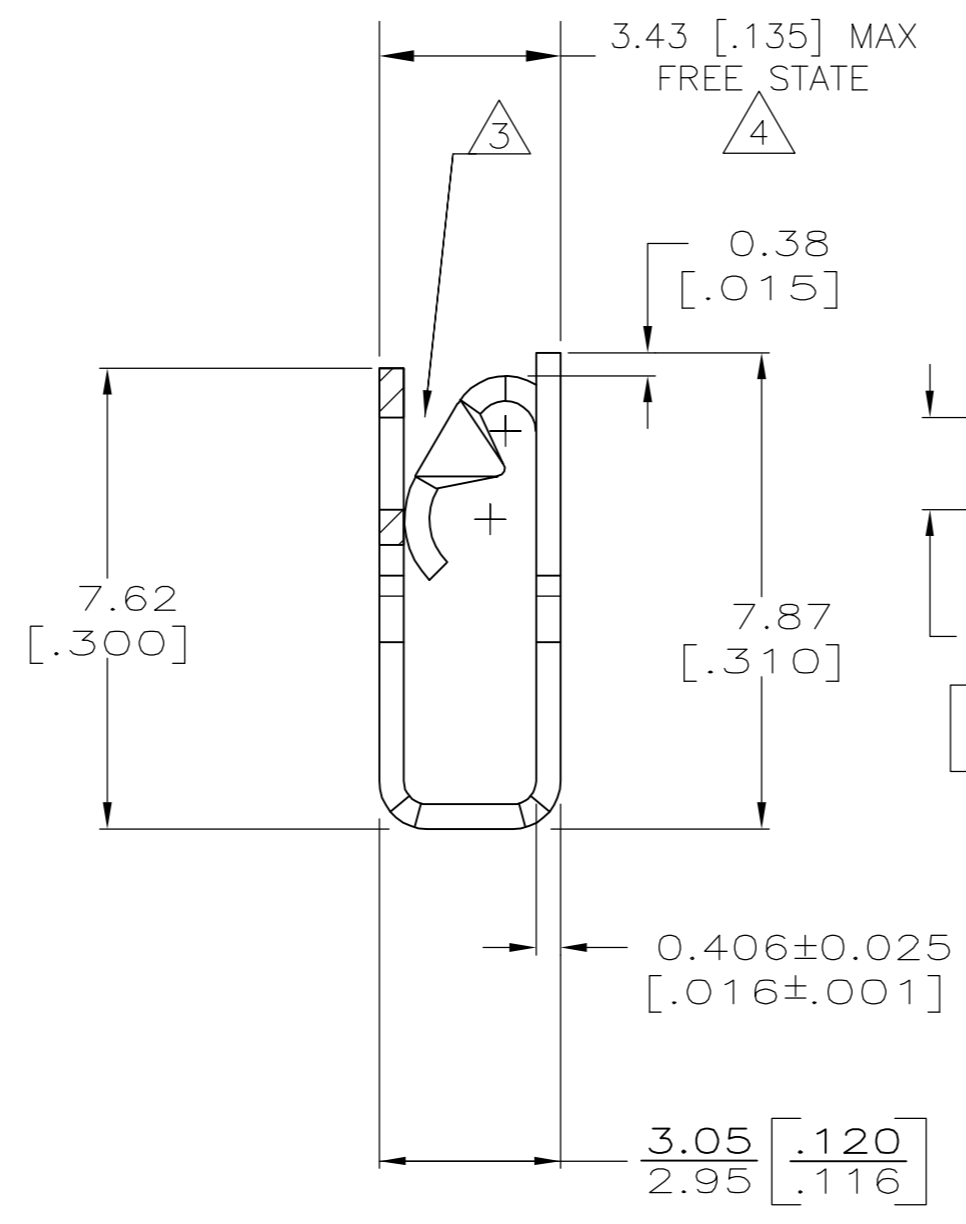
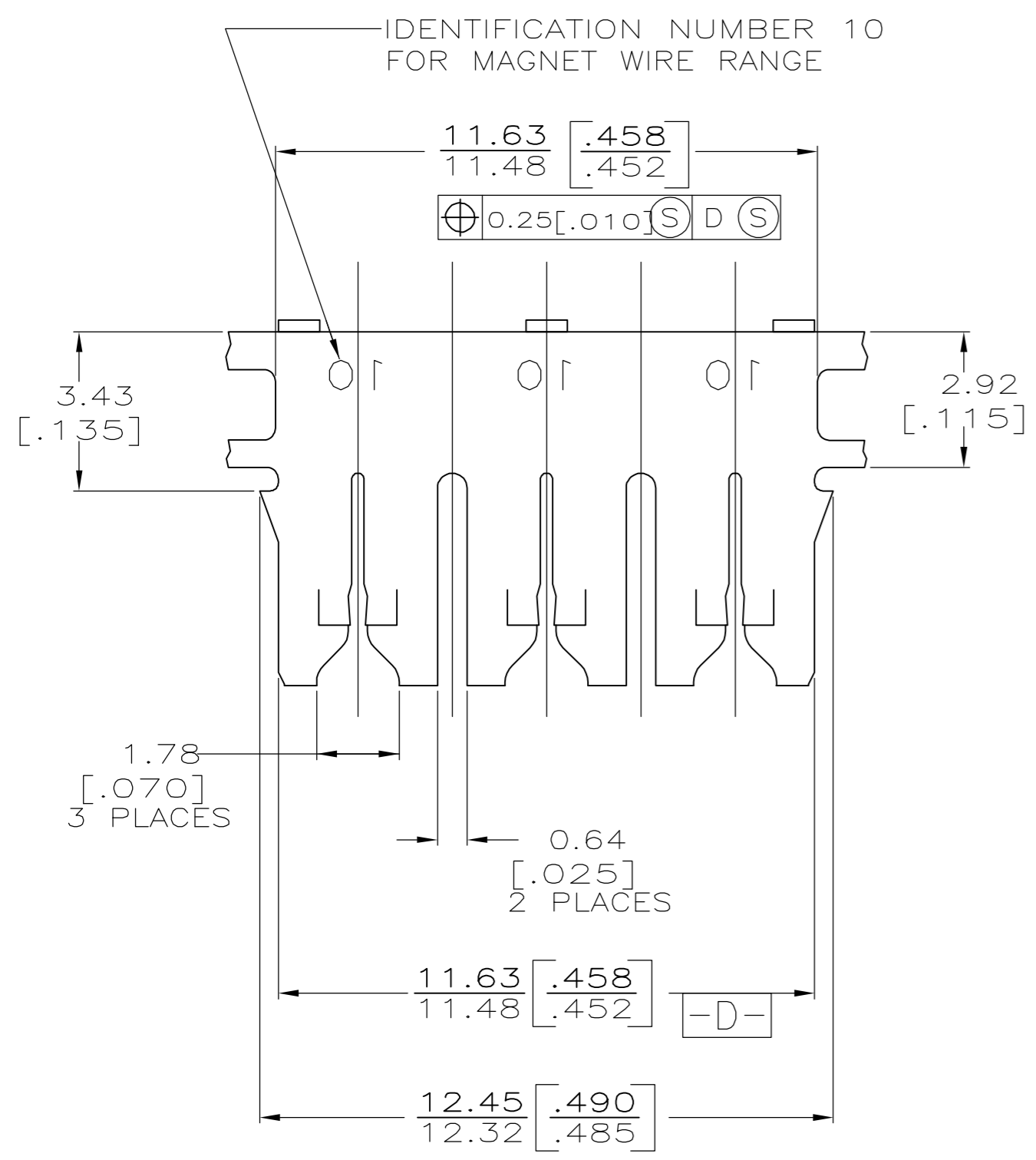


THIS DRAWING IS UNPUBLISHED. RELEASED FOR PUBLICATION
 © COPYRIGHT BY TYCO ELECTRONICS CORPORATION. ALL RIGHTS RESERVED.

| LOC | | DIST | | REVISIONS | | | | | |
|-----|--|------|--|-----------|-----|----------------------|-----------|-----|------|
| AF | | 50 | | P | LTR | DESCRIPTION | DATE | DWN | APVD |
| | | | | D | | REV PER 0G3A-0759-04 | 07OCT2004 | RF | KR |



- 1 CONTINUOUS STRIP ON REELS (NO SPLICES) WITH TERMINALS LOCATED ON 13.97±0.08 [.550±.003] CENTERS.
- 2 SLOTS ACCEPT A SINGLE 0.36-0.57mm [#27-#23] AWG COPPER MAGNET WIRE.
- 3 MATES WITH STANDARD MAG-MATE STYLED POKE-IN TAB TERMINAL.
- 4 DIMENSION APPLIES WITH LEAF EDGE TOUCHING CARRIER SIDE OF BOX.



63632-1
 PART NUMBER

| | | | | |
|--|--|-----------------------------------|---|--------------------|
| THIS DRAWING IS A CONTROLLED DOCUMENT. | | DWN 12/3/91 MICHAEL S. FEHER | Tyco Electronics Corporation Harrisburg, PA 17105-3608 | |
| DIMENSIONS: INCHES | | CHK 12/3/91 PHILLIP M. FORTNEY | | |
| TOLERANCES UNLESS OTHERWISE SPECIFIED: | | APVD - | NAME | |
| 0 PLC ± - 1 PLC ± - 2 PLC ± .15 [.006] 3 PLC ± - 4 PLC ± - ANGLES ± - | | PRODUCT SPEC 108-2012 | SPECIAL LEAF CONTACT, TRI-SLOT, MAG-MATE | |
| MATERIAL #4M HARD BRASS | | FINISH 0.002032 [.000080] MIN TIN | APPLICATION SPEC 91-7079-026 | RESTRICTED TO |
| | | WEIGHT - | SIZE A2 | CAGE CODE 00779 |
| | | CUSTOMER DRAWING | SCALE 8:1 | DRAWING NO C=63632 |
| | | | SHEET 1 OF 1 | REV D |