



Chipsmall Limited consists of a professional team with an average of over 10 year of expertise in the distribution of electronic components. Based in Hongkong, we have already established firm and mutual-benefit business relationships with customers from,Europe,America and south Asia,supplying obsolete and hard-to-find components to meet their specific needs.

With the principle of “Quality Parts,Customers Priority,Honest Operation,and Considerate Service”,our business mainly focus on the distribution of electronic components. Line cards we deal with include Microchip,ALPS,ROHM,Xilinx,Pulse,ON,Everlight and Freescale. Main products comprise IC,Modules,Potentiometer,IC Socket,Relay,Connector.Our parts cover such applications as commercial,industrial, and automotives areas.

We are looking forward to setting up business relationship with you and hope to provide you with the best service and solution. Let us make a better world for our industry!



Contact us

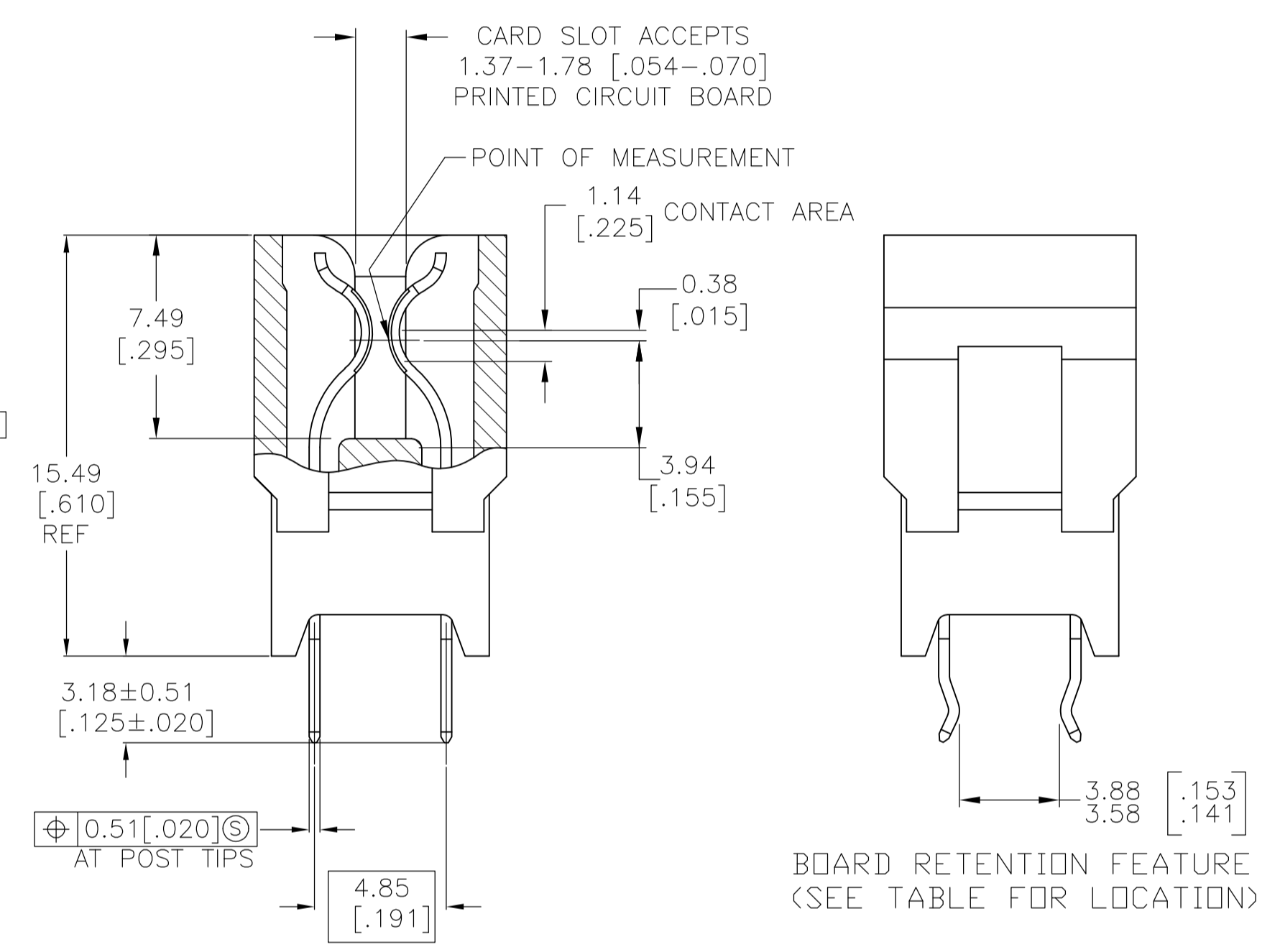
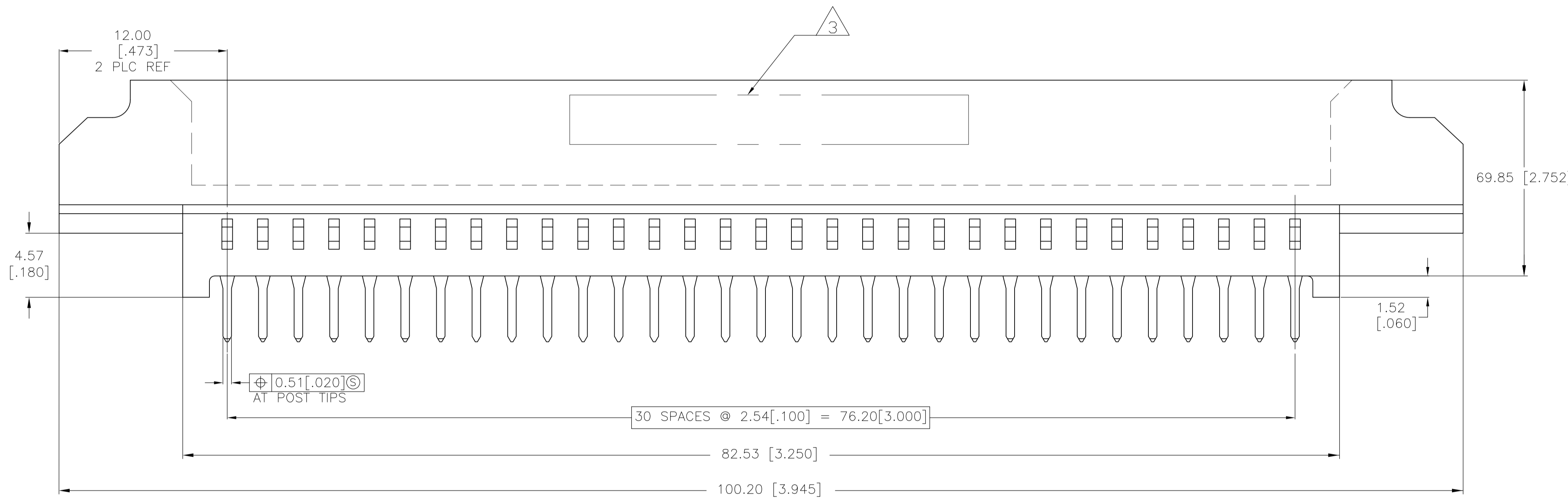
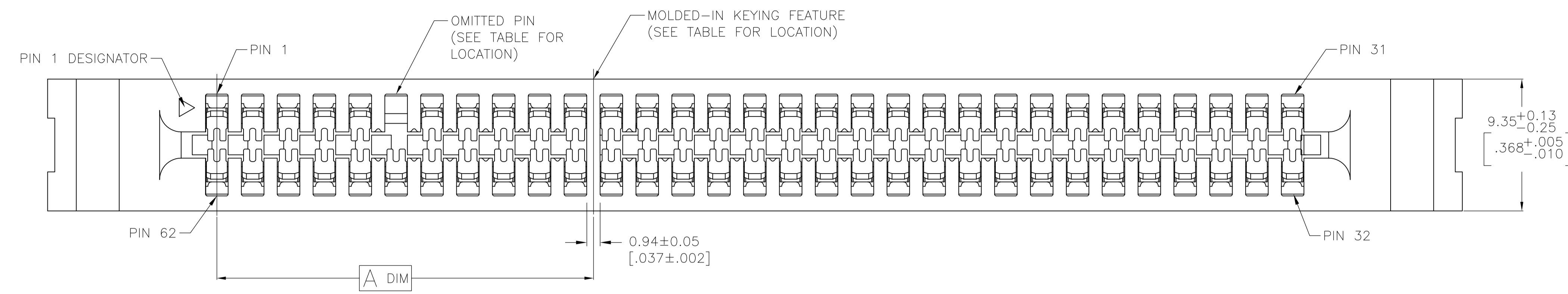
Tel: +86-755-8981 8866 Fax: +86-755-8427 6832

Email & Skype: info@chipsmall.com Web: www.chipsmall.com

Address: A1208, Overseas Decoration Building, #122 Zhenhua RD., Futian, Shenzhen, China



LOC		DIST		REVISIONS			
P	LTR	DESCRIPTION	DATE	DN	APVD		
B1		REVISED PER ECO-10-000444	19JAN10	KK	AEG		



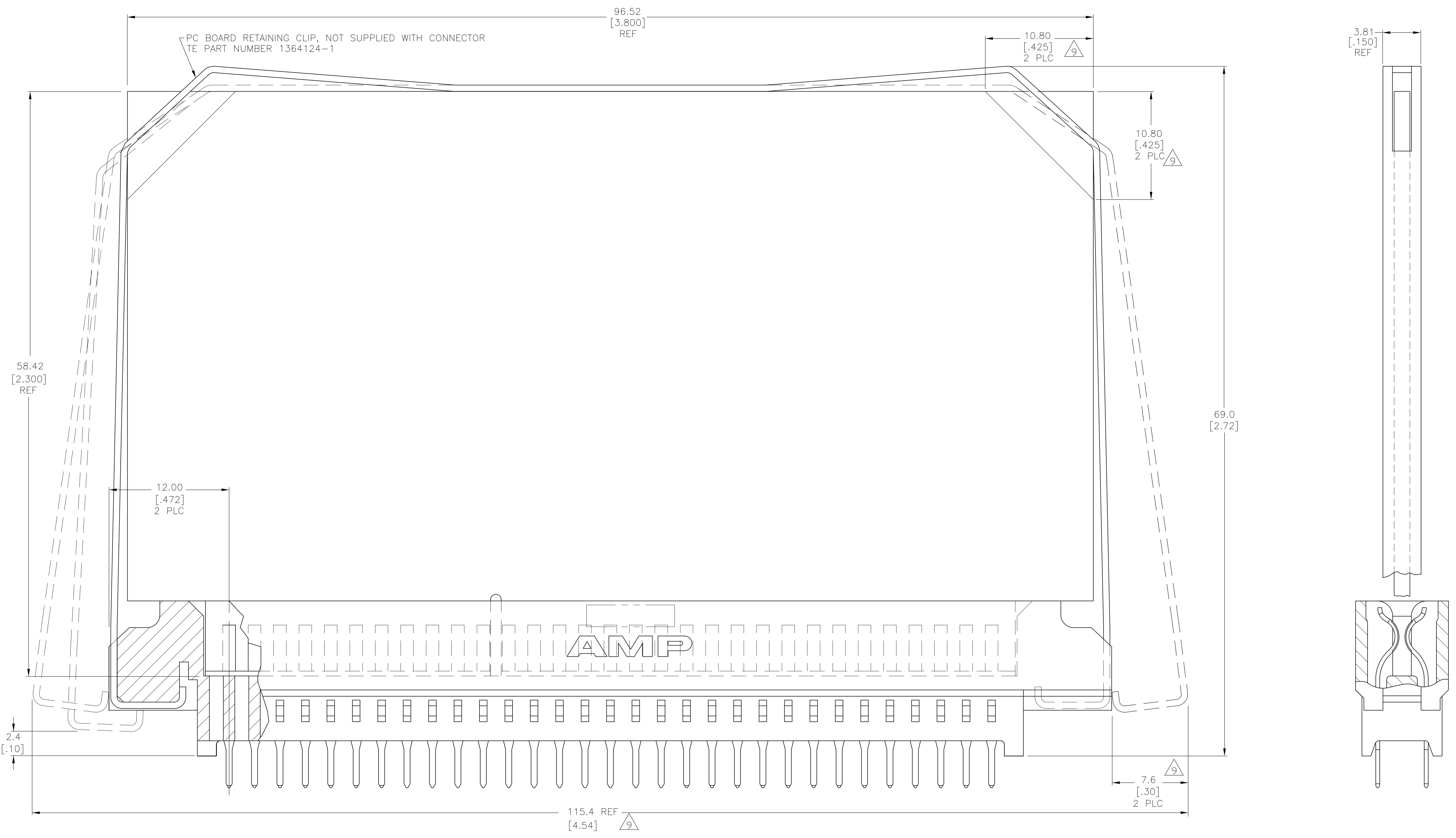
- MATERIAL:
HOUSING: GLASS FILLED POLYESTER; COLOR: BLACK.
CONTACT: PHOS BRONZE
- FINISH:
0.00038[.000015] MIN GOLD PLATE IN CONTACT AREA,
0.00254[.000100] MIN MATTE TIN LEAD ON SOLDER POSTS, ALL
OVER 0.00127[.000050] MIN NICKEL
- AMP LOGO, TE PART NUMBER, DATE CODE AND CSA LOGO INK
STAMPED WHITE (HOT STAMPED OR LAZER PRINTED) IN THE APPROXIMATE
AREA SHOWN, EITHER SIDE PERMISSABLE, WHEN HOUSING SIZE PERMITS
- DATUMS AND BASIC DIMENSIONS ESTABLISHED BY CUSTOMER
- 4 OUNCES OF COPPER REQUIRED
- ELECTRICAL PERFORMANCE OF THIS CONNECTOR IS DIRECTLY RELATED
TO THE VRM 9.0 POWER MODULE BOARD DESIGN AND MAY BE AFFECTED BY
CHANGES TO THAT DESIGN
- CONNECTOR PERFORMANCE IS BASED UPON INFORMATION FROM THE VRM 9.0
AND 9.1 MODULE BOARD DESIGN STANDARD
- CONNECTORS SHOWN ARE USED IN APPLICATIONS WITH VRM MODULES WEIGHING
UP TO 6 OUNCES. ALTERNATIVE CONNECTOR AND LATCHING METHOD IS AVAILABLE
FOR VRM MODULES WEIGHING 3 OUNCES AND LESS. CONSULT TYCO ELECTRONICS
ENGINEERING FOR ADDITIONAL INFORMATION
- KEEP OUT ZONE APPLIES TO BOTH SIDES OF PC BOARD (FRONT AND BACK)
- OBSOLETE PARTS: OBSOLETE CIS STREAMLINING PER D.RENAUD/D.SINISI
- OBSOLETE

△ 11	6364125-6
	6364125-5
	6364125-2
PART NUMBER	

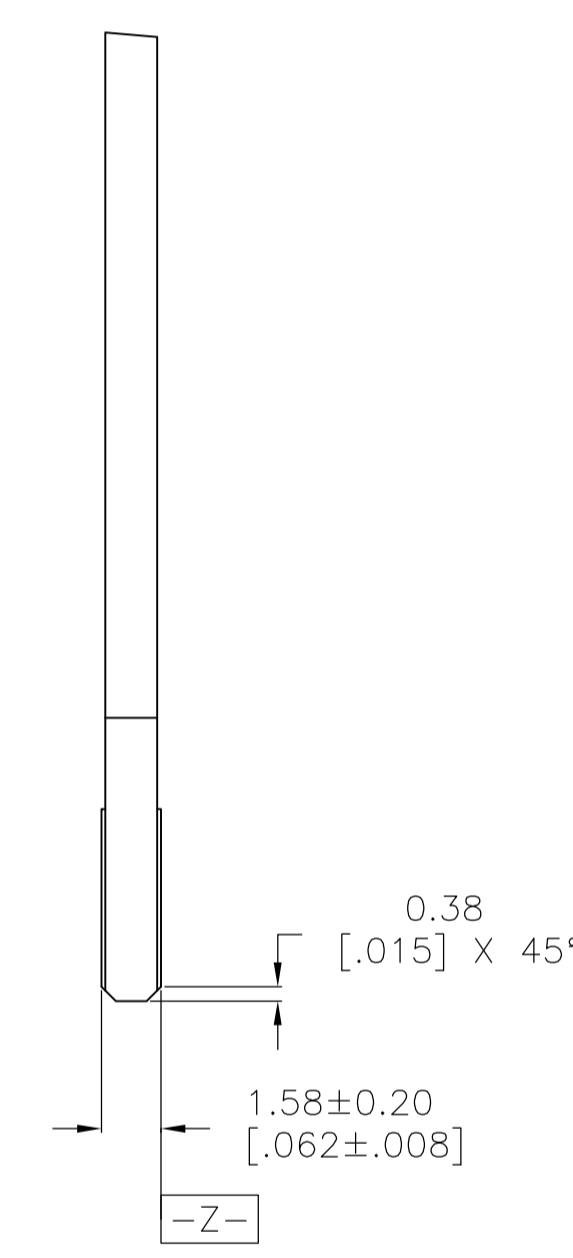
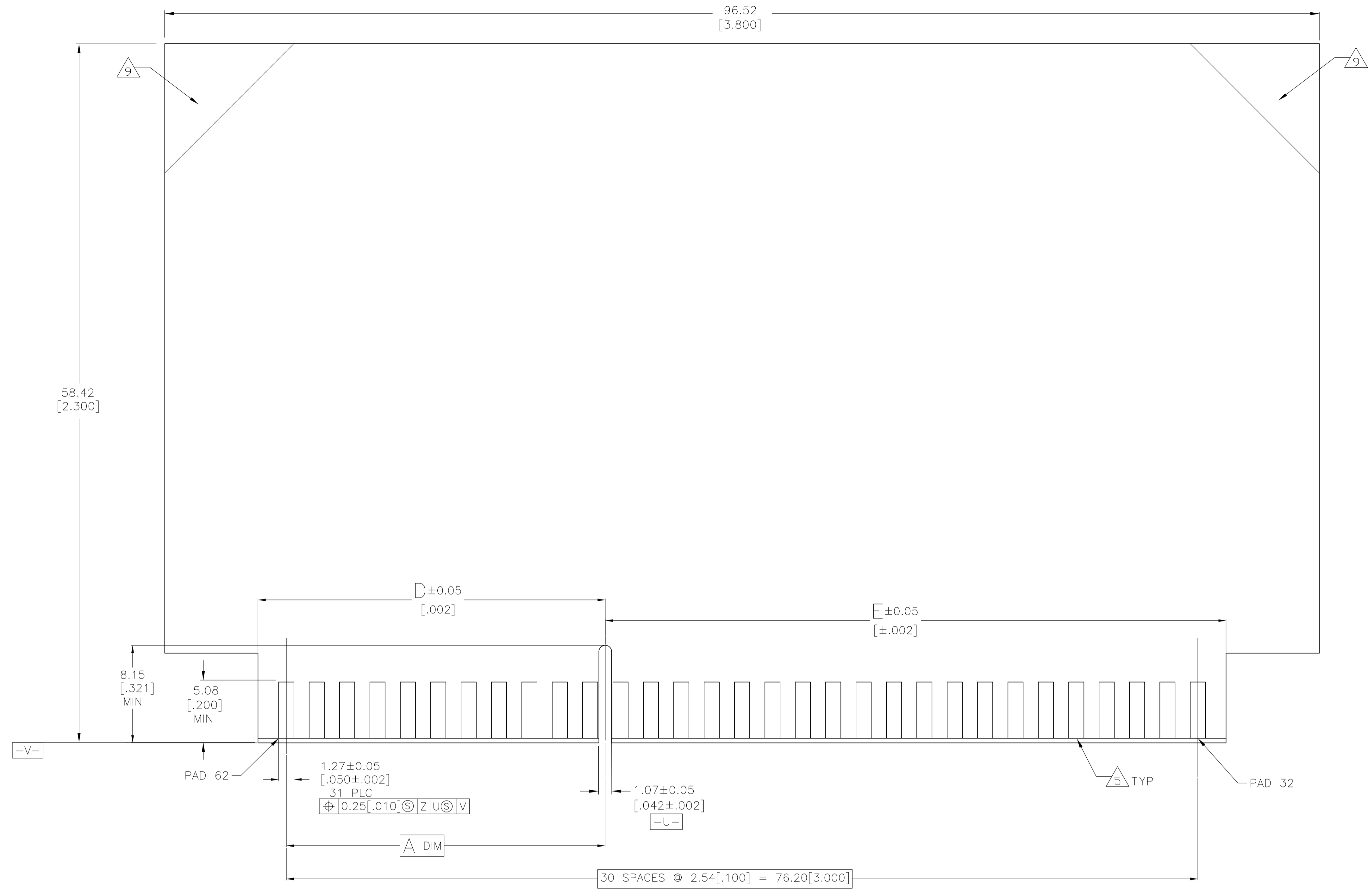
△ 10	OBSOLETE	2,3,29,30,33,34,60,61	+12V	55	7 & 8	62.06 [2.443]	18.87 [.743]	16.51 [.650]	31	6364125-4
		2,3,29,30,33,34,60,61	9.0, +12V	6	11 & 12	51.90 [2.043]	29.03 [1.143]	26.67 [1.050]	31	6364125-1
		RETENTION FEATURE LOCATION	VRM DESIGNATION	OMITTED PIN AND HOLE	MOLDED-IN KEYING FEATURE LOCATED BETWEEN PINS	E	D	A	NO OF DUAL POSITIONS	PART NUMBER

THIS DRAWING IS A CONTROLLED DOCUMENT.

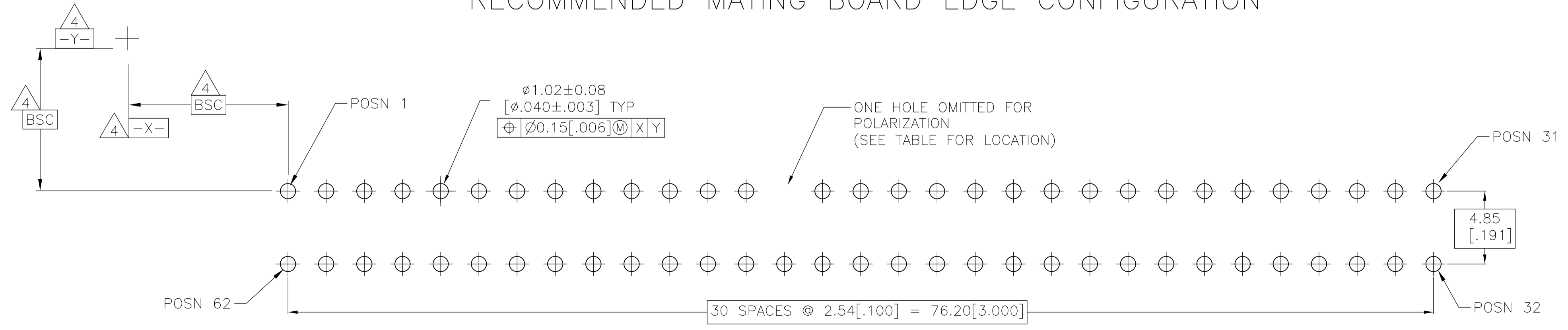
DIMENSIONS: MM [INCHES]	TOLERANCES UNLESS OTHERWISE SPECIFIED:	DIN 31MAR2008 M.B./L.A.MAYER	Tyco Electronics Corporation Harrisburg, PA, 17105-3608
0 PLC ± -	1 PLC ± -	31MAR2008 A.W.FRANTUM	
2 PLC ± 0.25 [01]	3 PLC ± -	31MAR2008 S.FLICKINGER	NAME: CONNECTOR ASSEMBLY, STANDARD EDGE II, 31 DUAL POSITION 2.54 [100] CENTERLINE
4 PLC ± -	ANGLES ± ±	PRODUCT SPEC 108-9039-1	SIZE: A1
MATERIAL SEE NOTE 1	FINISH SEE NOTE 2	APPLICATION SPEC 114-13018	SCALE: 5:1
		WEIGHT: -	SHEET 1 OF 3
		CUSTOMER DRAWING	REV B1



THIS DRAWING IS A CONTROLLED DOCUMENT.		DIN M.B./L.A.MAYER 31MAR2008	Tyco Electronics Corporation Harrisburg, PA, 17105-3608	
DIMENSIONS: MM [INCHES]		CHK A.W.FRANTUM 31MAR2008	NAME S.FLICKINGER	
TOLERANCES UNLESS OTHERWISE SPECIFIED:		PRODUCT SPEC		
0 PLC ± -		108-9039-1		
1 PLC ± -		APPLICATION SPEC		
2 PLC ± 0.25 [.01]		114-13018		
3 PLC ± -		SIZE	CAGE CODE	DRAWING NO
4 PLC ± -		A1	00779	6364125
ANGLES ± ± °		RESTRICTED TO		
MATERIAL SEE NOTE 1	FINISH SEE NOTE 2	WEIGHT	CUSTOMER DRAWING	
			SCALE 5:1	SHEET 2 OF 3 REV B1



RECOMMENDED MATING BOARD EDGE CONFIGURATION



RECOMMENDED PC BOARD HOLE LAYOUT

THIS DRAWING IS A CONTROLLED DOCUMENT.		DIN M.B./L.A.MAYER 31MAR2008	Tyco Electronics Corporation Harrisburg, PA, 17105-3608	
DIMENSIONS: MM [INCHES]		CHK A.W.FRANTUM 31MAR2008	Tyco Electronics	
TOLERANCES UNLESS OTHERWISE SPECIFIED:		APVD S.FLICKINGER 31MAR2008	NAME	
0 PLC ± -		PRODUCT SPEC		
1 PLC ± -		108-9039-1		
2 PLC ± 0.25 [.01]		APPLICATION SPEC		
3 PLC ± -		114-13018		
4 PLC ± -		SIZE CAGE CODE DRAWING NO		
ANGLES ± ± °		A1 00779 C=6364125		
MATERIAL SEE NOTE 1	FINISH SEE NOTE 2	WEIGHT -	CUSTOMER DRAWING	RESTRICTED TO
		SCALE 5:1	SHEET 3 OF 3	REV B1