



Chipsmall Limited consists of a professional team with an average of over 10 year of expertise in the distribution of electronic components. Based in Hongkong, we have already established firm and mutual-benefit business relationships with customers from,Europe,America and south Asia,supplying obsolete and hard-to-find components to meet their specific needs.

With the principle of “Quality Parts,Customers Priority,Honest Operation,and Considerate Service”,our business mainly focus on the distribution of electronic components. Line cards we deal with include Microchip,ALPS,ROHM,Xilinx,Pulse,ON,Everlight and Freescale. Main products comprise IC,Modules,Potentiometer,IC Socket,Relay,Connector.Our parts cover such applications as commercial,industrial, and automotives areas.

We are looking forward to setting up business relationship with you and hope to provide you with the best service and solution. Let us make a better world for our industry!



Contact us

Tel: +86-755-8981 8866 Fax: +86-755-8427 6832

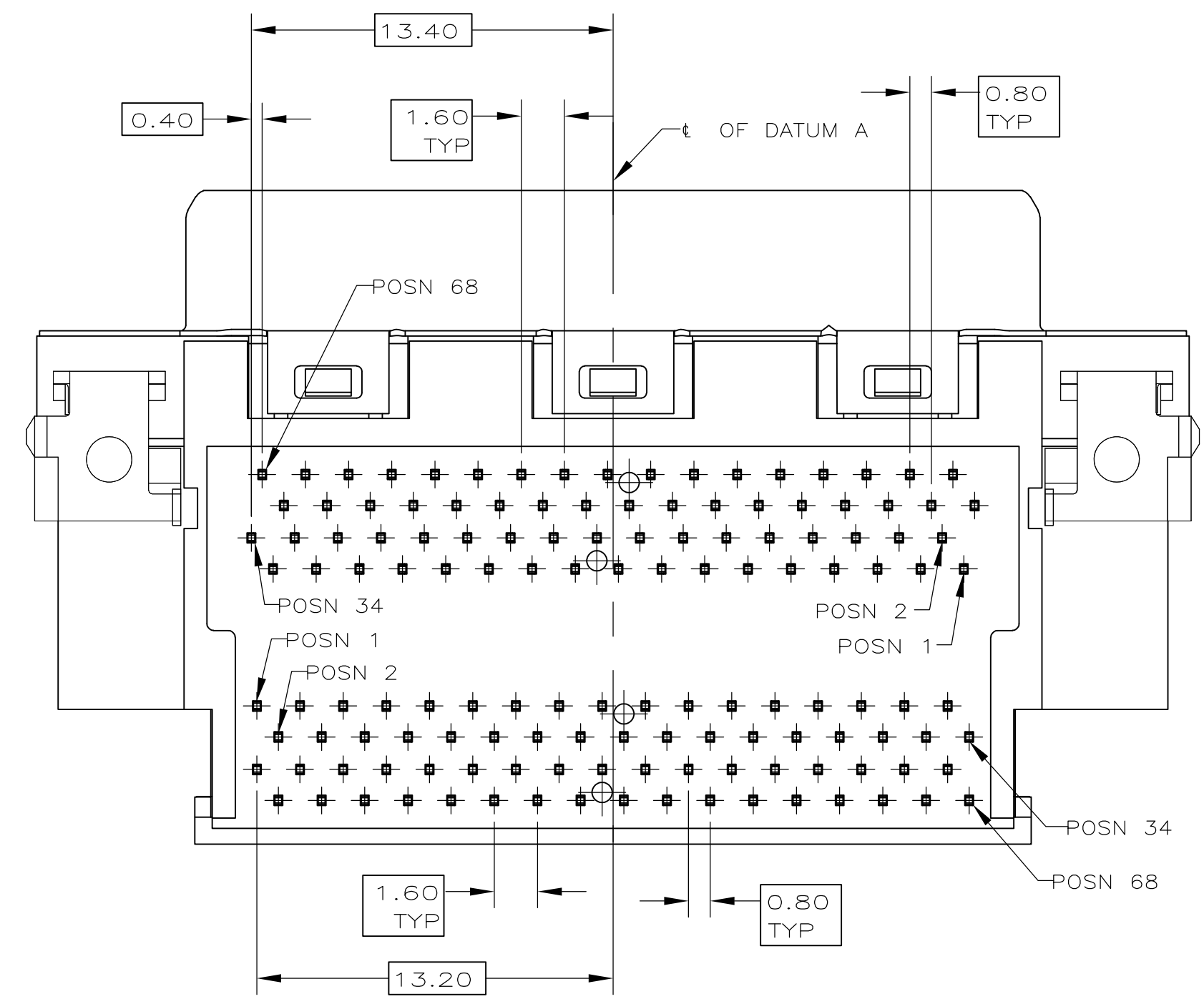
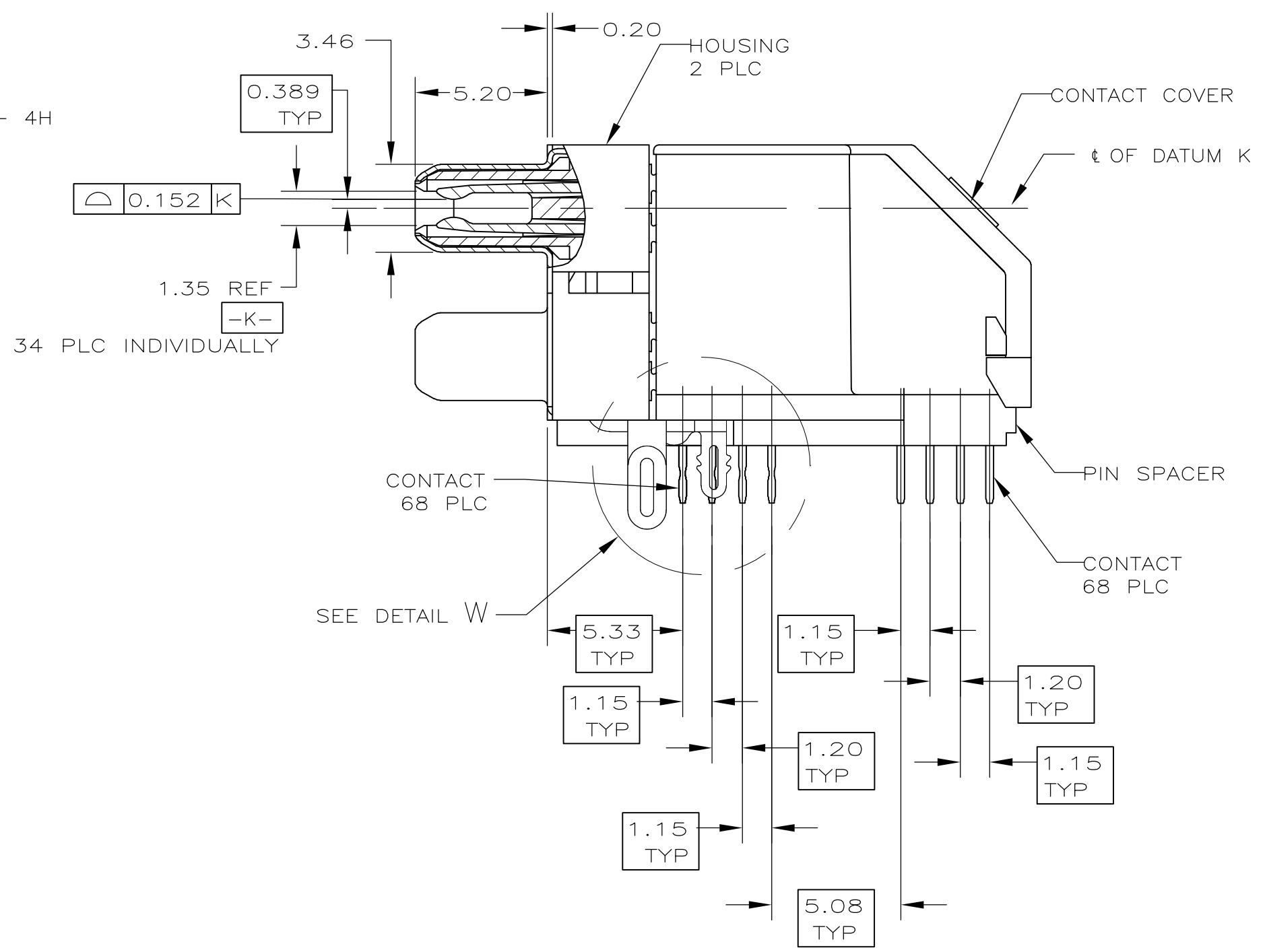
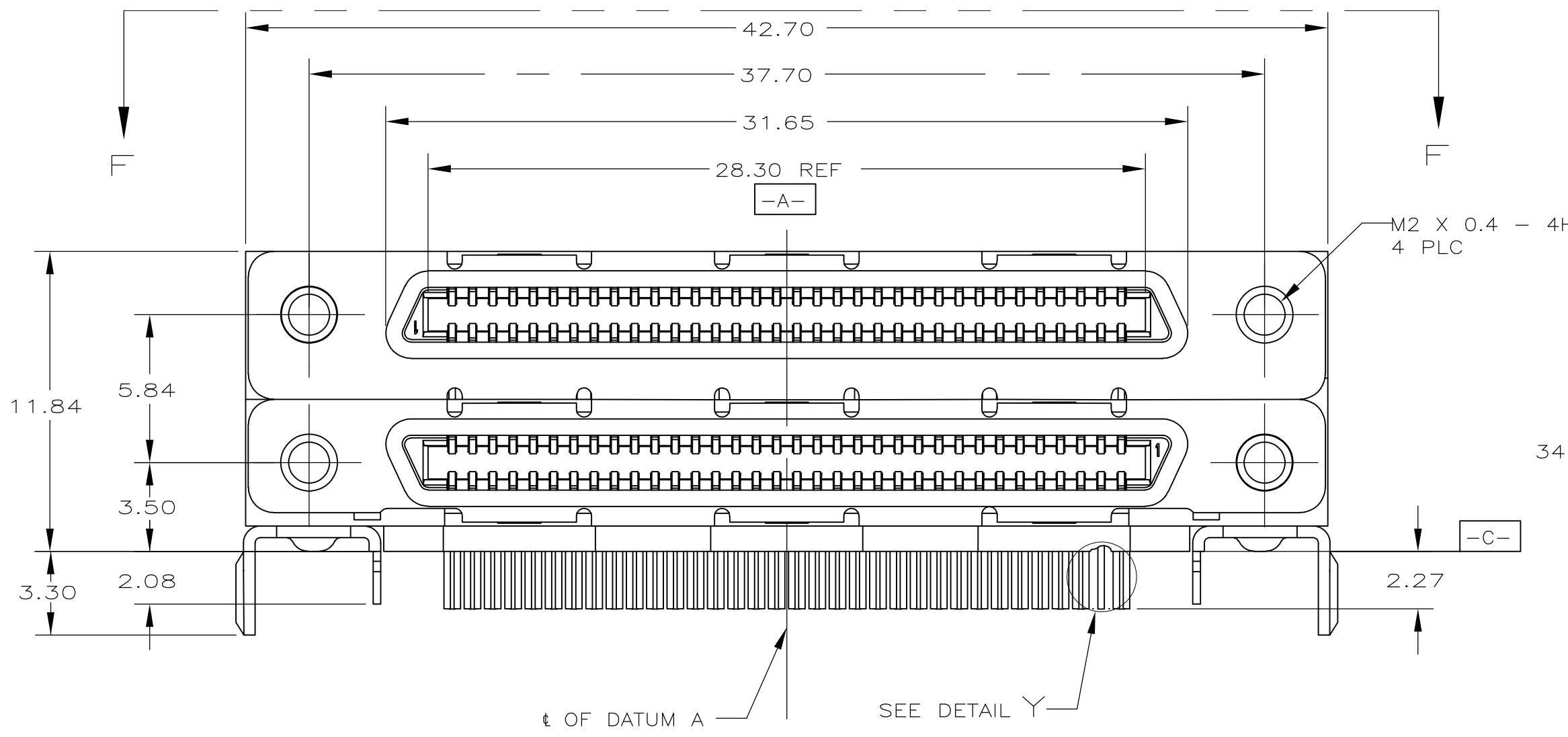
Email & Skype: info@chipsmall.com Web: www.chipsmall.com

Address: A1208, Overseas Decoration Building, #122 Zhenhua RD., Futian, Shenzhen, China



THIS DRAWING IS UNPUBLISHED. RELEASED FOR PUBLICATION 20--
 © COPYRIGHT 20-- BY TYCO ELECTRONICS CORPORATION. ALL INTERNATIONAL RIGHTS RESERVED.

LOC		DIST		REVISIONS			
P	LTR	DESCRIPTION	DATE	DWN	APVD		
GP	00	B	REVISED PER ECO-09-001695	8FEB2009	ZMR	EDB	



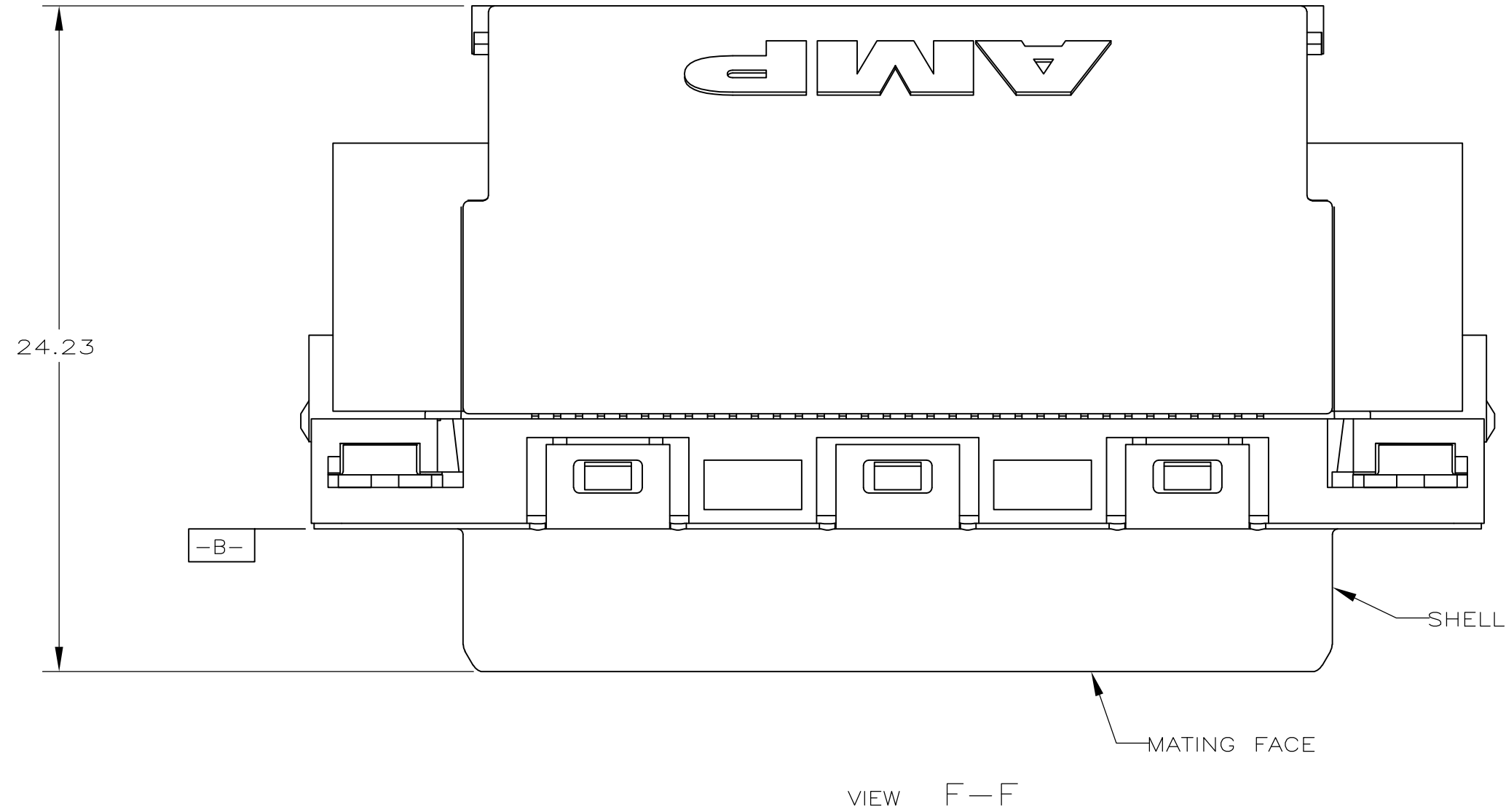
**COPYRIGHT 2005
 TYCO ELECTRONICS CORP
 ALL RIGHTS RESERVED**

REMARKS	6364306-1 PART NUMBER
---------	--------------------------

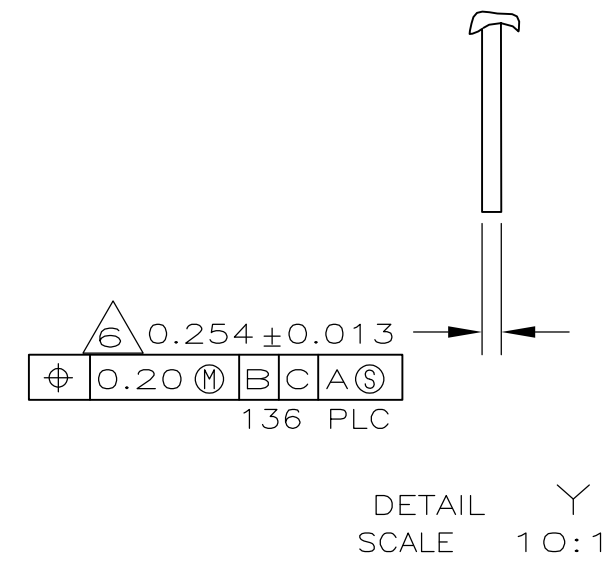
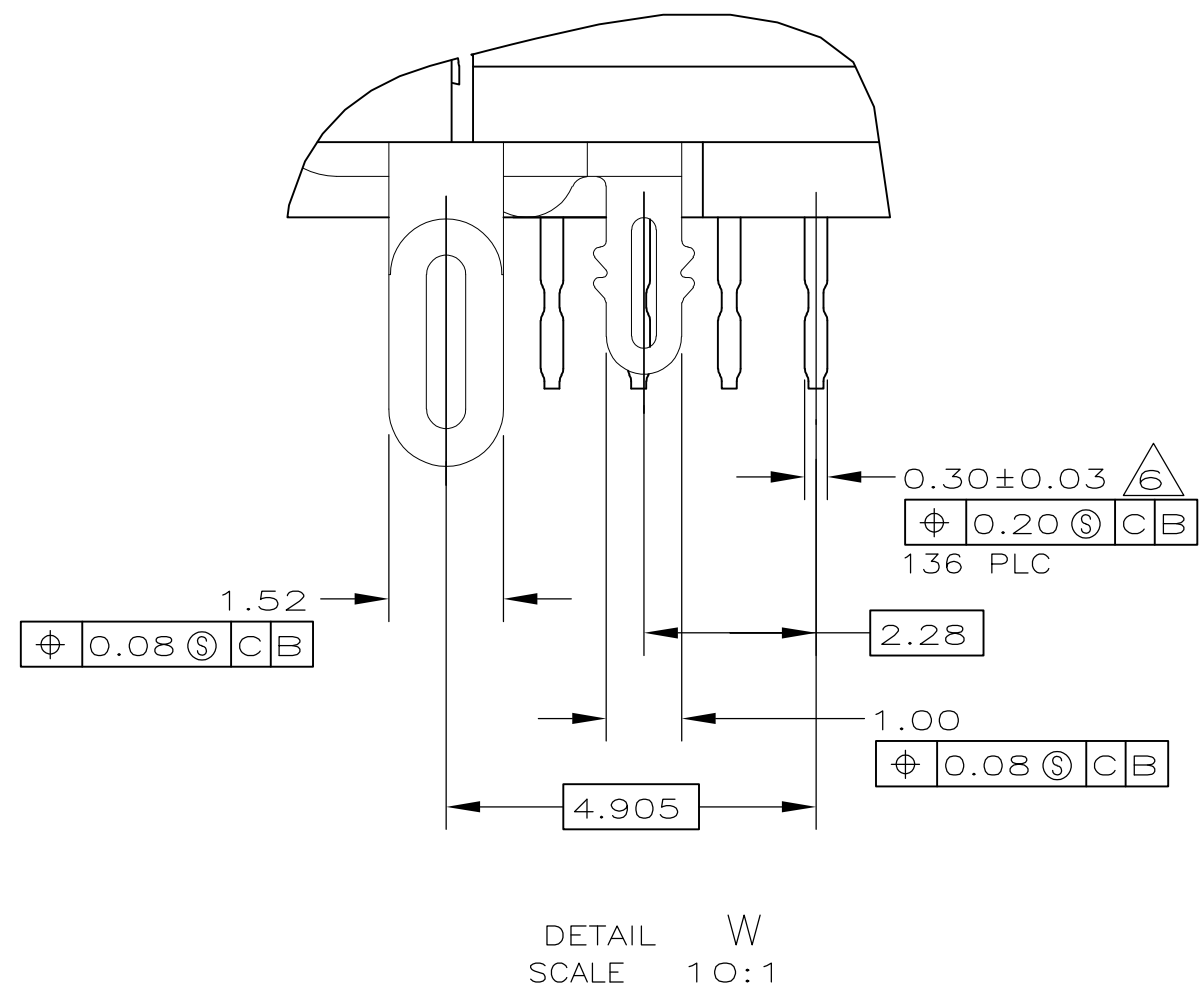
THIS DRAWING IS A CONTROLLED DOCUMENT.		DWN J. ALCORTA - DOCK5 08-02-05	Tyco Electronics Corporation Harrisburg, PA 17105-3608	
DIMENSIONS: mm		CHK S. SHUEY 08-02-05	NAME	
TOLERANCES UNLESS OTHERWISE SPECIFIED:		APVD M. WALMSLEY 08-02-05	RECEPTACLE ASSEMBLY, 68 POSITION, STACKED, COVERED CONTACTS, RIGHT ANGLE, CHAMP 0.8mm	
0 PLC ± -		PRODUCT SPEC	108-1471-1	RESTRICTED TO
1 PLC ± -		APPLICATION SPEC	114-6057	
2 PLC ± 0.13		WEIGHT	-	
3 PLC ± -		SIZE	A2	
4 PLC ± -		CAGE CODE	00779	
ANGLES ± 1°		DRAWING NO	C=6364306	
FINISH		SCALE	5:1	
MATERIAL		SHEET	1 of 3	
CUSTOMER DRAWING		REV	B	

THIS DRAWING IS UNPUBLISHED. RELEASED FOR PUBLICATION 20--
 © COPYRIGHT 20-- BY TYCO ELECTRONICS CORPORATION. ALL RIGHTS RESERVED.

LOC	DIST	REVISIONS			
P	LTR	DESCRIPTION	DATE	DWN	APVD
GP	00	SEE SHEET 1	-	-	-

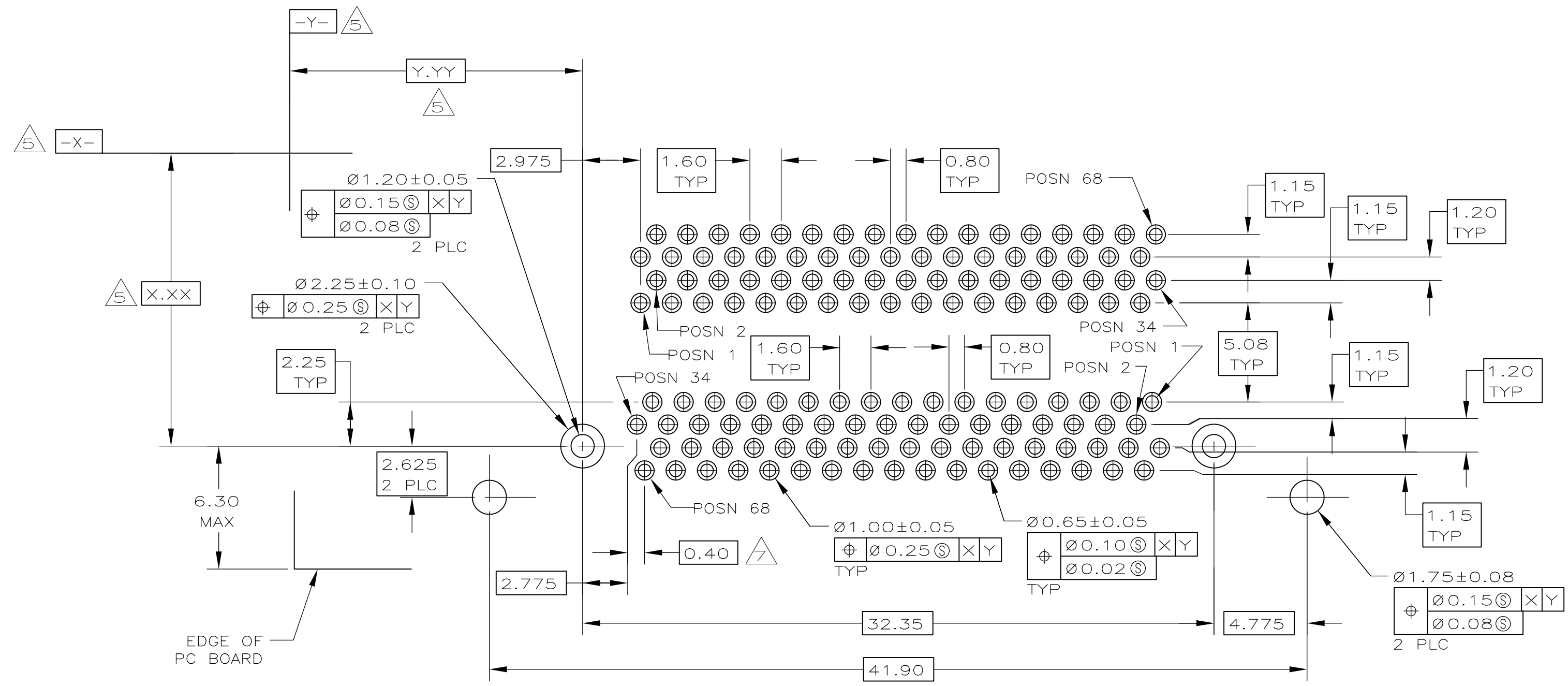


- ① MOLDED PARTS: THERMOPLASTIC, BLACK, UL 94V-0 RATED.
SHELL: CARBON STEEL.
CONTACTS: PHOSPHOR BRONZE.
BRACKETS: STEEL.
- ② SHELL: 5.08µm MIN NICKEL OVER 2.54µm MIN COPPER.
CONTACTS: 0.76µm MIN GOLD ON MATING END, 3.75µm MIN TIN ON SOLDER TAILS, BOTH OVER 1.27µm MIN NICKEL ON ENTIRE CONTACT.
BRACKETS: TIN PLATED.
- ③ CONTACTS DESIGNED FOR USE ON 1.60±0.15 THICK PC BOARD WITH PLATED THRU MOUNTING HOLES.
- ④ RECEPTACLE ASSEMBLY DESIGNED FOR USE WITH 1.12±0.08 THICK PANEL.
- ⑤ DATUMS AND DIMENSIONS ESTABLISHED BY CUSTOMER.
- ⑥ POSITION TOLERANCE APPLIES AT CONTACT TIP ONLY.
- ⑦ OFFSET DIMENSION APPLIES TO LOWER FOOTPRINT ONLY.

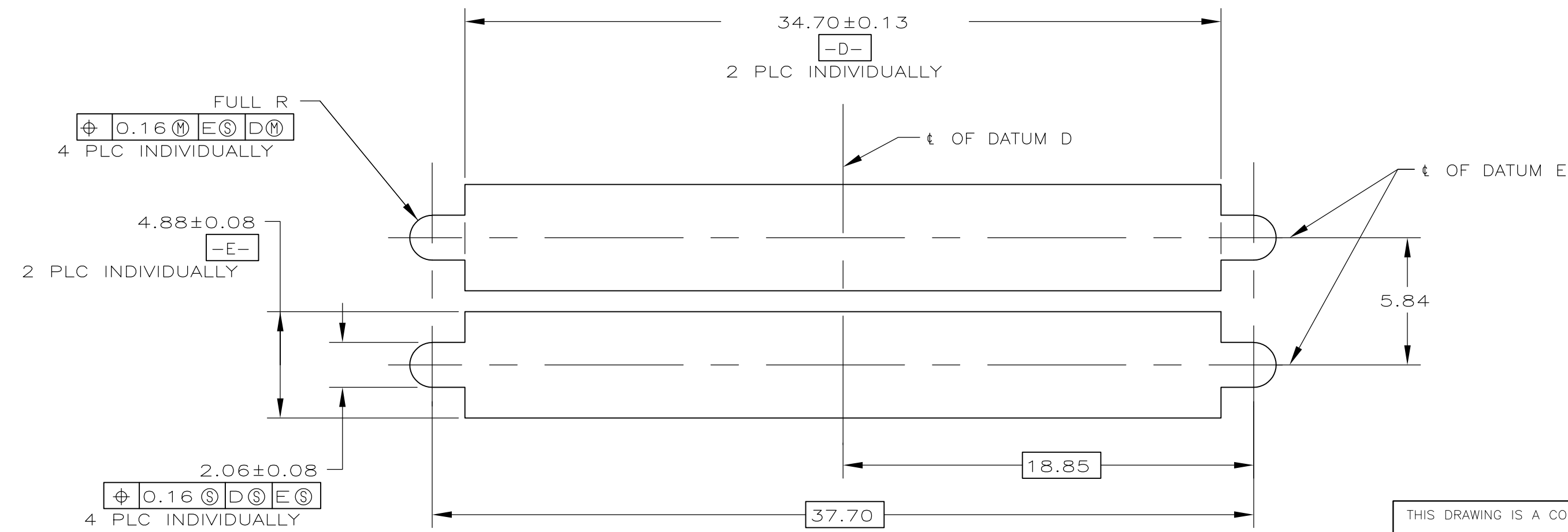


THIS DRAWING IS A CONTROLLED DOCUMENT.		DWN J. ALCORTA - DOCK5 08-02-05	Tyco Electronics Corporation Harrisburg, PA 17105-3608	
DIMENSIONS: mm		CHK S. SHUEY 08-02-05	NAME RECEPTACLE ASSEMBLY, 68 POSITION, STACKED, COVERED CONTACTS, RIGHT ANGLE, CHAMP 0.8mm	
TOLERANCES UNLESS OTHERWISE SPECIFIED: 0 PLC ± - 1 PLC ± - 2 PLC ± 0.13 3 PLC ± - 4 PLC ± - ANGLES ± 1°		APVD M. WALMSLEY 08-02-05	PRODUCT SPEC -	RESTRICTED TO -
MATERIAL -		FINISH -	WEIGHT -	SIZE A2
		CAGE CODE 00779		DRAWING NO C=6364306
		CUSTOMER DRAWING		SCALE 5:1 SHEET 2 of 3 REV B

LOC	DIST	REVISIONS					
GP	00	P	LTR	DESCRIPTION	DATE	DWN	APVD
		-	-	SEE SHEET 1	-	-	-



PC BOARD MOUNTING DIMENSIONS $\Delta 3$
 SCALE 5:1



PANEL CUT-OUT DIMENSIONS $\Delta 4$
 SCALE 5:1

THIS DRAWING IS A CONTROLLED DOCUMENT.		DWN	J. ALCORTA - DOCK5	08-02-05	Tyco Electronics	Tyco Electronics Corporation		
		CHK	S. SHUEY	08-02-05		Harrisburg, PA 17105-3608		
		APVD	M. WALMSLEY	08-02-05	NAME			
		PRODUCT SPEC			RECEPTACLE ASSEMBLY, 68 POSITION, STACKED, COVERED CONTACTS, RIGHT ANGLE, CHAMP 0.8mm			
		APPLICATION SPEC			SIZE	CAGE CODE	DRAWING NO	RESTRICTED TO
		WEIGHT			A2	00779	C=6364306	-
		CUSTOMER DRAWING			SCALE	5:1	SHEET	3 of 3
							REV	B