



Chipsmall Limited consists of a professional team with an average of over 10 year of expertise in the distribution of electronic components. Based in Hongkong, we have already established firm and mutual-benefit business relationships with customers from,Europe,America and south Asia,supplying obsolete and hard-to-find components to meet their specific needs.

With the principle of “Quality Parts,Customers Priority,Honest Operation,and Considerate Service”,our business mainly focus on the distribution of electronic components. Line cards we deal with include Microchip,ALPS,ROHM,Xilinx,Pulse,ON,Everlight and Freescale. Main products comprise IC,Modules,Potentiometer,IC Socket,Relay,Connector.Our parts cover such applications as commercial,industrial, and automotives areas.

We are looking forward to setting up business relationship with you and hope to provide you with the best service and solution. Let us make a better world for our industry!



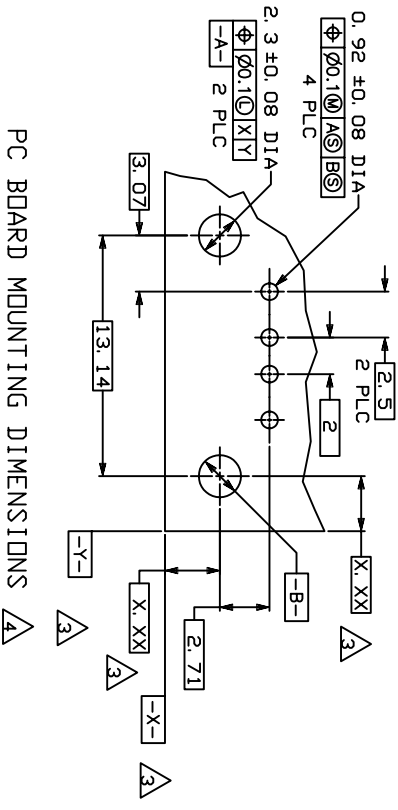
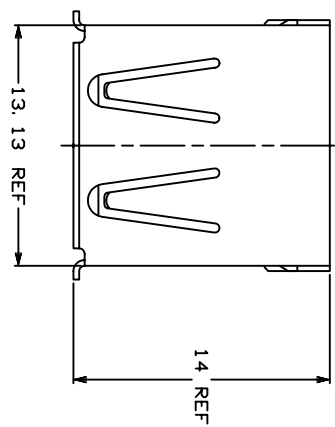
## Contact us

Tel: +86-755-8981 8866 Fax: +86-755-8427 6832

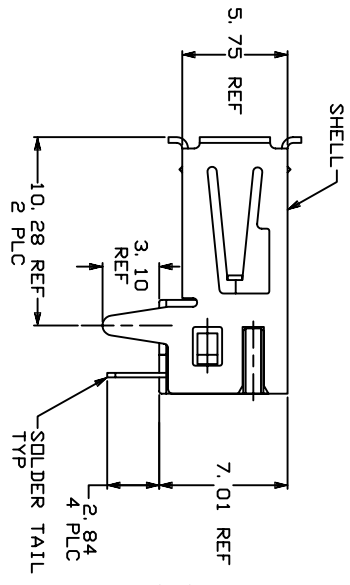
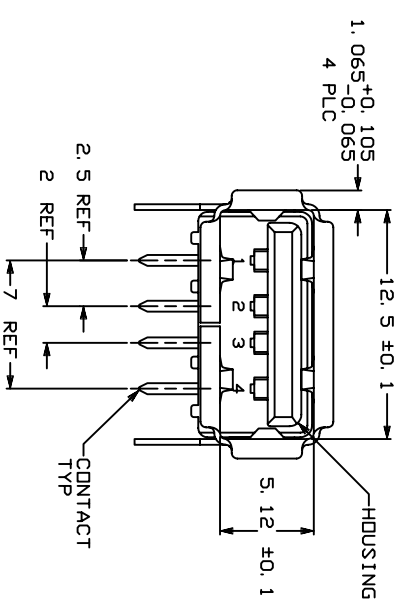
Email & Skype: info@chipsmall.com Web: www.chipsmall.com

Address: A1208, Overseas Decoration Building, #122 Zhenhua RD., Futian, Shenzhen, China





PC BOARD MOUNTING DIMENSIONS



△ MATERIAL:  
SHELL & CONTACTS- COPPER ALLOY.  
HOUSING- UL 94V-0 RATED, THERMOPLASTIC. COLOR SEE TABLE.

△ PLATING:  
CONTACTS- 0.076um MINIMUM GOLD OVER 0.76um MINIMUM PALLADIUM-NICKEL ON MATING AREA.  
3.8um MINIMUM MATTE TIN ON SOLDER TAILS.  
BOTH OVER 1.27um MINIMUM NICKEL.  
CONTACT ALTERNATE PLATING: 0.76um MIN GOLD ON MATING AREA, 3.80um MIN MATTE TIN ON SOLDER TAILS, BOTH OVER 1.27um MIN NICKEL.  
SHELL: 2-5um MINIMUM BRIGHT TIN

△ DATUM AND BASIC DIMENSIONS ESTABLISHED BY CUSTOMER. RECOMMENDED PC BOARD THICKNESS OF 1.57.

YES	NATURAL	6364372-2
NO	BLACK	6364372-1
HIGH TEMPERATURE COMPATIBLE	HOUSING COLOR	PART NUMBER

THIS DRAWING IS A CONTROLLED DOCUMENT.

DATE	12/29/04	REV	004
CHK	SYAO	12/29/04	004
DESIGNER	SYAO	DATE	12/29/04
PRODUCT	RECEPTACLE ASSEMBLY, RIGHT ANGLE, 4 POSITION, THRU-HOLE, USB	SIZE	A2
APPLICATION SPEC		CODE	00779
WEIGHT		REV	001
CUSTOMER DRAWING		SCALE	5:1
		SHEET	1 of 1
		REV	A

6364372