



Chipsmall Limited consists of a professional team with an average of over 10 year of expertise in the distribution of electronic components. Based in Hongkong, we have already established firm and mutual-benefit business relationships with customers from,Europe,America and south Asia,supplying obsolete and hard-to-find components to meet their specific needs.

With the principle of “Quality Parts,Customers Priority,Honest Operation,and Considerate Service”,our business mainly focus on the distribution of electronic components. Line cards we deal with include Microchip,ALPS,ROHM,Xilinx,Pulse,ON,Everlight and Freescale. Main products comprise IC,Modules,Potentiometer,IC Socket,Relay,Connector.Our parts cover such applications as commercial,industrial, and automotives areas.

We are looking forward to setting up business relationship with you and hope to provide you with the best service and solution. Let us make a better world for our industry!



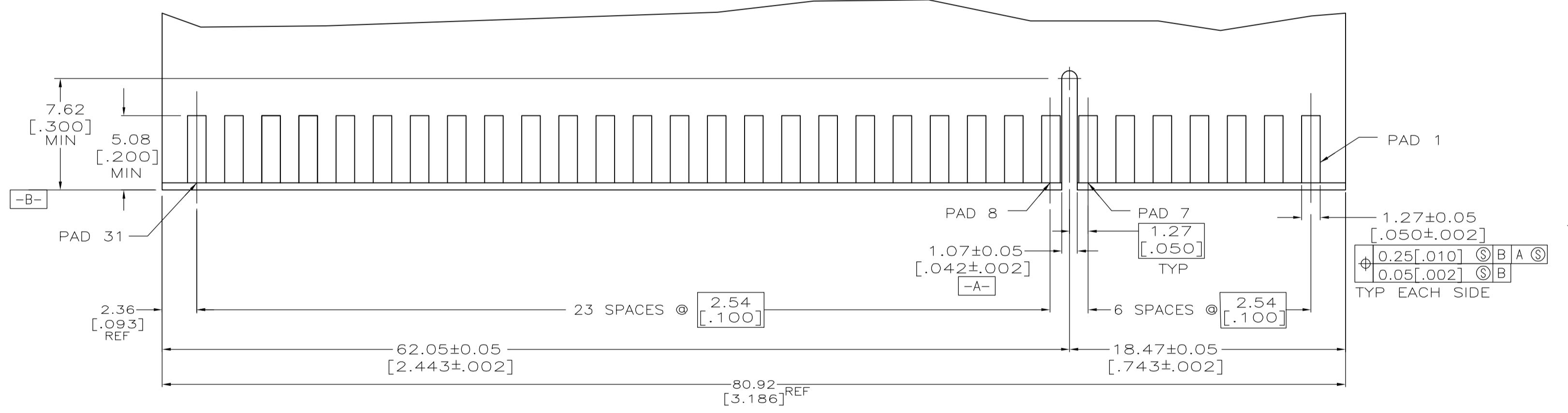
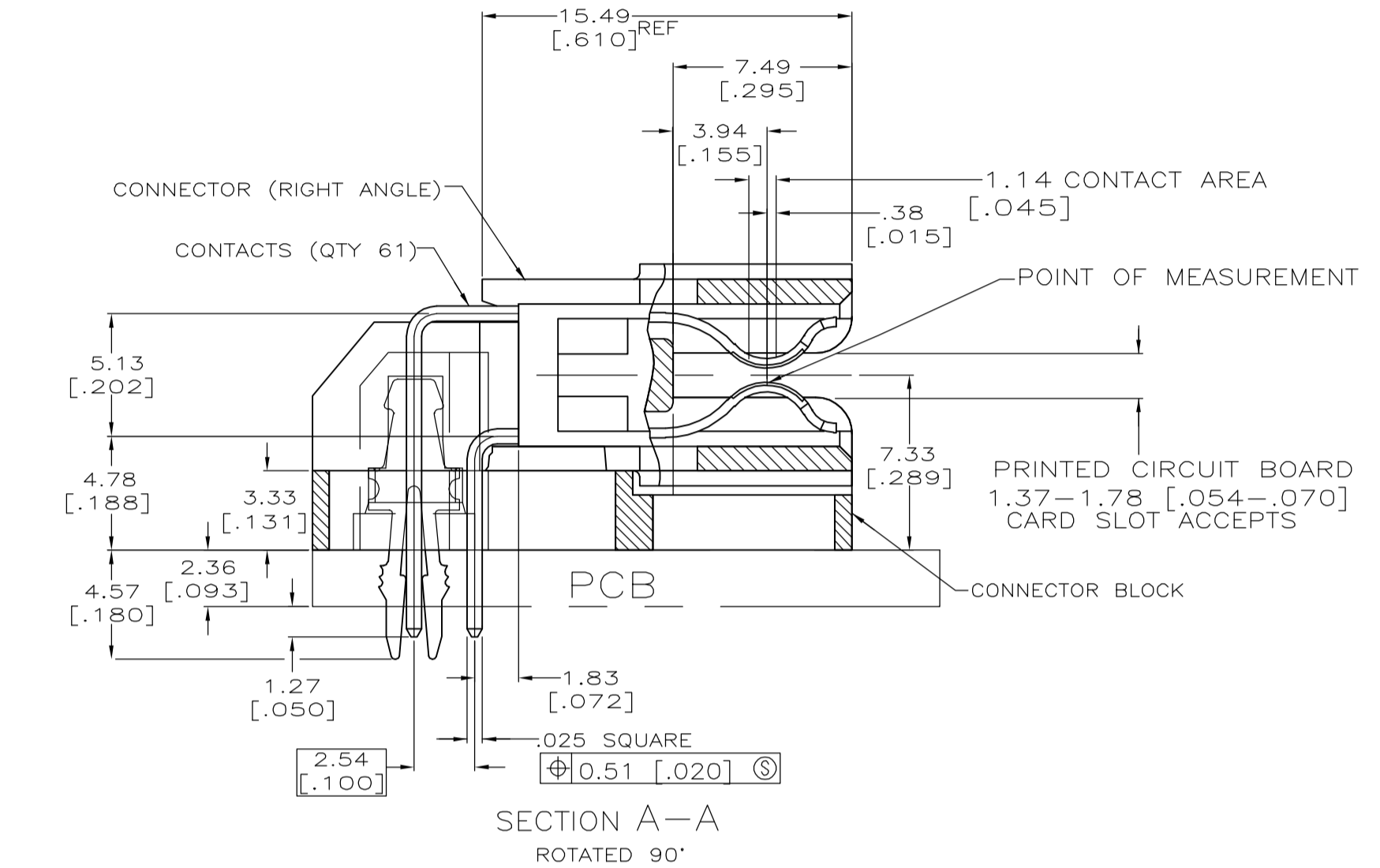
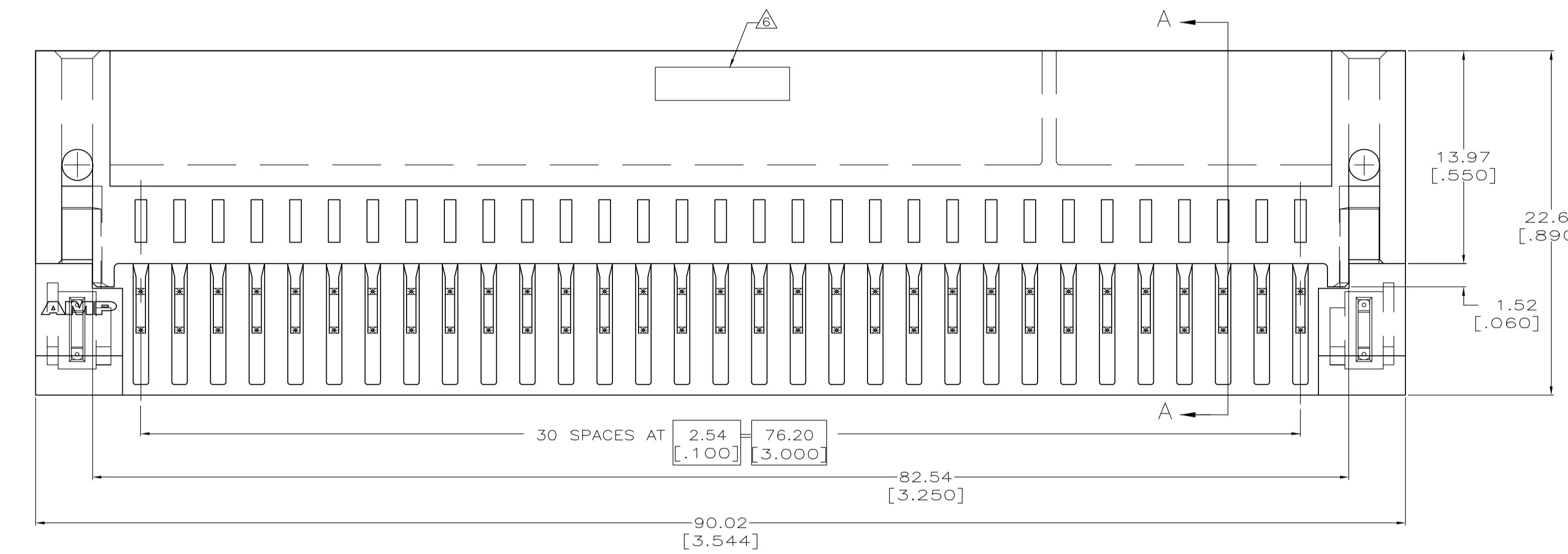
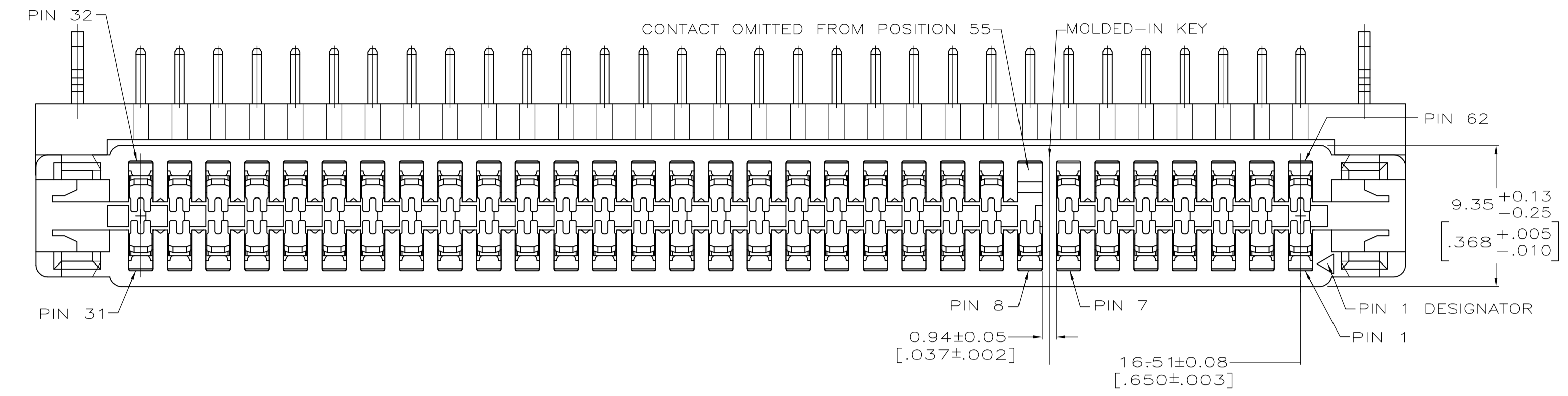
## Contact us

Tel: +86-755-8981 8866 Fax: +86-755-8427 6832

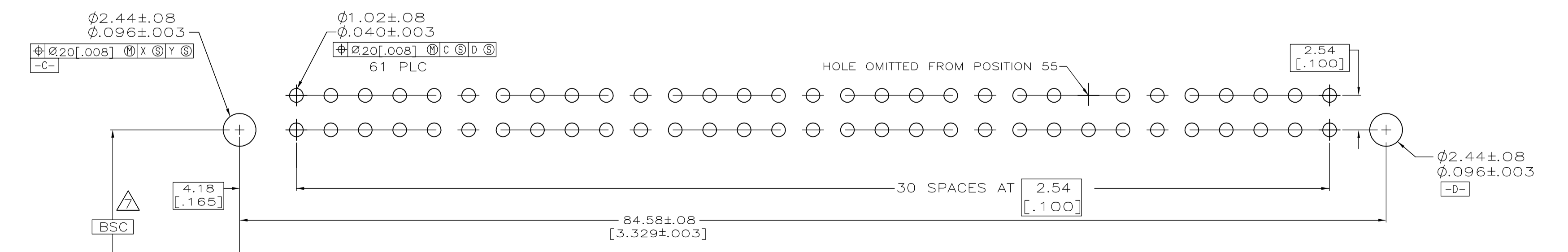
Email & Skype: info@chipsmall.com Web: www.chipsmall.com

Address: A1208, Overseas Decoration Building, #122 Zhenhua RD., Futian, Shenzhen, China





RECOMMENDED MATING BOARD EDGE CONFIGURATION



RECOMMENDED PC BOARD HOLE LAYOUT

- 1 HOUSING AND SUPPORT BLOCK: GLASS FILLED POLYESTER; COLOR: BLACK.
- 2 CONTACT: PHOSPHOR BRONZE.
- 3 NICKEL PLATE: 0.00127 [.000050] MIN - ALL OVER.
- 4 MATTE TIN PLATE: 0.00254 [.000100] MIN - SOLDER POSTS.
- 5 GOLD PLATE: 0.00076 [.000030] MIN - CONTACT AREA.
- 6 AMP PART NUMBER, DATE CODE AND CSA LOGO MAY BE MARKED IN APPROXIMATE AREA SHOWN.
- 7 DATUMS AND BASIC DIMENSIONS ESTABLISHED BY CUSTOMER
- 8. THE MECHANICAL PERFORMANCE OF THIS RIGHT ANGLE CONNECTOR RELIES DIRECTLY ON THE END USER TO SUPPORT THE PC BOARD AND CONNECTOR ASSEMBLY. FAILURE TO DO SO WILL HAVE A NEGATIVE IMPACT ON THE CONNECTORS RELIABILITY.

|            |             |
|------------|-------------|
| 31         | 6364499-1   |
| NO OF POSN | PART NUMBER |

|  |  |  |  |   |  |
|--|--|--|--|---|--|
| THIS DRAWING IS A CONTROLLED DOCUMENT.   |  | DIN AL FRANTUM 17 AUG 05               |  | Tyco Electronics Corporation<br>Harrisburg, Pa 17105-3608 |  |
| DIMENSIONS: mm   |  | CIK AL FRANTUM 17 AUG 05               |  | PRODUCT SPEC  | CONNECTOR ASSEMBLY, RIGHT ANGLE, .100CL, 31 DUAL POSITION WITH SUPPORT BLOCK |
|  |  | TOLERANCES UNLESS OTHERWISE SPECIFIED: |  | APPLICATION SPEC  | 108-9039   |
| 0 PLC ± -<br>1 PLC ± 0.3 [.010]<br>2 PLC ± 0.13 [.005]<br>3 PLC ± -<br>4 PLC ± -<br>ANGLES ± ° |  | MATERIAL                               |  | SIZE  | A1   |
|  |  | FINISH                                 |  | WEIGHT  | -  |
|  |  | DUMS                                   |  | CUSTOMER DRAWING  | SCALE 4:1 SHEET 1 OF 1 REV A   |