



Chipsmall Limited consists of a professional team with an average of over 10 year of expertise in the distribution of electronic components. Based in Hongkong, we have already established firm and mutual-benefit business relationships with customers from,Europe,America and south Asia,supplying obsolete and hard-to-find components to meet their specific needs.

With the principle of "Quality Parts,Customers Priority,Honest Operation,and Considerate Service",our business mainly focus on the distribution of electronic components. Line cards we deal with include Microchip,ALPS,ROHM,Xilinx,Pulse,ON,Everlight and Freescale. Main products comprise IC,Modules,Potentiometer,IC Socket,Relay,Connector.Our parts cover such applications as commercial,industrial, and automotives areas.

We are looking forward to setting up business relationship with you and hope to provide you with the best service and solution. Let us make a better world for our industry!



Contact us

Tel: +86-755-8981 8866 Fax: +86-755-8427 6832

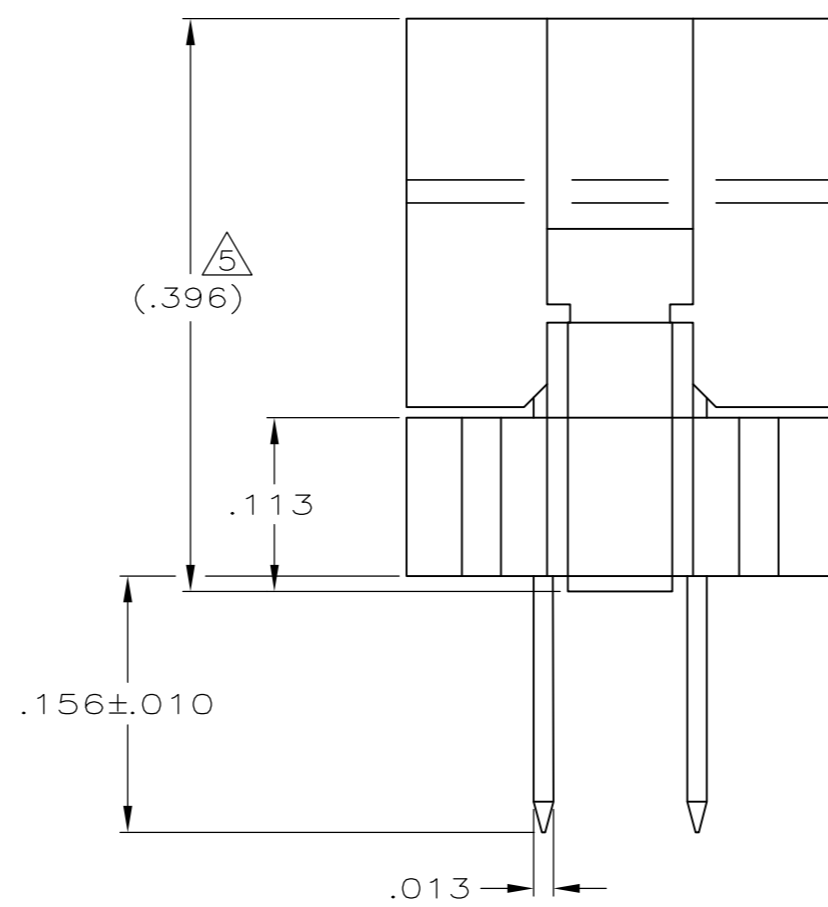
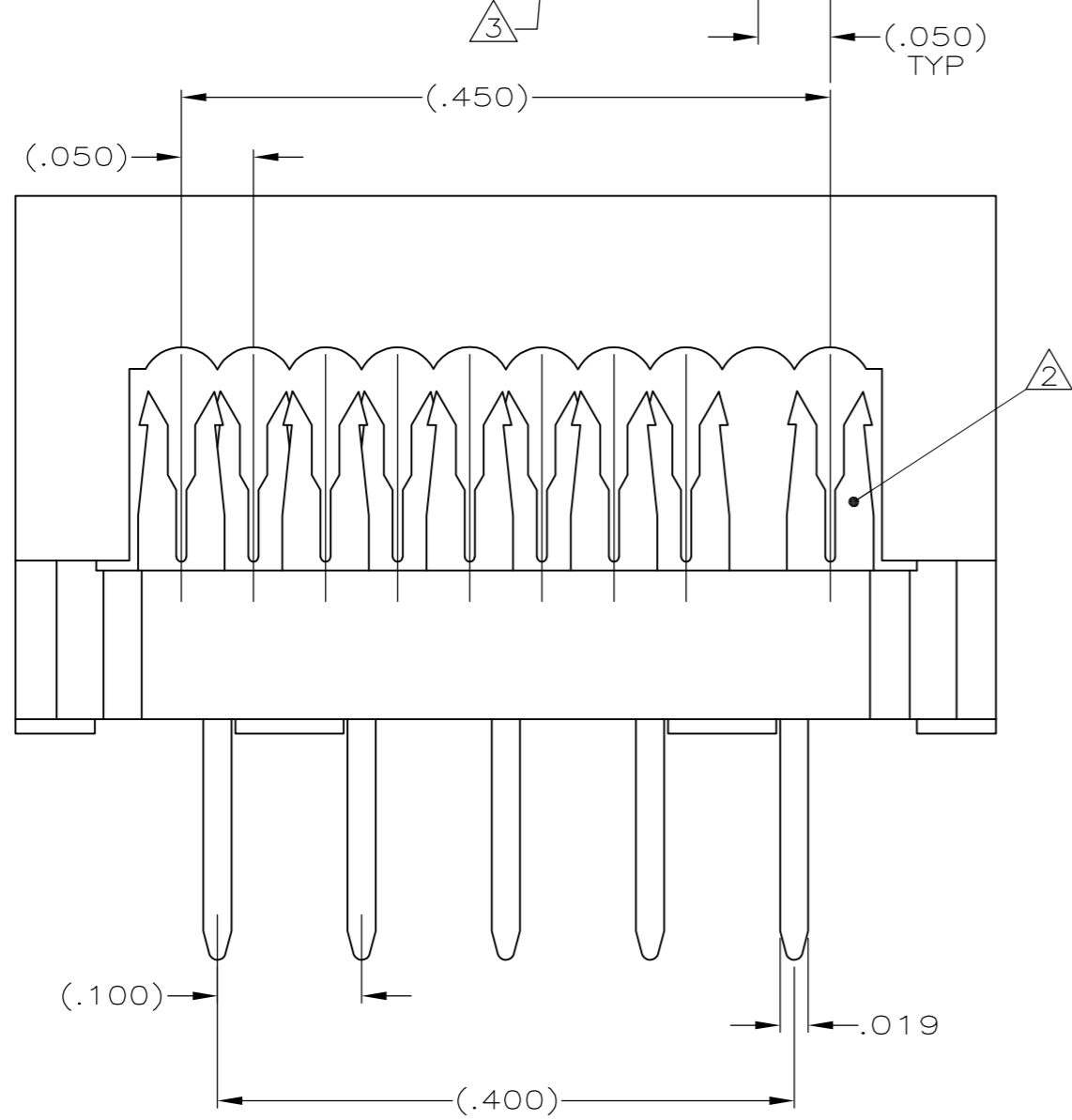
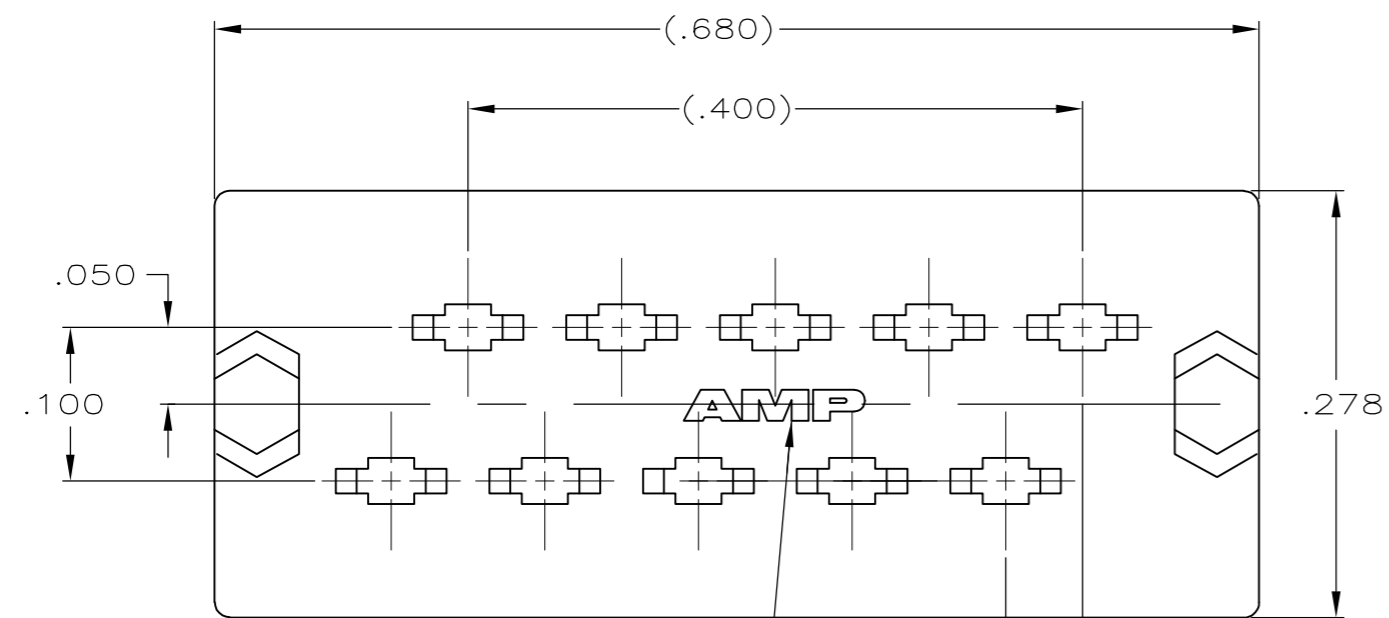
Email & Skype: info@chipsmall.com Web: www.chipsmall.com

Address: A1208, Overseas Decoration Building, #122 Zhenhua RD., Futian, Shenzhen, China

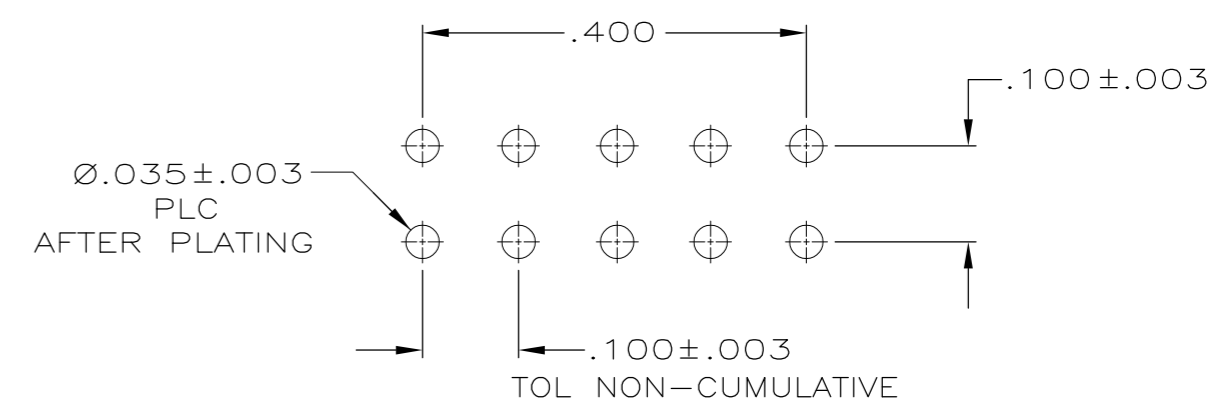


THIS DRAWING IS UNPUBLISHED. RELEASED FOR PUBLICATION
 © COPYRIGHT - By - ALL RIGHTS RESERVED.

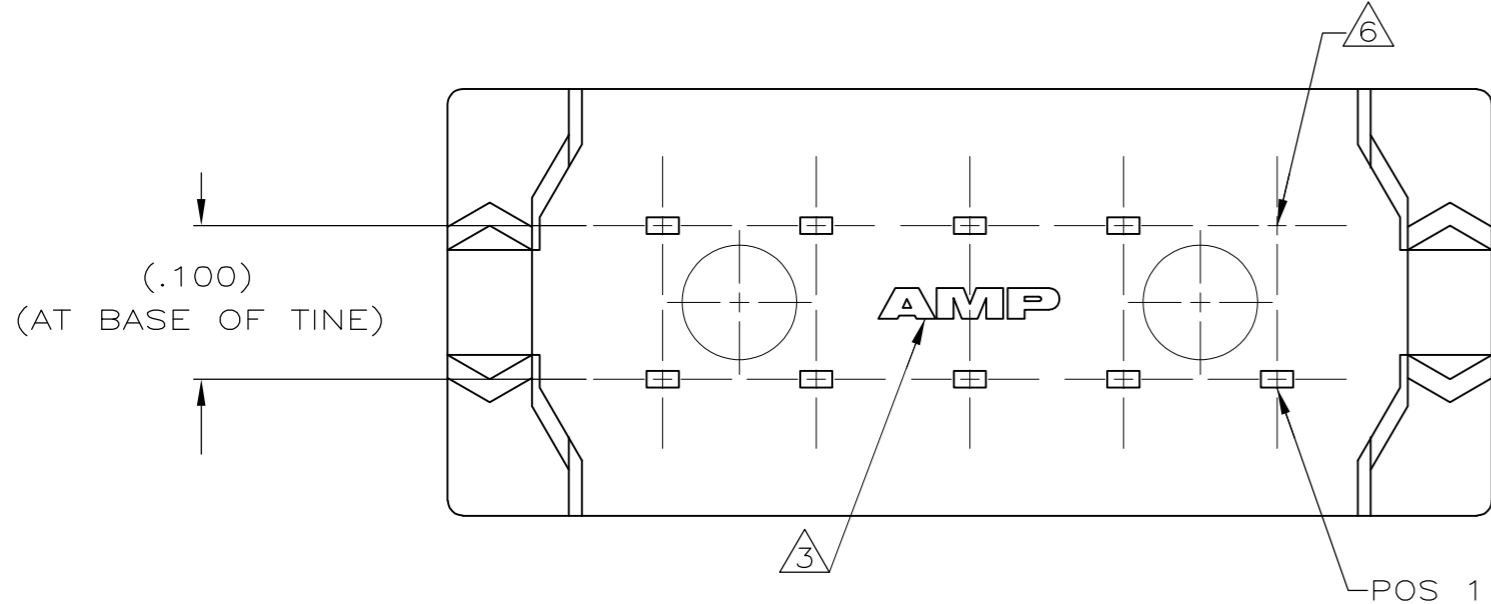
LOC		DIST		REVISIONS			
P	LTR	DESCRIPTION		DATE	DWN	APVD	
GP	00	B		REVISED PER ECO-13-012013	09AUG2013	CJV	CWR



- 1 MOLDED PARTS: 94V-0 RATED THERMOPLASTIC, COLOR: BLACK
CONTACTS: PHOS BRONZE
- 2 CONTACTS DESIGNED FOR 26 & 28 AWG STRANDED OR 26, 28 & 30 AWG SOLID WIRE.
- 3 AMP TRADEMARK LOCATED IN APPROX AREA SHOWN; MAY BE INVERTED.
- 4 .000005 MIN GOLD ON RIBBON CABLE TERMINATION AREA
.000100-.000200 MATTE TIN ON SOLDER TAILS, ALL OVER
.000050 MIN NICKEL.
- 5 HEIGHT AFTER TERMINATION IS .253 REF.
- 6 NO CONTACT IN POSITION 2. POSITION 1 IS ON THE SAME END AS THE MISSING CONTACT.
- 7 ONE HOLE CAN BE ELIMINATED AT CUSTOMER'S LOCATION OF PIN 2.



RECOMMENDED HOLE LAYOUT
SCALE 5:1



10	6364555-1
NO OF POSN	PART NUMBER

THIS DRAWING IS A CONTROLLED DOCUMENT.		DWN	11-29-04	G. ATTADIA - DOCK5	
DIMENSIONS: INCHES		CHK	11-29-04	C. ROHDE	
TOLERANCES UNLESS OTHERWISE SPECIFIED:		APVD	11-29-04	M. WALMSLEY	
0 PLC ± -		PRODUCT SPEC	108-1538		
1 PLC ± -		APPLICATION SPEC	114-40005		
2 PLC ± -		WEIGHT	-		
3 PLC ± .005		SIZE	A2	CAGE CODE	00779
4 PLC ± -		DRAWING NO	C=6364555		
ANGLES ± -		RESTRICTED TO	-		
FINISH		SCALE	8:1		
MATERIAL		SHEET	1 of 1		
1		REV	B		
4		CUSTOMER DRAWING			