



Chipsmall Limited consists of a professional team with an average of over 10 year of expertise in the distribution of electronic components. Based in Hongkong, we have already established firm and mutual-benefit business relationships with customers from,Europe,America and south Asia,supplying obsolete and hard-to-find components to meet their specific needs.

With the principle of “Quality Parts,Customers Priority,Honest Operation,and Considerate Service”,our business mainly focus on the distribution of electronic components. Line cards we deal with include Microchip,ALPS,ROHM,Xilinx,Pulse,ON,Everlight and Freescale. Main products comprise IC,Modules,Potentiometer,IC Socket,Relay,Connector.Our parts cover such applications as commercial,industrial, and automotives areas.

We are looking forward to setting up business relationship with you and hope to provide you with the best service and solution. Let us make a better world for our industry!



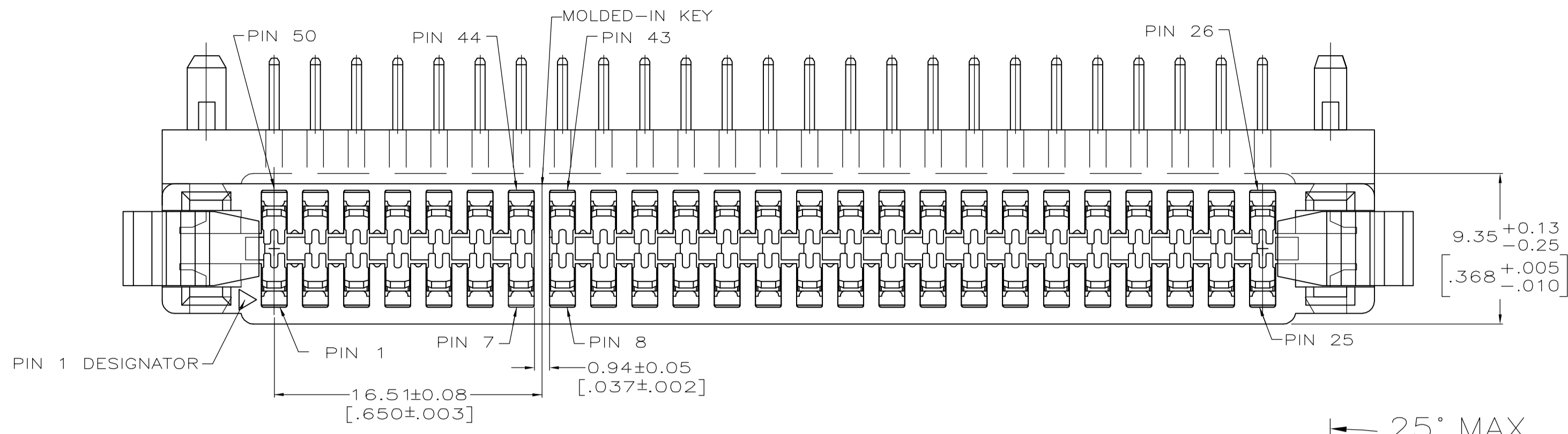
## Contact us

Tel: +86-755-8981 8866 Fax: +86-755-8427 6832

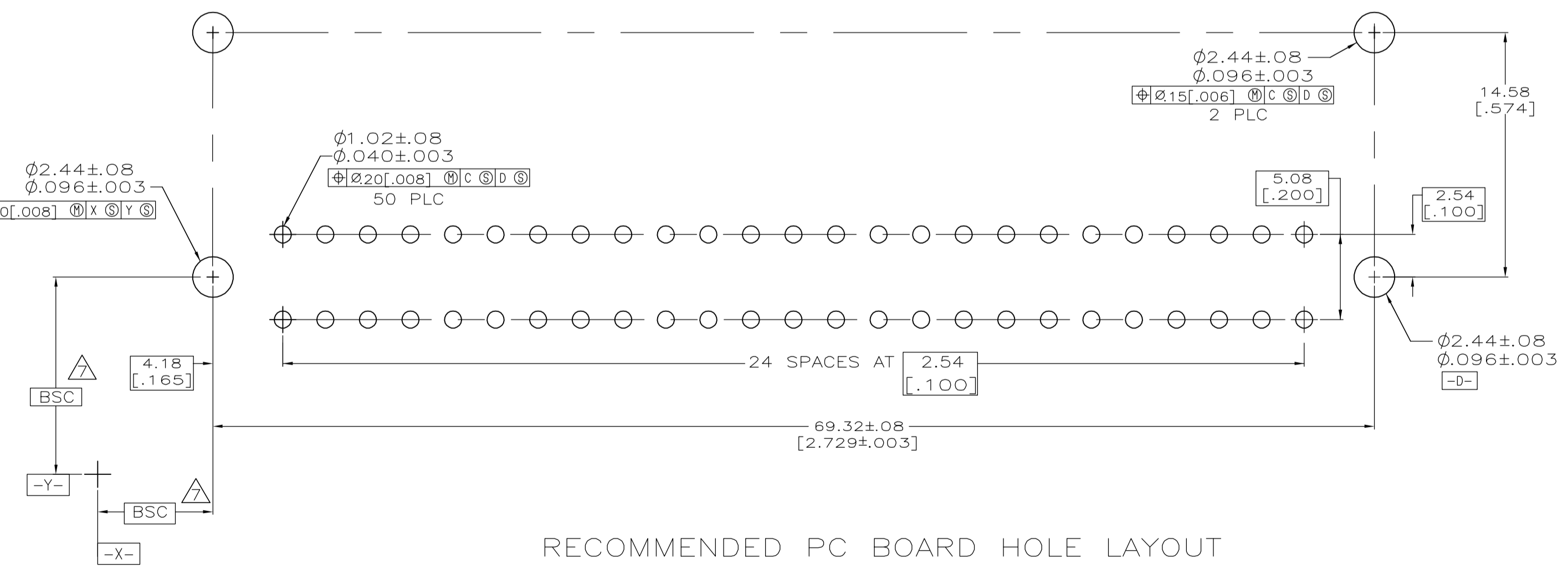
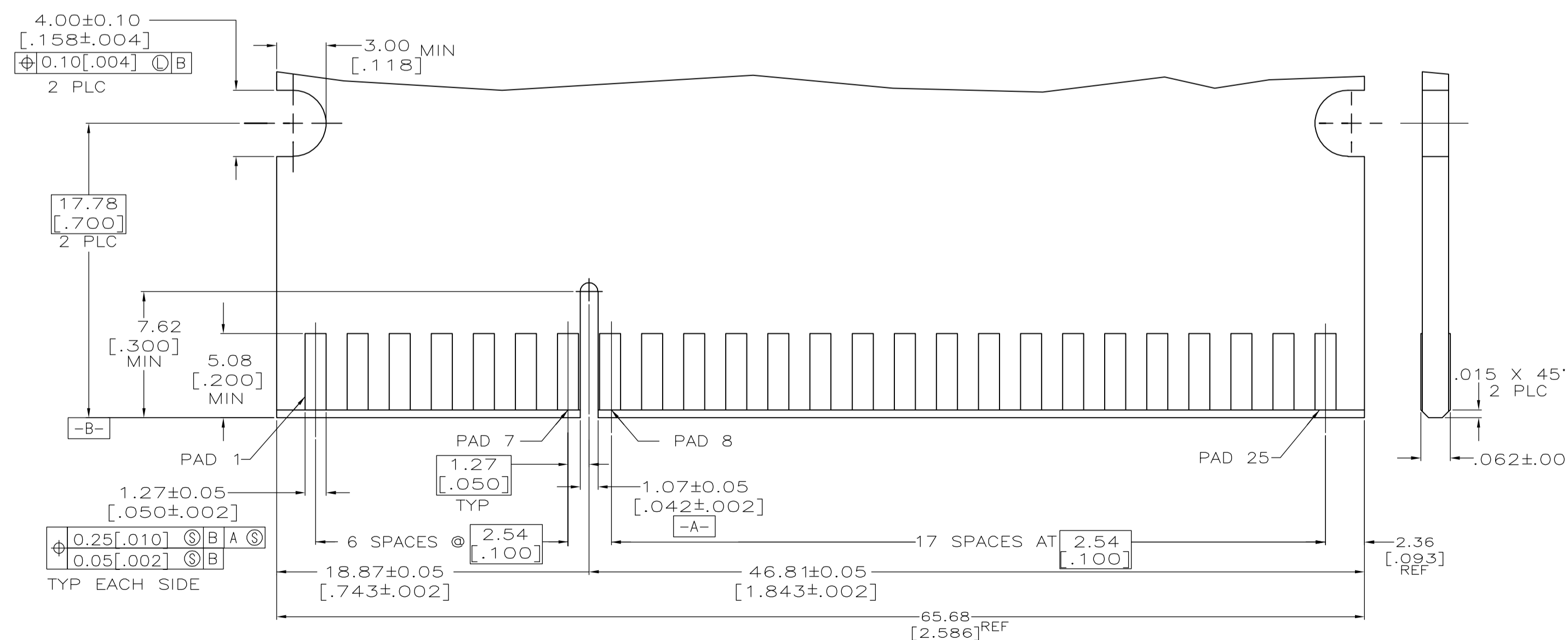
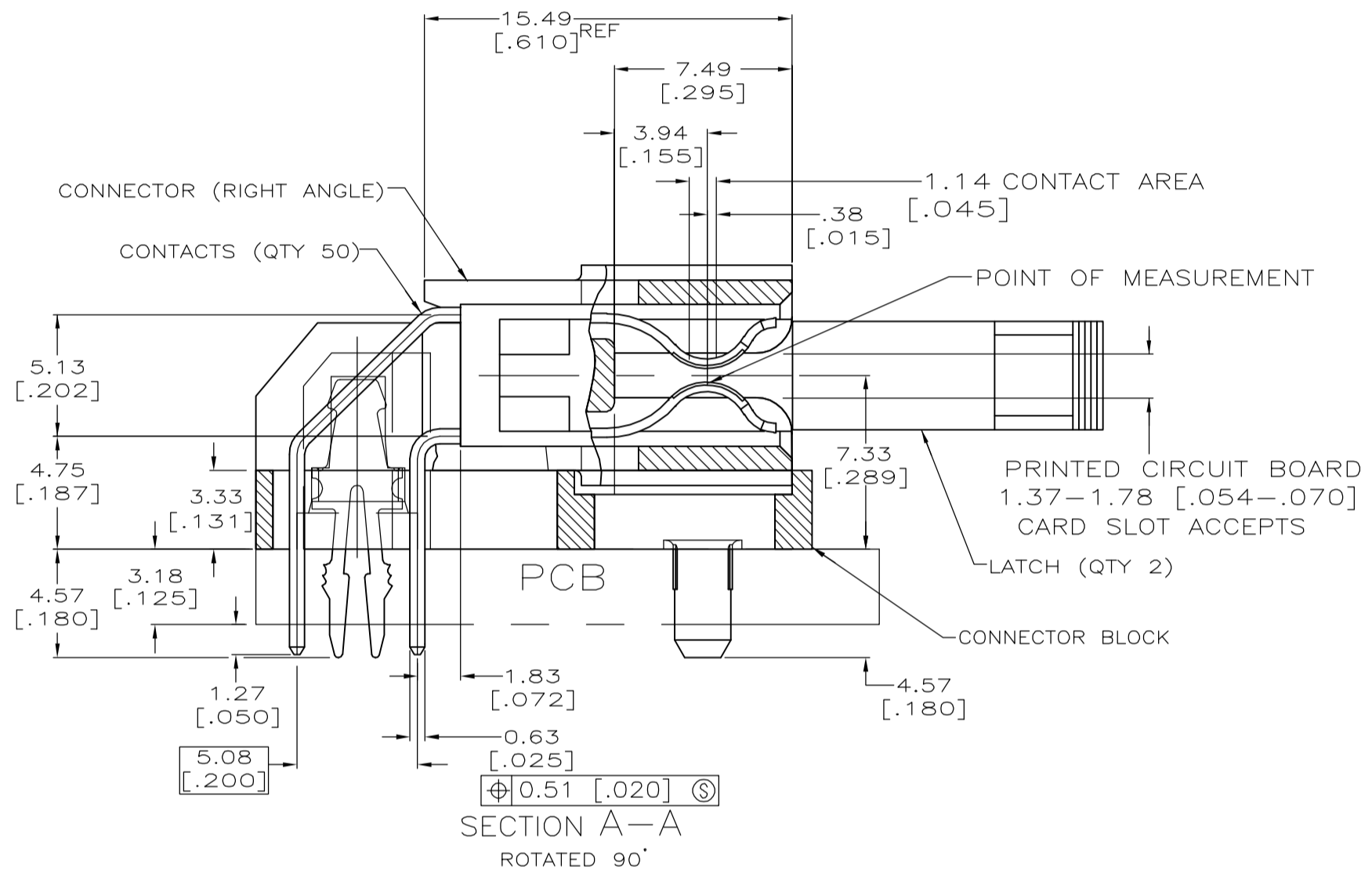
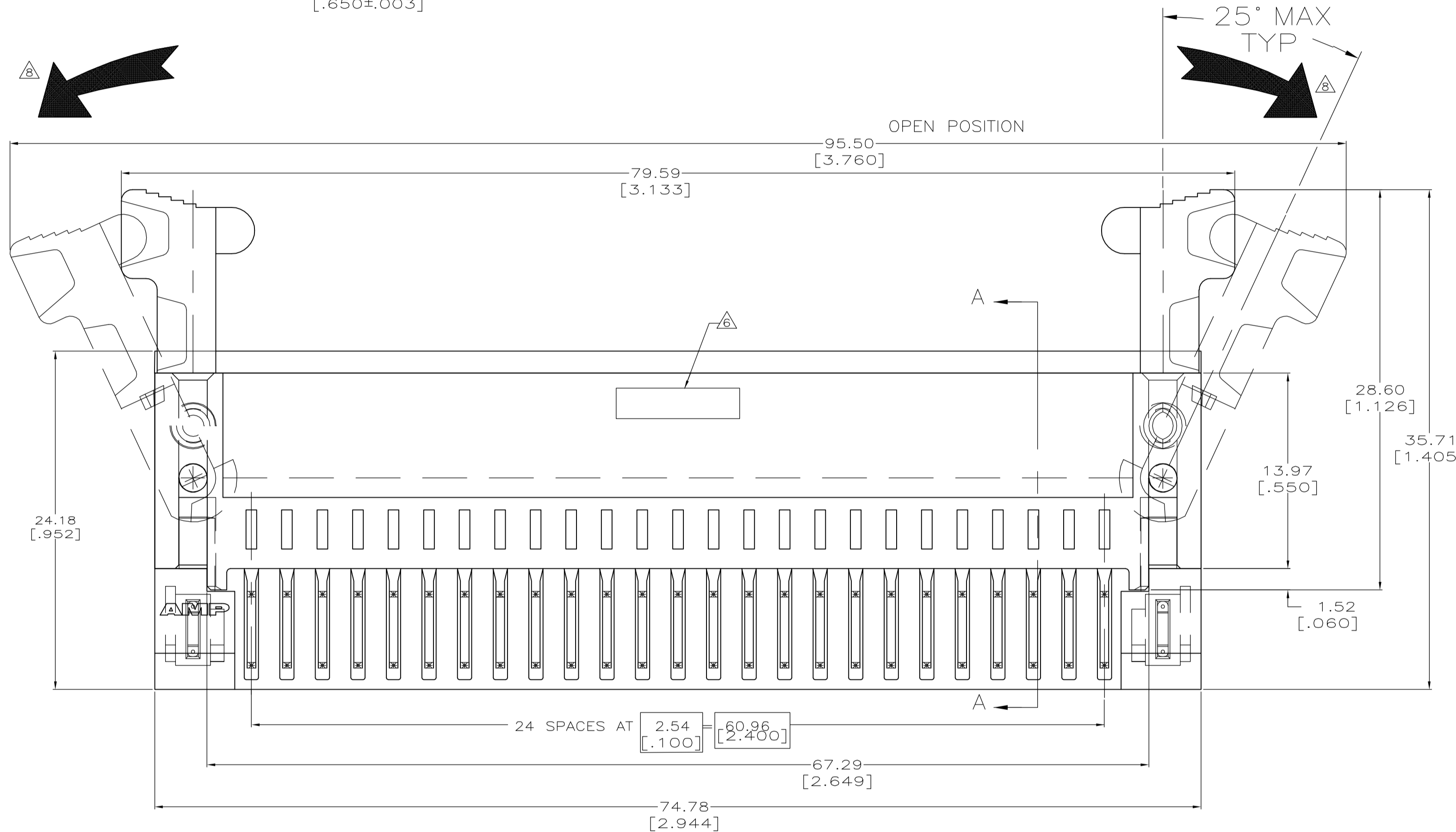
Email & Skype: info@chipsmall.com Web: www.chipsmall.com

Address: A1208, Overseas Decoration Building, #122 Zhenhua RD., Futian, Shenzhen, China





- 1 HOUSING AND SUPPORT BLOCK: GLASS FILLED POLYESTER; COLOR: BLACK.
- 2 CONTACT: PHOSPHOR BRONZE.
- 3 NICKEL PLATE: 0.00127 [.000050] MIN - ALL OVER.
- 4 MATTE TIN PLATE: 0.00254 [.000100] MIN - SOLDER POSTS.
- 5 GOLD PLATE: 0.00076 [.000030] MIN - CONTACT AREA.
- 6 AMP PART NUMBER, DATE CODE AND CSA LOGO MAY BE MARKED IN APPROXIMATE AREA SHOWN.
- 7 DATUMS AND BASIC DIMENSIONS ESTABLISHED BY CUSTOMER
- 8 CAUTION, LATCHES ARE INTENDED FOR RETENTION OF PC BOARD TO CONNECTOR. DO NOT ATTEMPT TO FULLY EJECT PC BOARD FROM CONNECTOR WHILE DISENGAGING LATCHES. DAMAGE TO LATCHES AND OR CONNECTOR WILL OCCUR. CONSULT AMP ENGINEERING FOR INFORMATION RELATED TO THIS CONNECTOR APPLICATION.



RECOMMENDED MATING BOARD EDGE CONFIGURATION

RECOMMENDED PC BOARD HOLE LAYOUT

25	6364633-1
NO OF POSN	PART NUMBER

THIS DRAWING IS A CONTROLLED DOCUMENT.		DIN AL FRANTUM 17 AUG 05		Tyco Electronics Corporation Harrisburg, Pa 17105-3608	
DIMENSIONS: mm		AL FRANTUM 17 AUG 05		PRODUCT SPEC 108-9039	CONNECTOR ASSEMBLY, RIGHT ANGLE, 2.54 [0.100] CL, 25 DUAL POSITION WITH SUPPORT BLOCK
TOLERANCES UNLESS OTHERWISE SPECIFIED:		APVD	APPLICATION SPEC	SIZE	RESTRICTED TO
0 PLC ±	1 PLC ± 0.3 [0.10]	NAME	108-9039	SCALE	4:1
2 PLC ± 0.13 [0.005]	3 PLC ±	WEIGHT	A1 00779 C=6364633	SHEET	1 of 1
4 PLC ±	ANGLES ±	CUSTOMER DRAWING		REV	A