



Chipsmall Limited consists of a professional team with an average of over 10 year of expertise in the distribution of electronic components. Based in Hongkong, we have already established firm and mutual-benefit business relationships with customers from,Europe,America and south Asia,supplying obsolete and hard-to-find components to meet their specific needs.

With the principle of “Quality Parts,Customers Priority,Honest Operation,and Considerate Service”,our business mainly focus on the distribution of electronic components. Line cards we deal with include Microchip,ALPS,ROHM,Xilinx,Pulse,ON,Everlight and Freescale. Main products comprise IC,Modules,Potentiometer,IC Socket,Relay,Connector.Our parts cover such applications as commercial,industrial, and automotives areas.

We are looking forward to setting up business relationship with you and hope to provide you with the best service and solution. Let us make a better world for our industry!



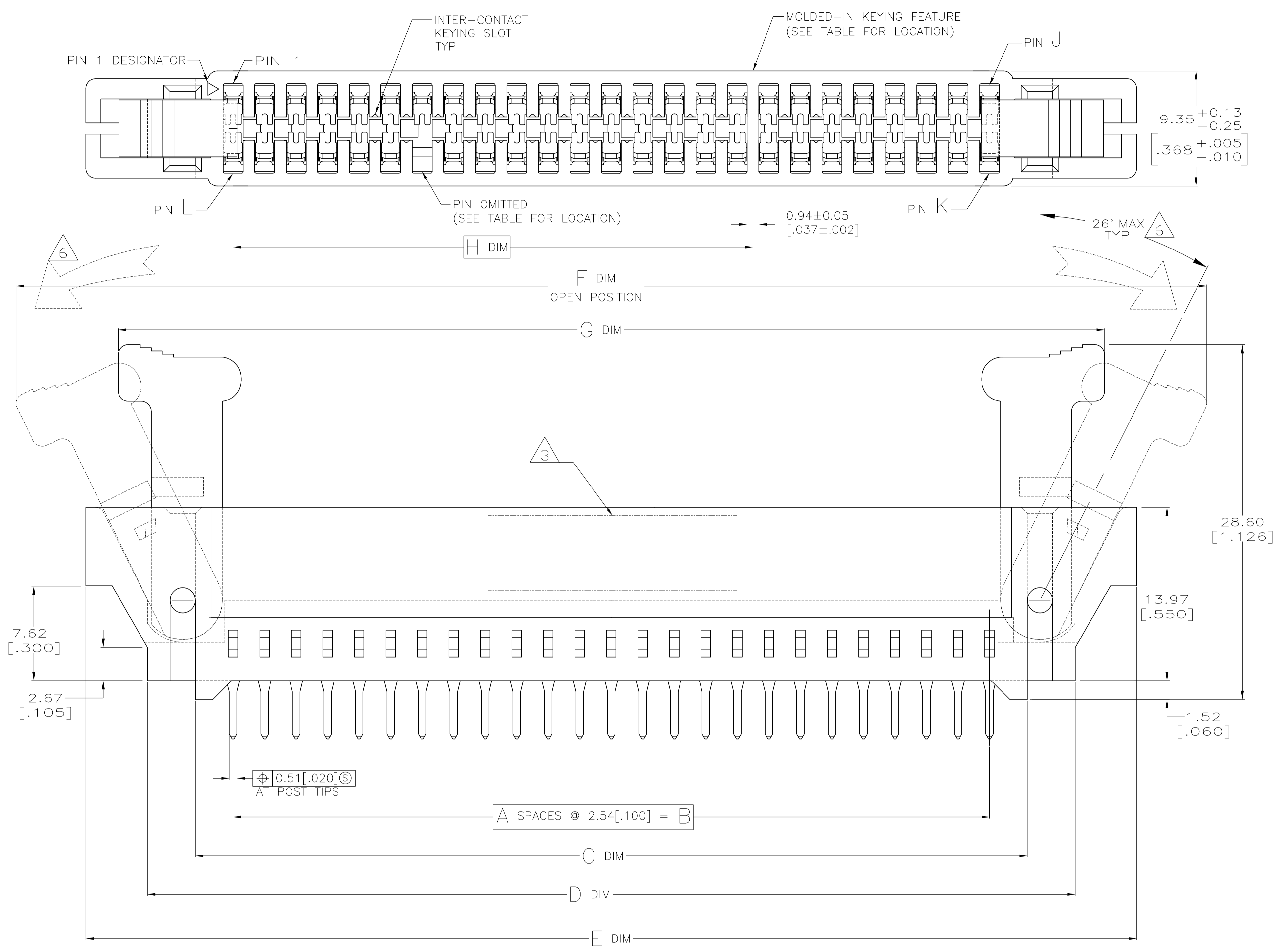
## Contact us

Tel: +86-755-8981 8866 Fax: +86-755-8427 6832

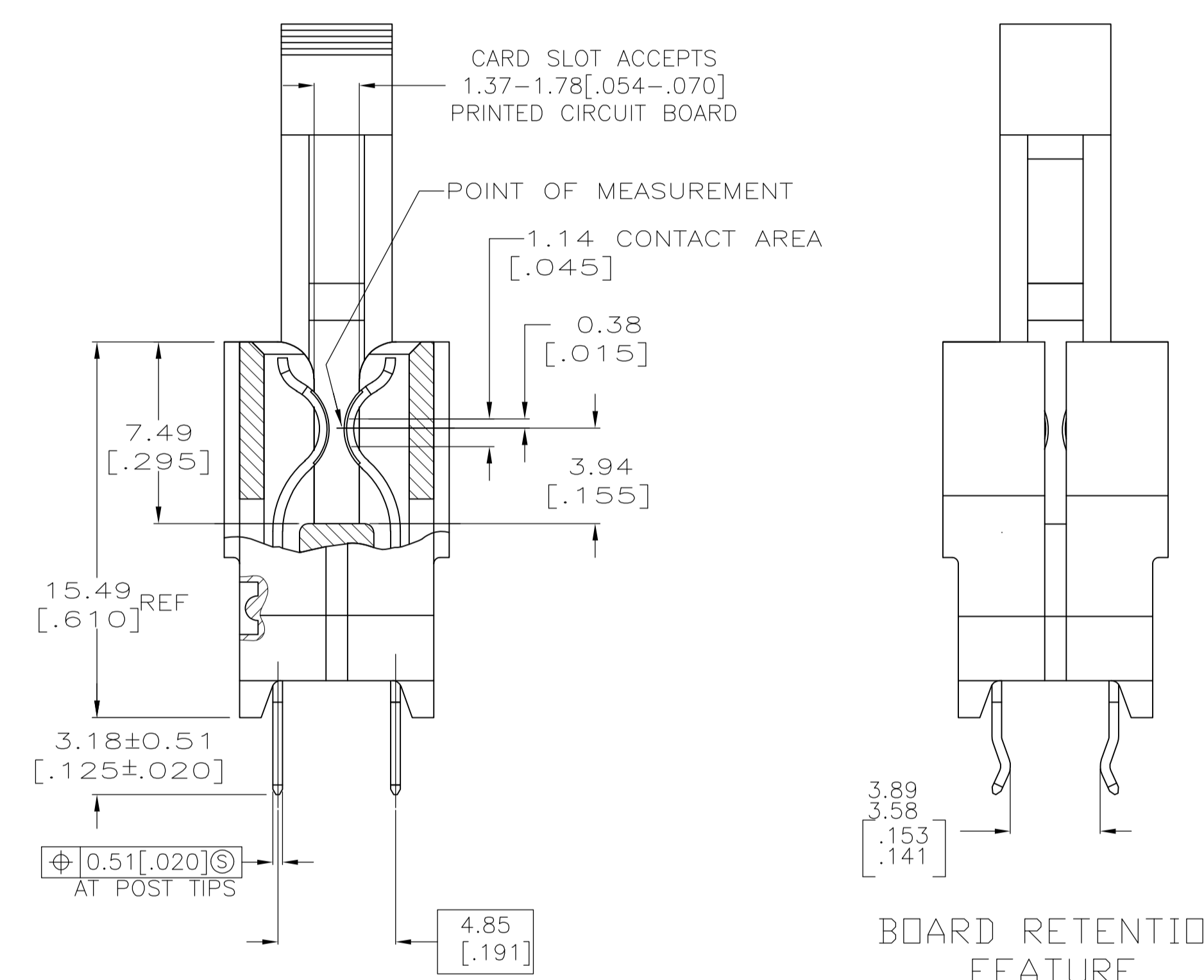
Email & Skype: info@chipsmall.com Web: www.chipsmall.com

Address: A1208, Overseas Decoration Building, #122 Zhenhua RD., Futian, Shenzhen, China





- MATERIAL:  
 HOUSING: GLASS FILLED POLYESTER; COLOR: BLACK  
 CONTACT: PHOSPHOR BRONZE  
 LATCH: GLASS FILLED POLYESTER, COLOR: BLACK
- FINISH:  
 0.00076[.000030] GOLD PLATE IN CONTACT AREA,  
 0.00254[.000100] MIN MATTE TIN ON SOLDER POSTS, ALL  
 OVER 0.00127[.000050] MIN NICKEL
- AMP LOGO, TE PART NUMBER, DATE CODE AND CSA LOGO INK  
 STAMPED WHITE (HOT STAMPED OR LAZER PRINTED) IN THE APPROXIMATE  
 AREA SHOWN, EITHER SIDE PERMISSABLE, WHEN HOUSING SIZE PERMITS
- DATUMS AND BASIC DIMENSIONS ESTABLISHED BY CUSTOMER
- CONNECTORS SHOWN ARE USED IN APPLICATIONS WITH VRM MODULES WEIGHING  
 3 OUNCES OR LESS. ALTERNATE CONNECTOR AND LATCH METHOD IS AVAILABLE FOR  
 VRM MODULES WEIGHING UP TO 6 OUNCES.
- CAUTION: LATCHES ARE INTENDED FOR RETENTION OF PC BOARD TO CONNECTOR,  
 DO NOT ATTEMPT TO FULLY EJECT PC BOARD FROM CONNECTOR WHILE DISENGAGING  
 LATCHES. DAMAGE TO LATCHES AND/OR CONNECTOR MAY OCCUR

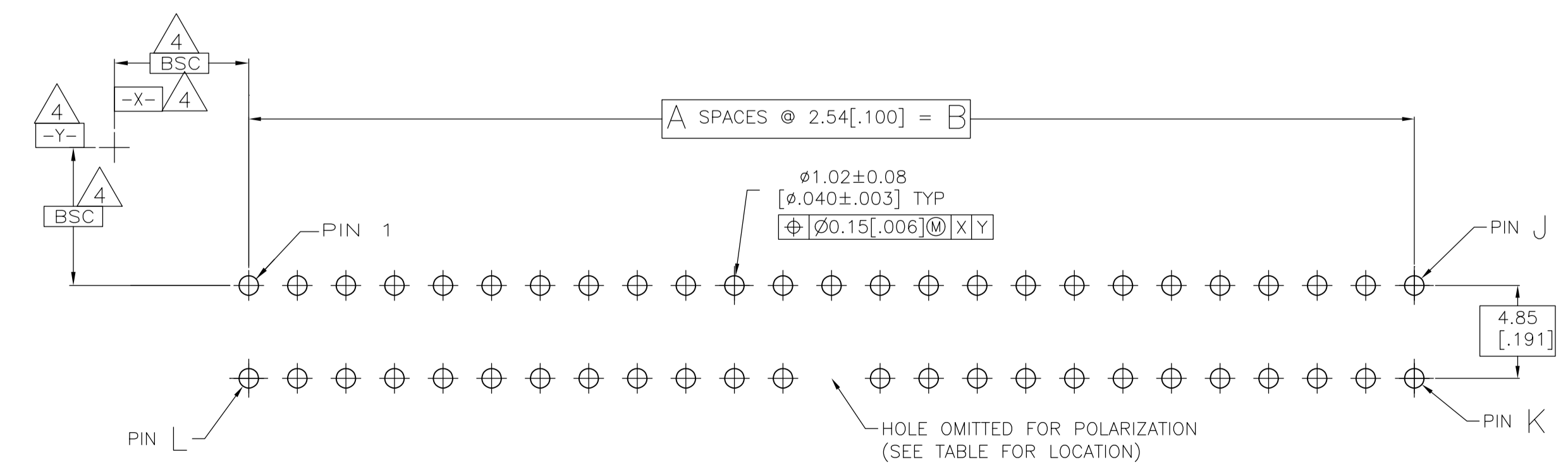
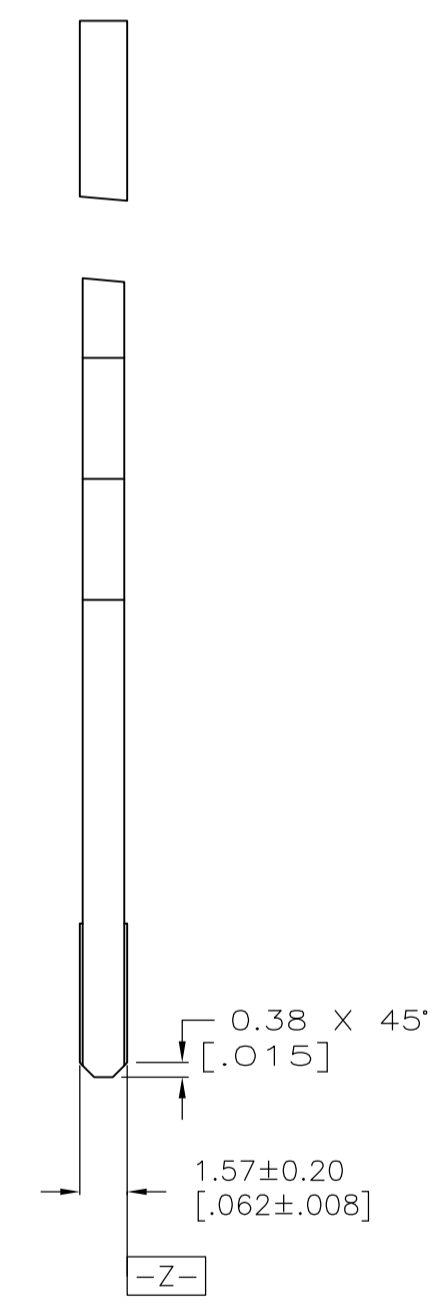
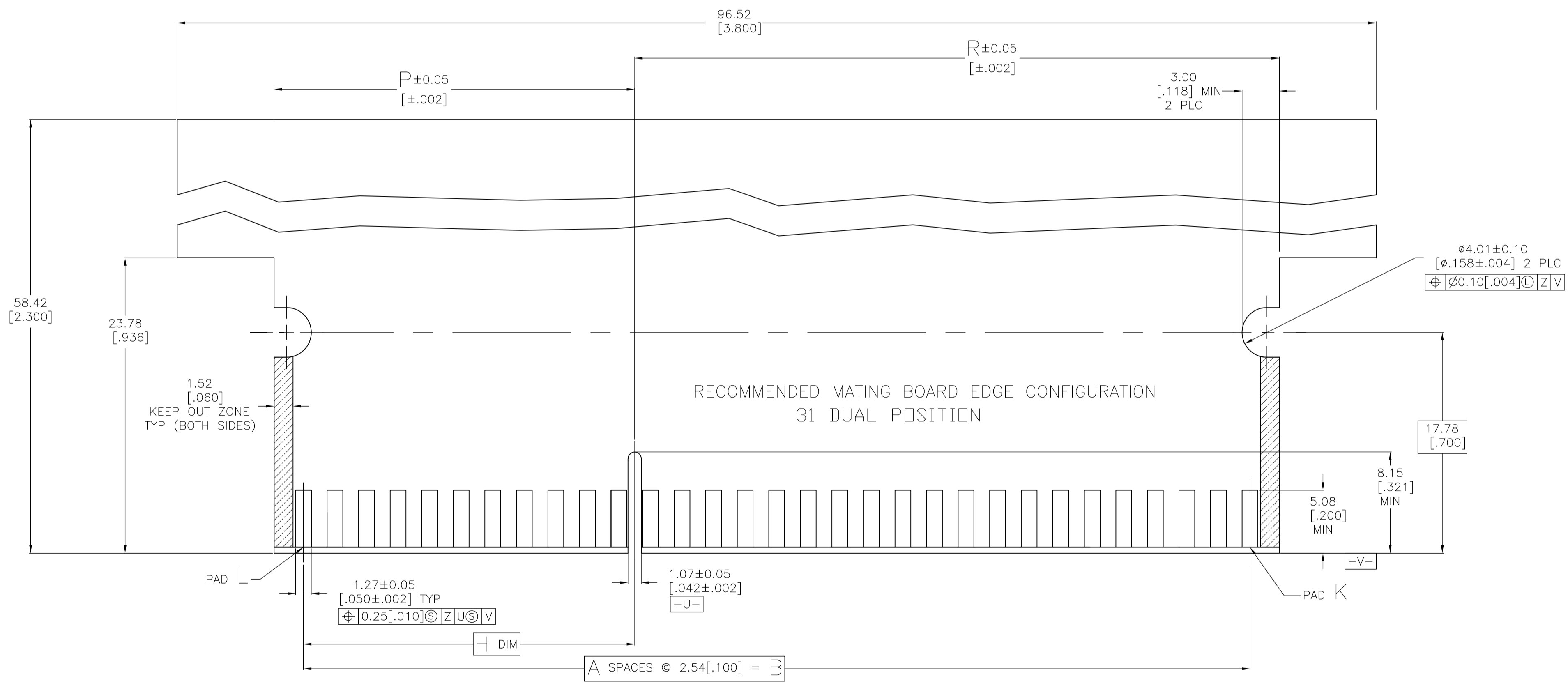
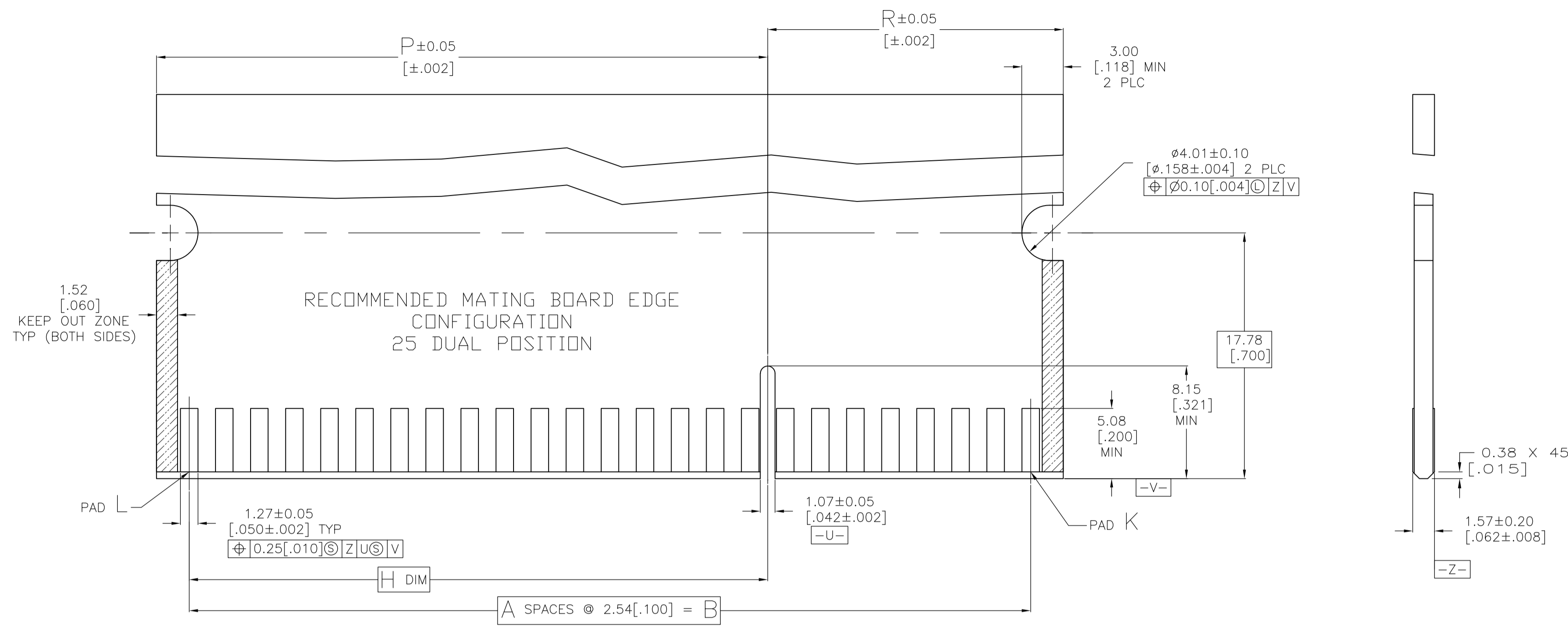


BOARD RETENTION  
 FEATURE  
 (SEE TABLE FOR  
 LOCATION)

<b>OBSELETE</b>	6364666-4
PART NUMBER	

-	2,3,29,30, 33,34,60,61	12 & 13	6	49.35 [1.943]	31.50 [1.240]	62	32	31	29.21 [1.150]	97.10 [3.823]	113.00 [4.449]	99.92 [3.934]	90.02 [3.544]	82.52 [3.249]	76.20 [3.000]	30	31	6364666-5
8.5, +12V	2,3,23,24, 27,28,48,49	17 & 18	44	21.41 [.843]	44.27 [1.743]	50	26	25	41.91 [1.650]	81.86 [3.223]	97.76 [3.849]	84.68 [3.334]	74.78 [2.944]	67.28 [2.649]	60.96 [2.400]	24	25	6364666-2
9.0, +12V	2,3,29,30, 33,34,60,61	11 & 12	6	51.89 [2.043]	28.96 [1.140]	62	32	31	26.67 [1.050]	97.10 [3.823]	113.00 [4.449]	99.92 [3.934]	90.02 [3.544]	82.52 [3.249]	76.20 [3.000]	30	31	6364666-1
VRM DESIGNATION	BOARD RETENTION FEATURE LOCATION	MOLDED-IN KEYING FEATURE LOCATED BETWEEN PINS	OMITTED PIN & HOLE	R	P	L	K	J	H	G	F	E	D	C	B	A	NO OF DUAL POSITIONS	PART NUMBER

THIS DRAWING IS A CONTROLLED DOCUMENT.		DW	AWF/L.A.MAYER	01APR2008	Tyco Electronics Corporation Harrisburg, PA 17105-3608
DIMENSIONS: mm [INCHES]		CHK	A.W.FRANTUM	01APR2008	
TOLERANCES UNLESS OTHERWISE SPECIFIED:		APVD	S.FLICKINGER	01APR2008	NAME CONNECTOR ASSEMBLY, STANDARD EDGE II, DUAL POSITION, 2.54[.100] CENTERLINE
0 PLC ± -		PRODUCT SPEC	108-9039-1	SIZE	
1 PLC ± -		APPLICATION SPEC	114-13018	SCALE	5:1
2 PLC ± 0.13[.005]		WEIGHT	-	SHEET	1 OF 2
3 PLC ± -		CUSTOMER DRAWING	SCALE	REV	D
4 PLC ANGLES ± 2°					



RECOMMENDED PC BOARD HOLE LAYOUT

THIS DRAWING IS A CONTROLLED DOCUMENT.		DIN AWF/L.A.MAYER 01APR2008		Tyco Electronics Corporation	
DIMENSIONS: mm [INCHES]		CHK A.W.FRANTUM 01APR2008		Harrisburg, PA 17105-3608	
TOLERANCES UNLESS OTHERWISE SPECIFIED:		APVD S.FLICKINGER 01APR2008		NAME	
0 PLC ± -	1 PLC ± -	PRODUCT SPEC		CONNECTOR ASSEMBLY, STANDARD EDGE II, DUAL POSITION, 2.54[.100] CENTERLINE	
2 PLC ± 0.13[.005]	3 PLC ± -	APPLICATION SPEC		108-9039-1	
4 PLC ± -	ANGLES ± 2°	SIZE		114-13018	
MATERIAL SEE NOTE 1	FINISH SEE NOTE 2	WEIGHT		A1 00779 6364666	
		CUSTOMER DRAWING		SCALE 5:1 SHEET 2 OF 2 REV D	