



Chipsmall Limited consists of a professional team with an average of over 10 year of expertise in the distribution of electronic components. Based in Hongkong, we have already established firm and mutual-benefit business relationships with customers from,Europe,America and south Asia,supplying obsolete and hard-to-find components to meet their specific needs.

With the principle of “Quality Parts,Customers Priority,Honest Operation,and Considerate Service”,our business mainly focus on the distribution of electronic components. Line cards we deal with include Microchip,ALPS,ROHM,Xilinx,Pulse,ON,Everlight and Freescale. Main products comprise IC,Modules,Potentiometer,IC Socket,Relay,Connector.Our parts cover such applications as commercial,industrial, and automotives areas.

We are looking forward to setting up business relationship with you and hope to provide you with the best service and solution. Let us make a better world for our industry!



Contact us

Tel: +86-755-8981 8866 Fax: +86-755-8427 6832

Email & Skype: info@chipsmall.com Web: www.chipsmall.com

Address: A1208, Overseas Decoration Building, #122 Zhenhua RD., Futian, Shenzhen, China



THIS DRAWING IS UNPUBLISHED.

RELEASED FOR PUBLICATION

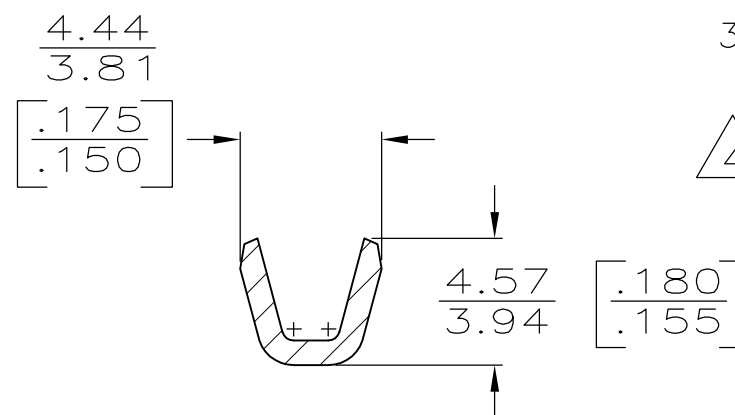
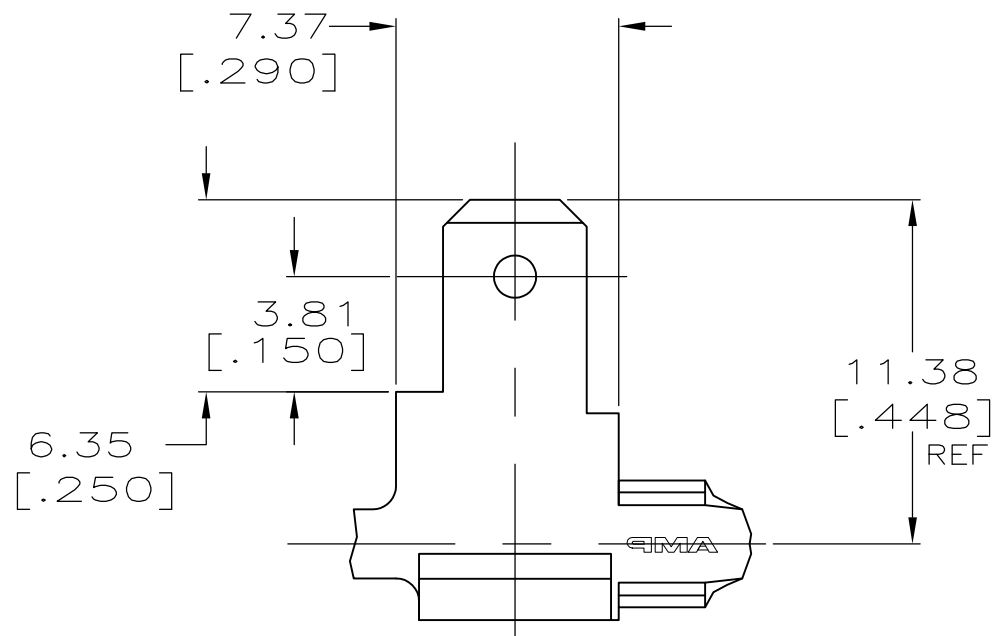
ALL RIGHTS RESERVED.

© COPYRIGHT - By -

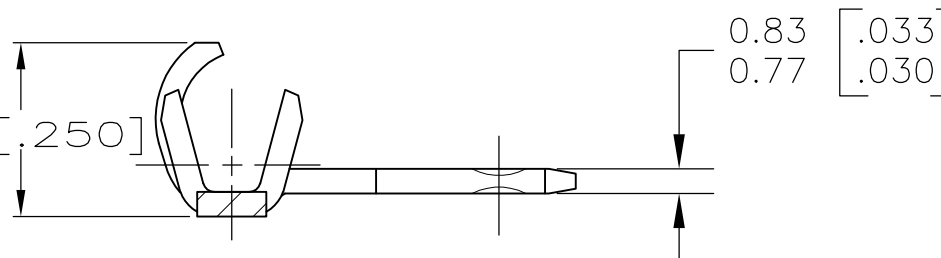
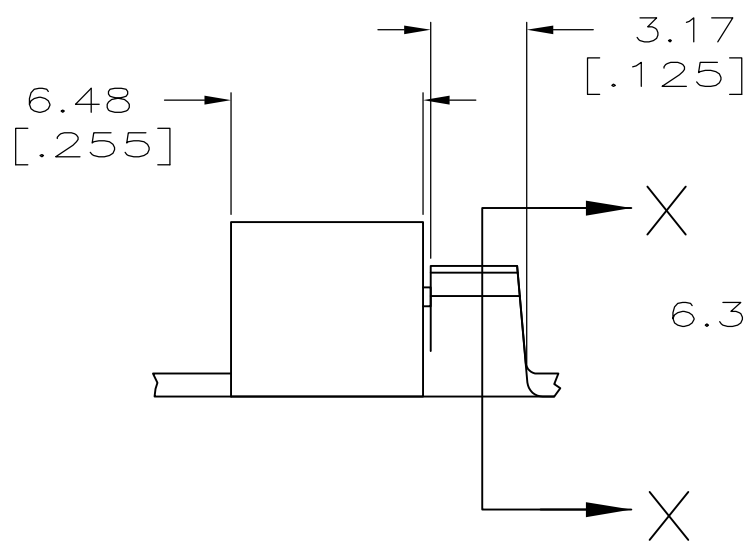
LOC AF DIST 50

REVISIONS

P	LTR	DESCRIPTION	DATE	DWN	APVD
	D1	REVISED PER ECO 11-012757	20JUN11	JR	PD



SECTION X-X



- 1 CONTINUOUS STRIP ON REELS
- 2 WIRE SIZE 0.8-2.0mm2 [18-14] AWG
- 3 INSULATION RANGE 2.03-3.05 [.080-.120] DIA.
- △ 4 PRELIMINARY - NOT FOR PRODUCTION

-----	△ 4 63652-2
TIN	63652-1
FINISH	PART NO.

THIS DRAWING IS A CONTROLLED DOCUMENT.		DWN JR RUTH 6/8/92	STE TE Connectivity		
DIMENSIONS: MM [INCHES]		CHK MS FEHER 6/8/92			
TOLERANCES UNLESS OTHERWISE SPECIFIED:		APVD C MEYERS 6/8/92	NAME		
0 PLC ± -		PRODUCT SPEC	TAB, FASTON, FLAG, 4.75 [.187] SERIES		
1 PLC ± -		APPLICATION SPEC	SIZE	CAGE CODE	DRAWING NO
2 PLC ± -		FINISH	A3 00779		C-63652
3 PLC ± 0.25 [.010]		MATERIAL #2H BRASS	RESTRICTED TO	-	
4 PLC ± -		SEE TABLE	CUSTOMER DRAWING	SCALE 6:1	SHEET 1 OF 1
ANGLES ± -				REV D1	