



Chipsmall Limited consists of a professional team with an average of over 10 year of expertise in the distribution of electronic components. Based in Hongkong, we have already established firm and mutual-benefit business relationships with customers from,Europe,America and south Asia,supplying obsolete and hard-to-find components to meet their specific needs.

With the principle of “Quality Parts,Customers Priority,Honest Operation,and Considerate Service”,our business mainly focus on the distribution of electronic components. Line cards we deal with include Microchip,ALPS,ROHM,Xilinx,Pulse,ON,Everlight and Freescale. Main products comprise IC,Modules,Potentiometer,IC Socket,Relay,Connector.Our parts cover such applications as commercial,industrial, and automotives areas.

We are looking forward to setting up business relationship with you and hope to provide you with the best service and solution. Let us make a better world for our industry!



## Contact us

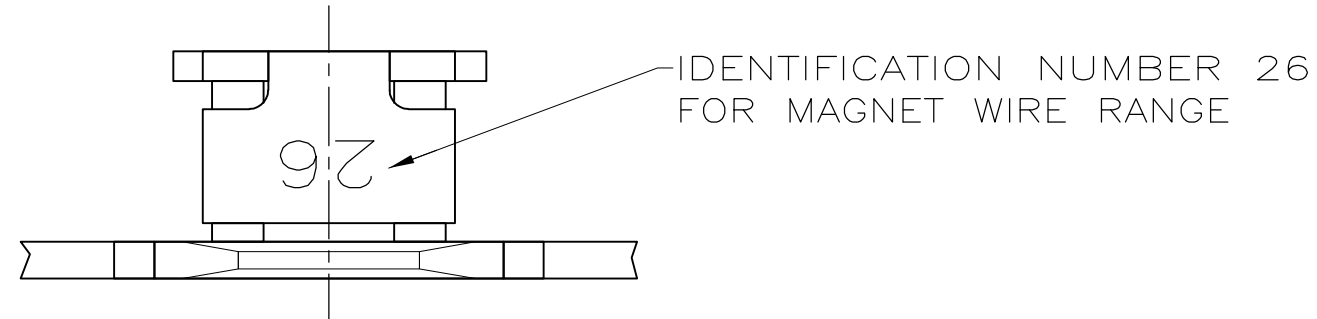
Tel: +86-755-8981 8866 Fax: +86-755-8427 6832

Email & Skype: info@chipsmall.com Web: www.chipsmall.com

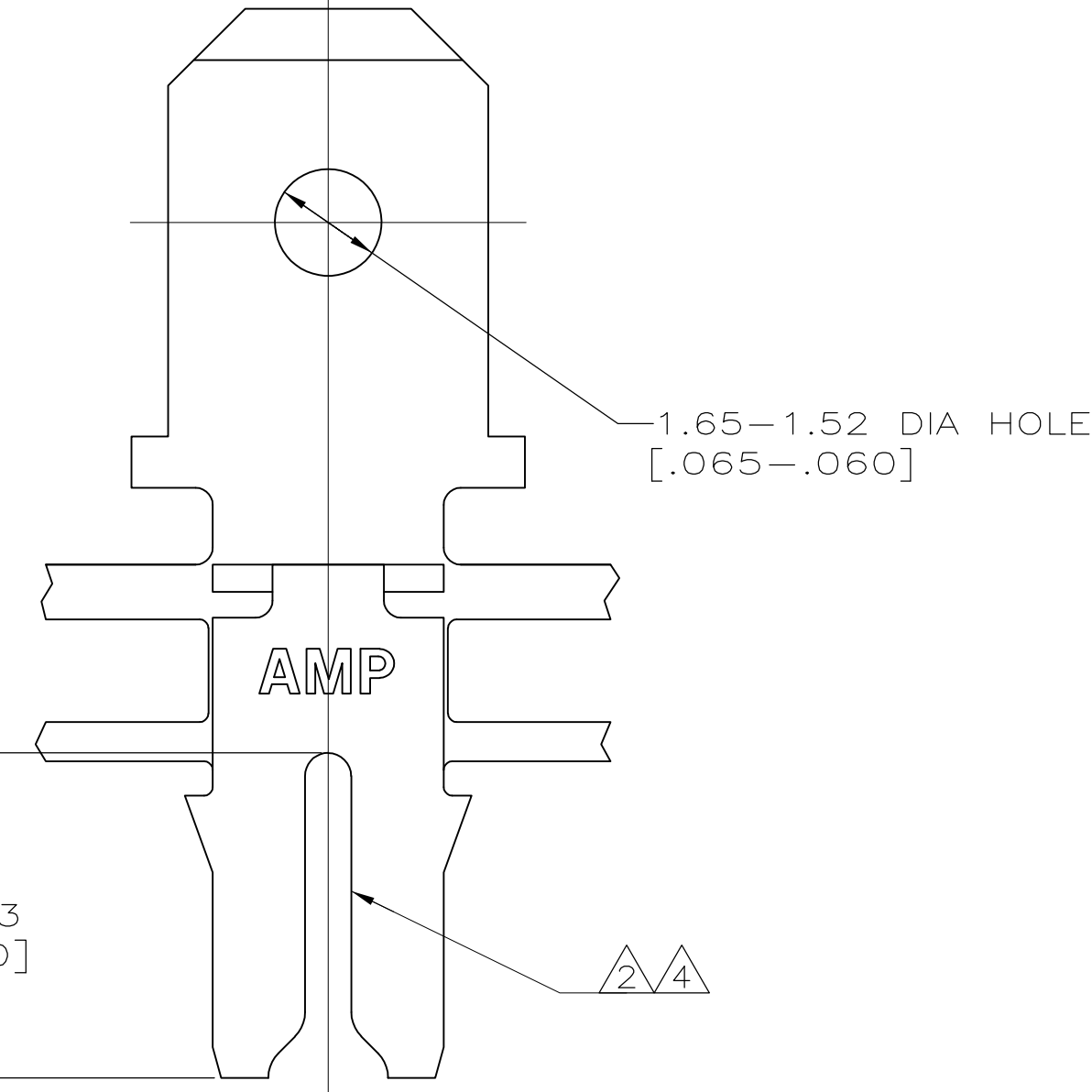
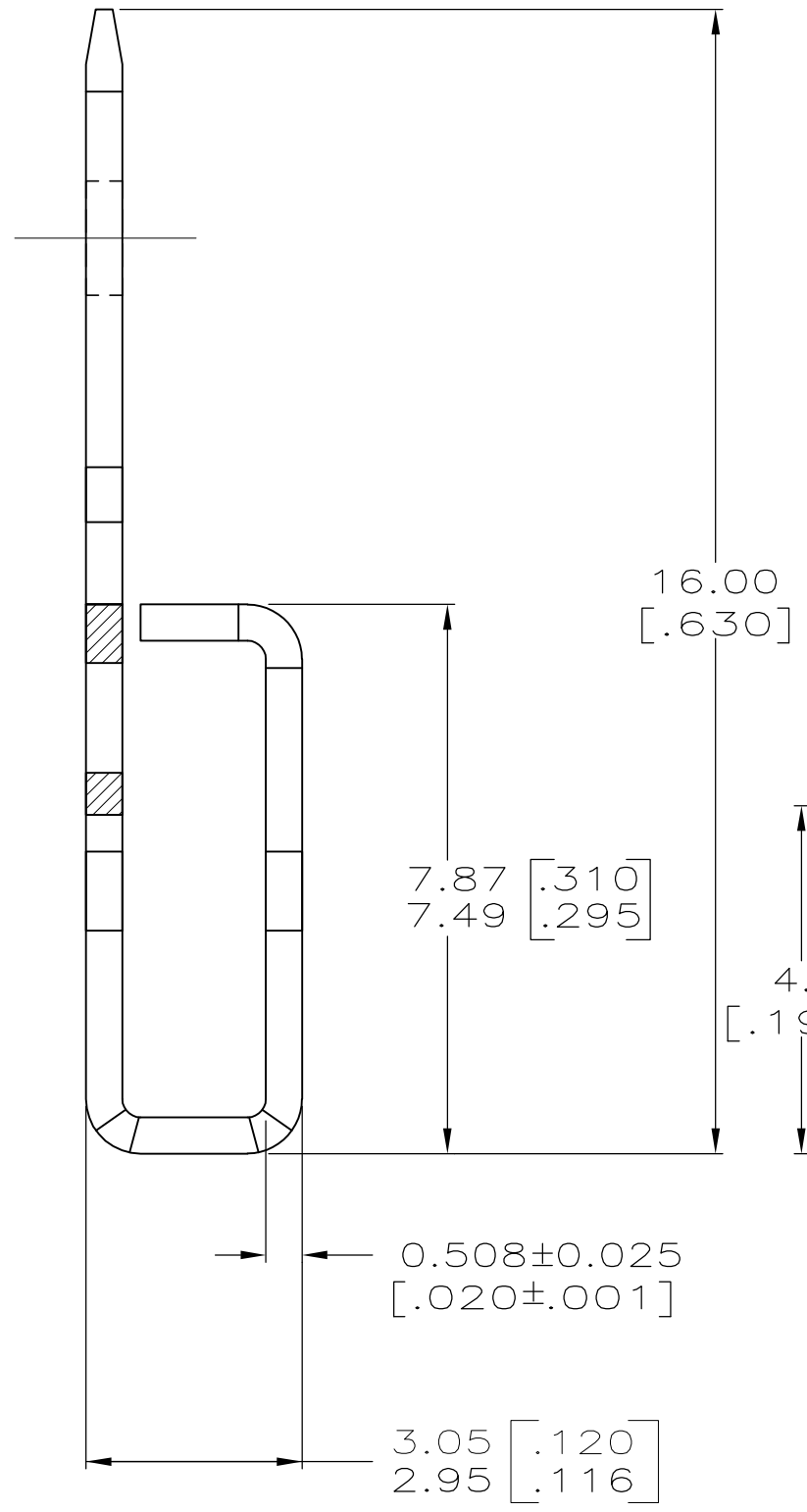
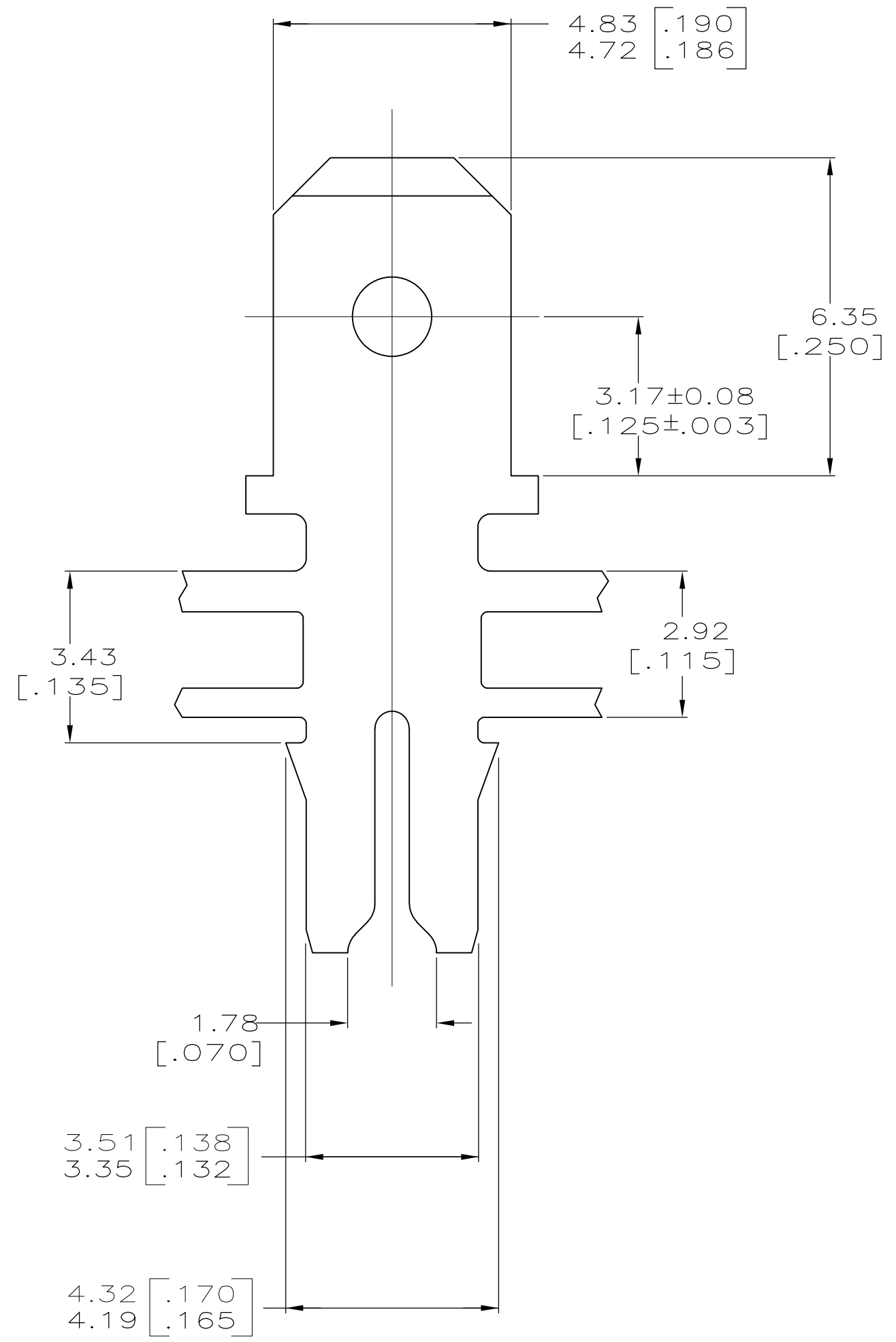
Address: A1208, Overseas Decoration Building, #122 Zhenhua RD., Futian, Shenzhen, China



LOC		DIST		ZONE		LTR		REVISIONS		DATE	APPD
AF	50	P	F			C		ECR-13-008483	06AUG13	JX/DZ	



- 1 CONTINUOUS STRIP ON REELS WITH TERMINALS LOCATED ON 8.38±0.08 [.330±.003] CENTERS.
- 2 SLOT TERMINATES A SINGLE 0.81-1.02mm [#20-#18] AWG BARE SOLID COPPER WIRE.
- 3 AFTER INSERTION INTO PLASTIC HOLDER TAB PORTION MUST BE BENT OVER 45° TO 90° OR POTTED-IN TO PREVENT PULL-OUT WHEN MATING RECEPTACLE IS DISCONNECTED.
- 4 SLOT ALSO TERMINATES A SINGLE 0.81mm [#20] AWG OR A 0.81 [.032] DIA COPPER CLAD STEEL WIRE PER ASTM B452-67 CLASS 40 A.



63670-1  
PART NO

DO NOT SCALE PRINT. UNLESS SPECIFIED DIMENSIONS IN mm [INCHES] TOLERANCES ON : 2 PLC DEC ± 0.25 [.010] 3 PLC DEC ± - ANGLES ± -	DR 9/4/92 MICHAEL S. FEHER	AMP Incorporated Harrisburg, PA 17105-3608	NAME	TERMINAL, TAB, 4.75 [.187] FASTON, MAG-MATE			
	CHK 9/7/92 JEFF R. RUTH			APPD 9/15/92 NELSON E. NEFF	PRODUCT SPEC 108-2012	SIZE	CAGE CODE
MATERIAL H03 BRASS	APPD 9/15/92 TERRY L. SHUTTER			C	00779	C-63670	
FINISH TIN PLATE	APPLICATION SPEC 114-2046			SCALE	10:1	SHEET	10F 1
	WEIGHT	-					

THIS DRAWING IS A CONTROLLED DOCUMENT FOR AMP INCORPORATED. IT IS SUBJECT TO CHANGE AND THE CONTROLLING ENGINEERING ORGANIZATION SHOULD BE CONTACTED FOR THE LATEST REVISION.