



Chipsmall Limited consists of a professional team with an average of over 10 year of expertise in the distribution of electronic components. Based in Hongkong, we have already established firm and mutual-benefit business relationships with customers from,Europe,America and south Asia,supplying obsolete and hard-to-find components to meet their specific needs.

With the principle of “Quality Parts,Customers Priority,Honest Operation,and Considerate Service”,our business mainly focus on the distribution of electronic components. Line cards we deal with include Microchip,ALPS,ROHM,Xilinx,Pulse,ON,Everlight and Freescale. Main products comprise IC,Modules,Potentiometer,IC Socket,Relay,Connector.Our parts cover such applications as commercial,industrial, and automotives areas.

We are looking forward to setting up business relationship with you and hope to provide you with the best service and solution. Let us make a better world for our industry!



Contact us

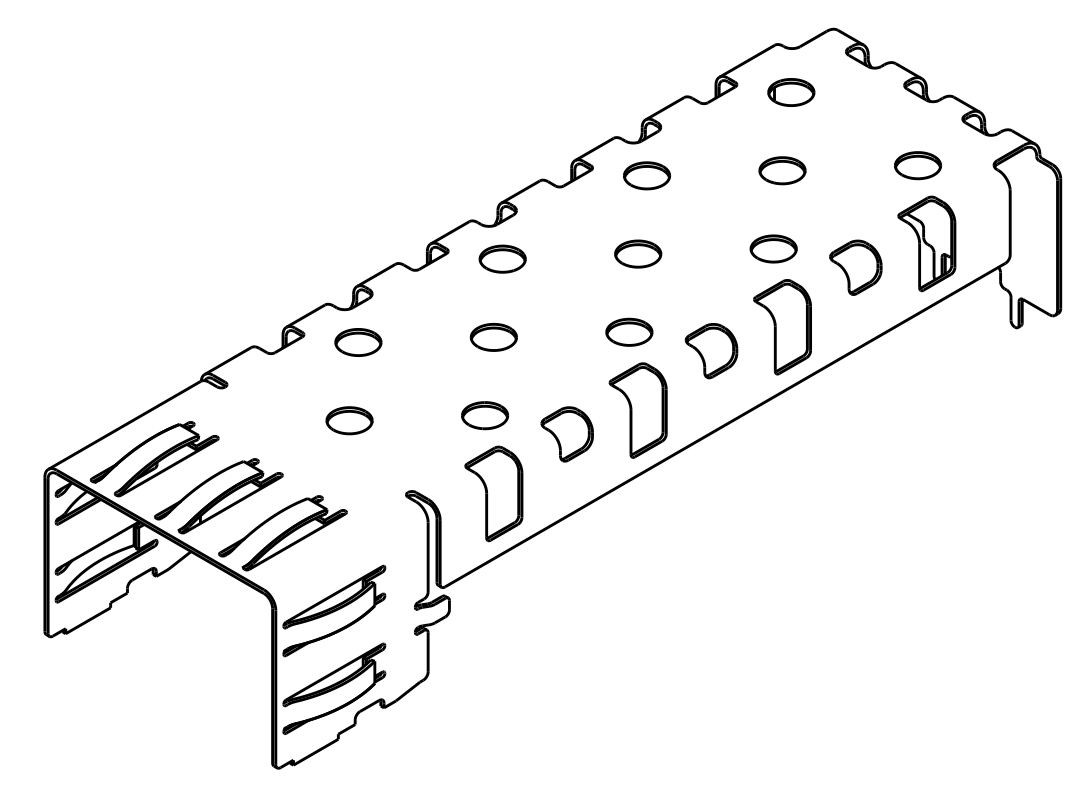
Tel: +86-755-8981 8866 Fax: +86-755-8427 6832

Email & Skype: info@chipsmall.com Web: www.chipsmall.com

Address: A1208, Overseas Decoration Building, #122 Zhenhua RD., Futian, Shenzhen, China

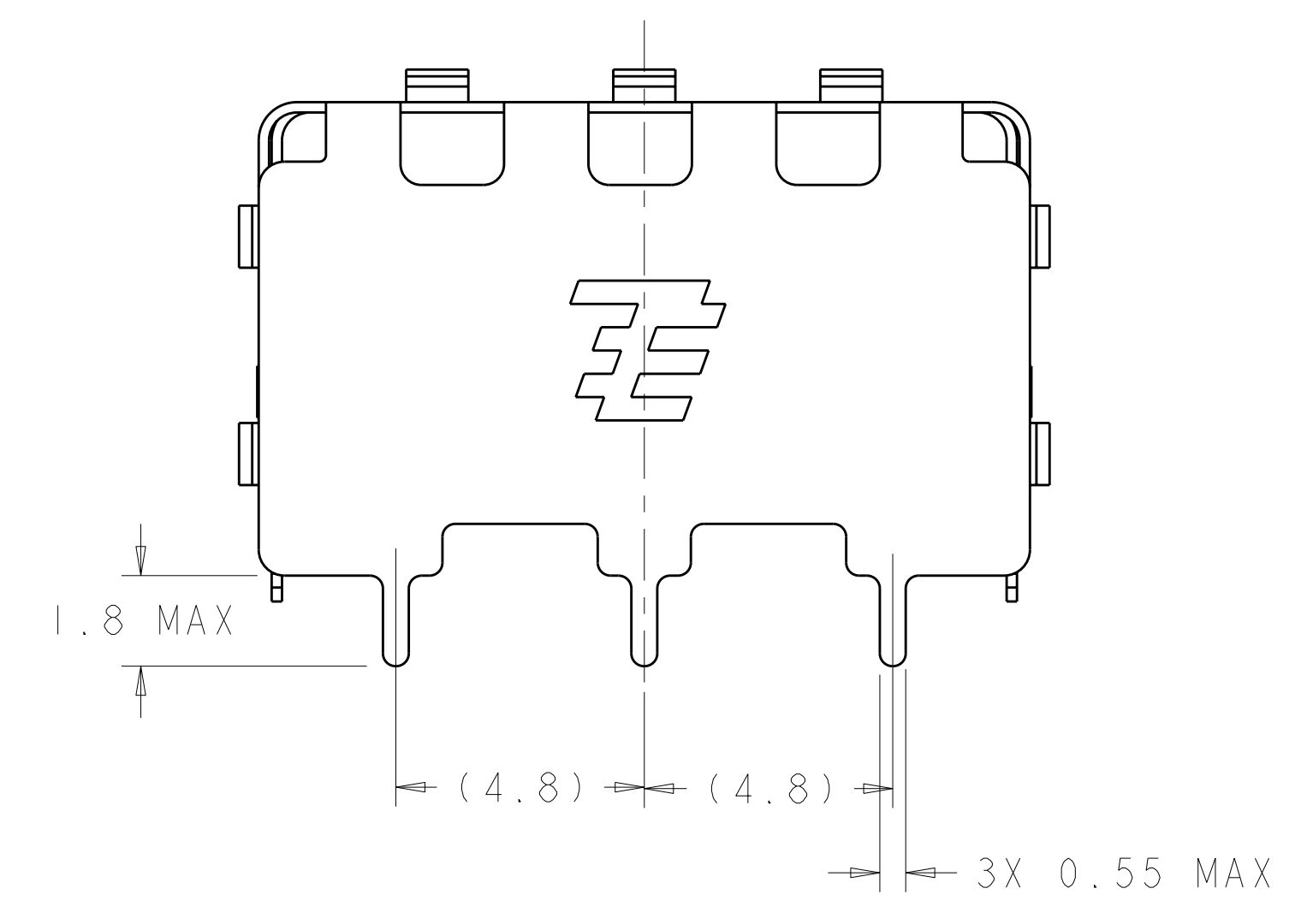
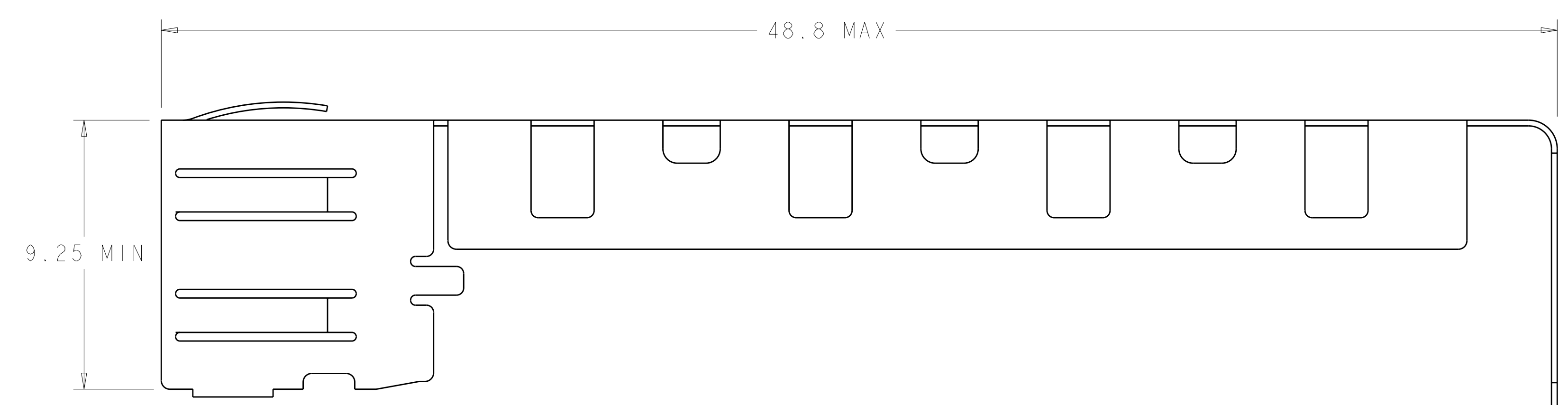
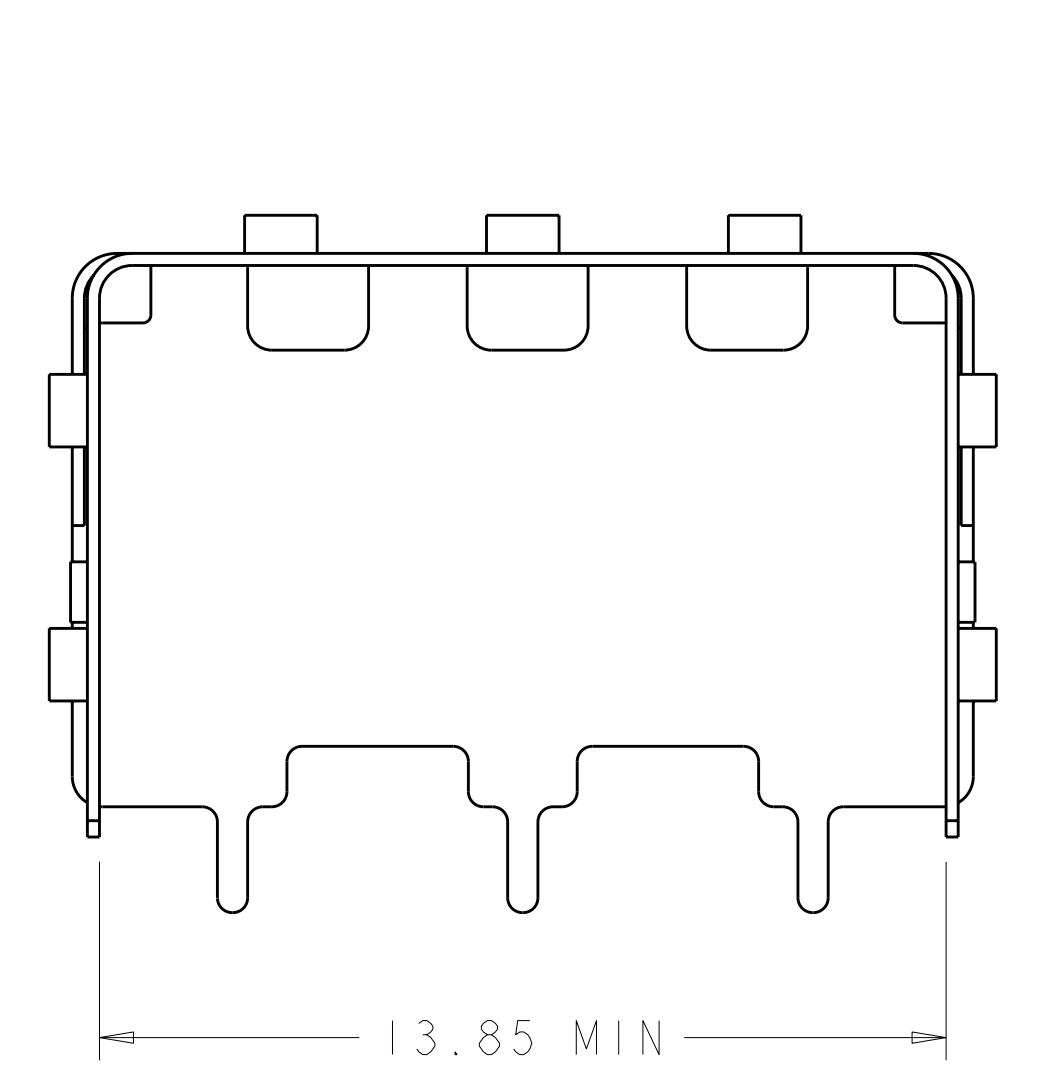
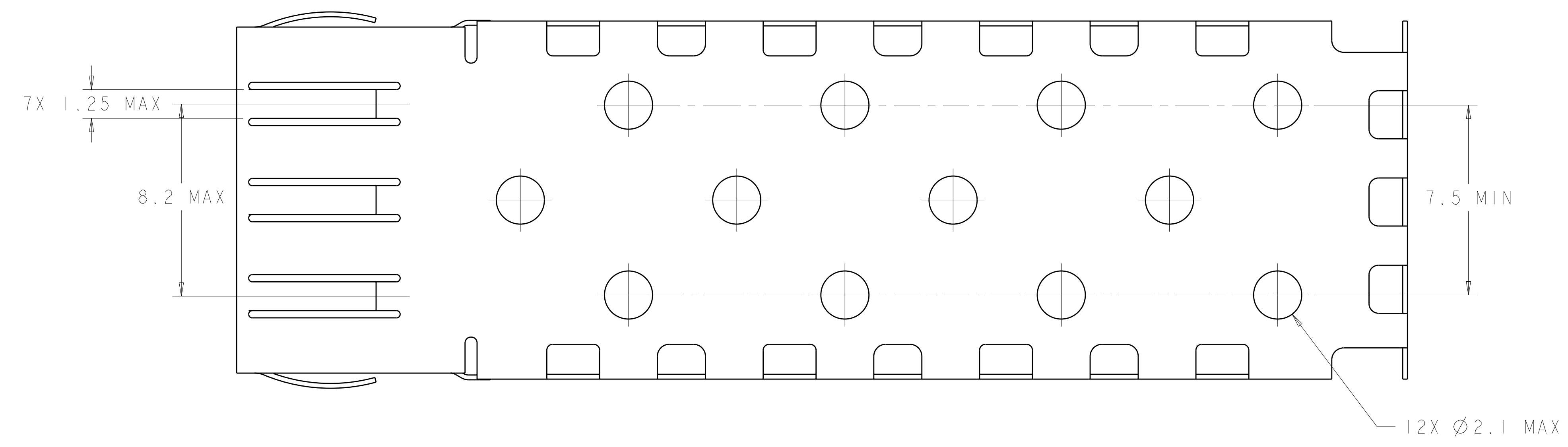


LOC	DIST	REVISIONS			
GP	00	REV	DATE	DWN	APVD
		B1	REVISD PER ECO-11-005033	21MAR2011	RK HMR



SCALE 3:1

- △ COPPER ALLOY, 0.2 THICK.
- △ 1.25 MICROMETERS MIN TIN OVER 0.125 MICROMETERS MIN NICKEL. BARE EDGES PERMISSIBLE.
- 3. PACKAGED 60 PIECES PER TRAY.



6367035-1
PART NUMBER

THIS DRAWING IS A CONTROLLED DOCUMENT.		DWN: J. GEBACE 27JAN05	TE Connectivity	
DIMENSIONS: mm		CHK: J. KOPPENHEFFER 27JAN05		
TOLERANCES UNLESS OTHERWISE SPECIFIED:		APVD: -	NAME: CAGE, TOP SFP	
0 PLC ± 1 PLC ± 2 PLC ± 3 PLC ± 4 PLC ± ANGLES ± FINISH ±		PRODUCT SPEC: 108-1950	SIZE: A100779 C=6367035	
MATERIAL: △		APPLICATION SPEC: 114-13017	RESTRICTED TO: -	
FINISH: △		WEIGHT: -	SCALE: 8:1 SHEET 1 OF 1 REV: B1	
CUSTOMER DRAWING				