



Chipsmall Limited consists of a professional team with an average of over 10 year of expertise in the distribution of electronic components. Based in Hongkong, we have already established firm and mutual-benefit business relationships with customers from,Europe,America and south Asia,supplying obsolete and hard-to-find components to meet their specific needs.

With the principle of “Quality Parts,Customers Priority,Honest Operation,and Considerate Service”,our business mainly focus on the distribution of electronic components. Line cards we deal with include Microchip,ALPS,ROHM,Xilinx,Pulse,ON,Everlight and Freescale. Main products comprise IC,Modules,Potentiometer,IC Socket,Relay,Connector.Our parts cover such applications as commercial,industrial, and automotives areas.

We are looking forward to setting up business relationship with you and hope to provide you with the best service and solution. Let us make a better world for our industry!



## Contact us

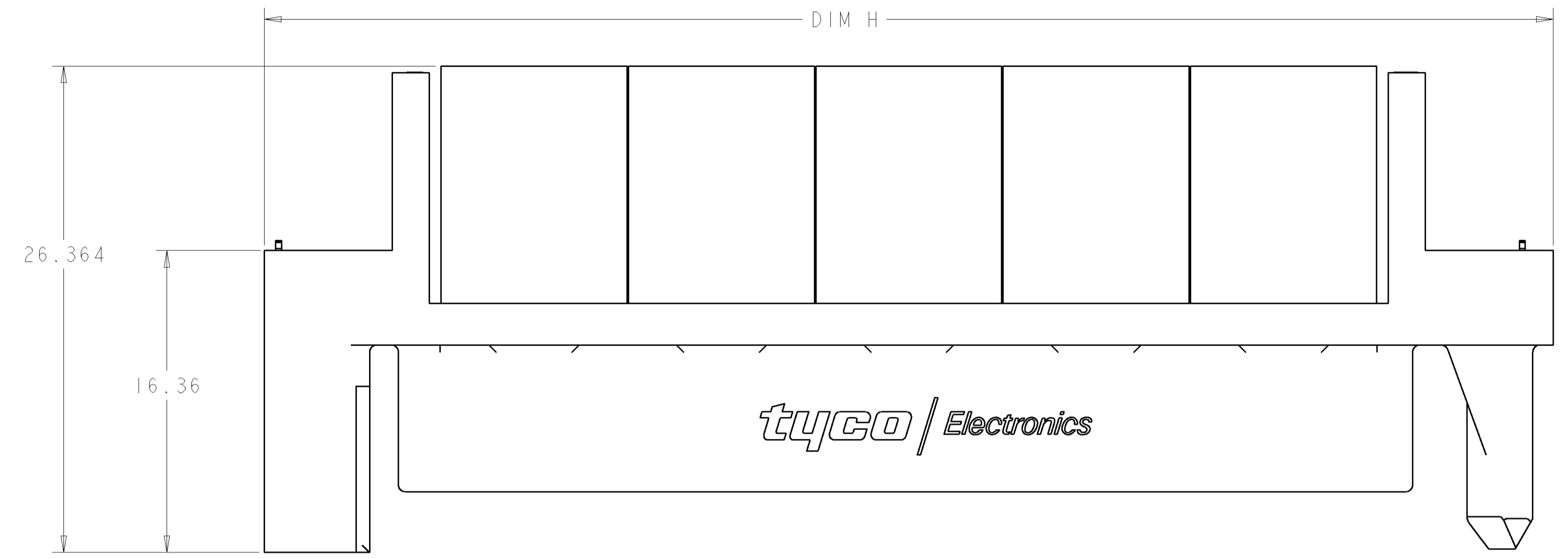
Tel: +86-755-8981 8866 Fax: +86-755-8427 6832

Email & Skype: info@chipsmall.com Web: www.chipsmall.com

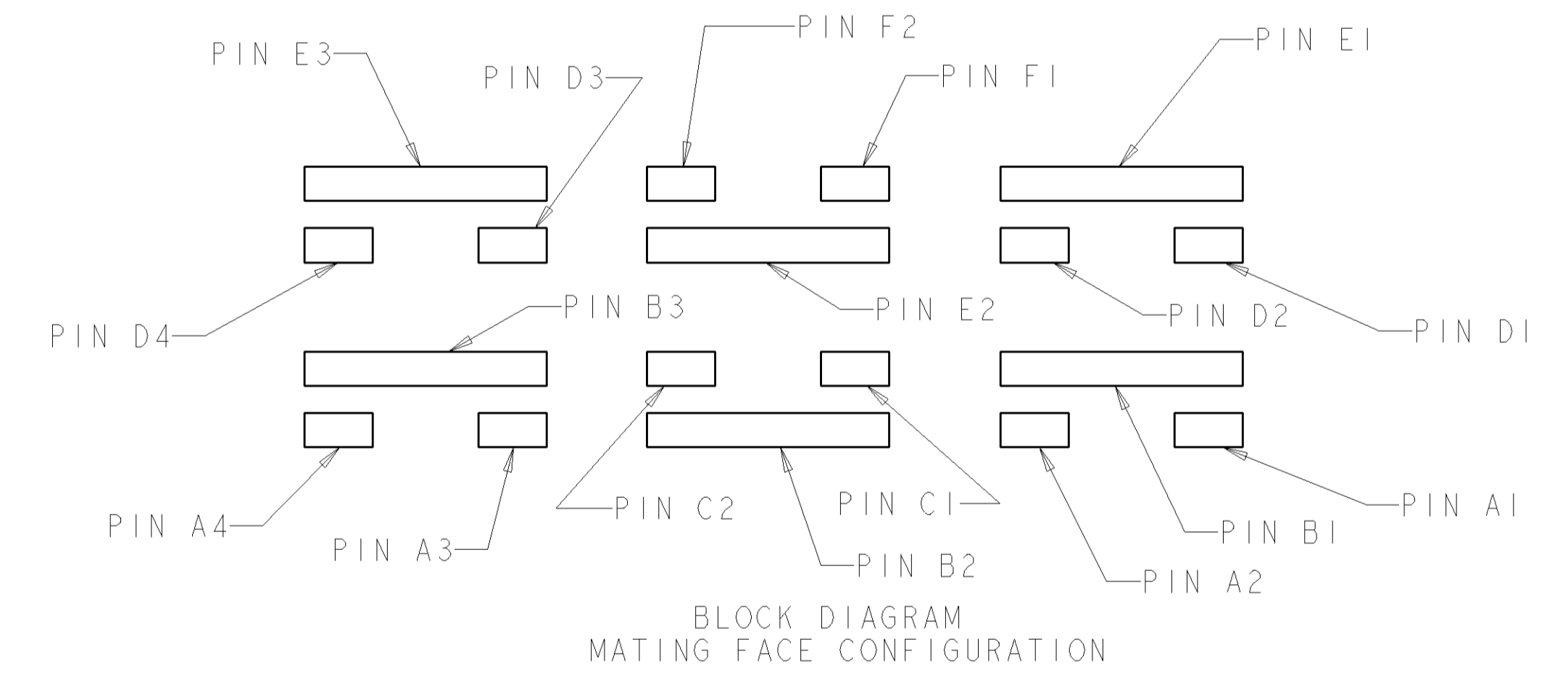
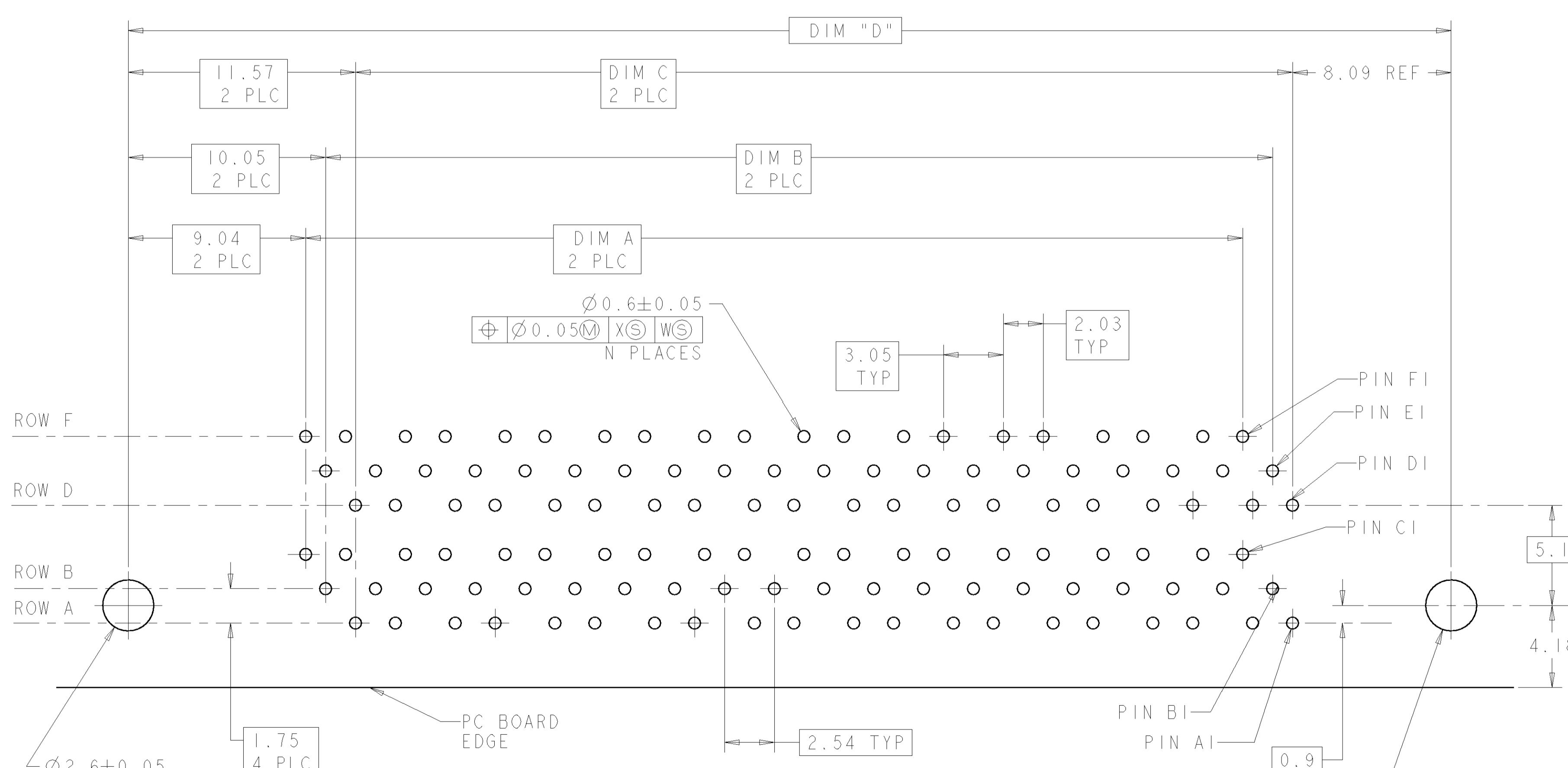
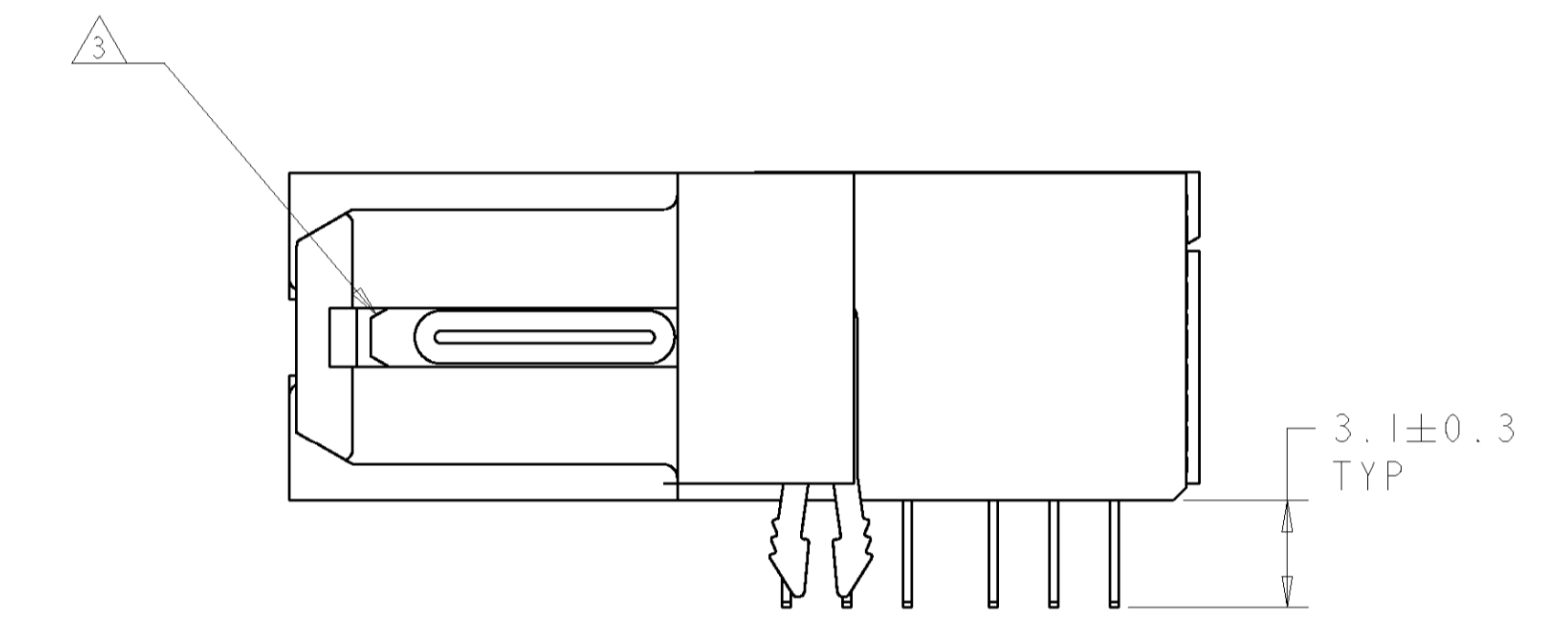
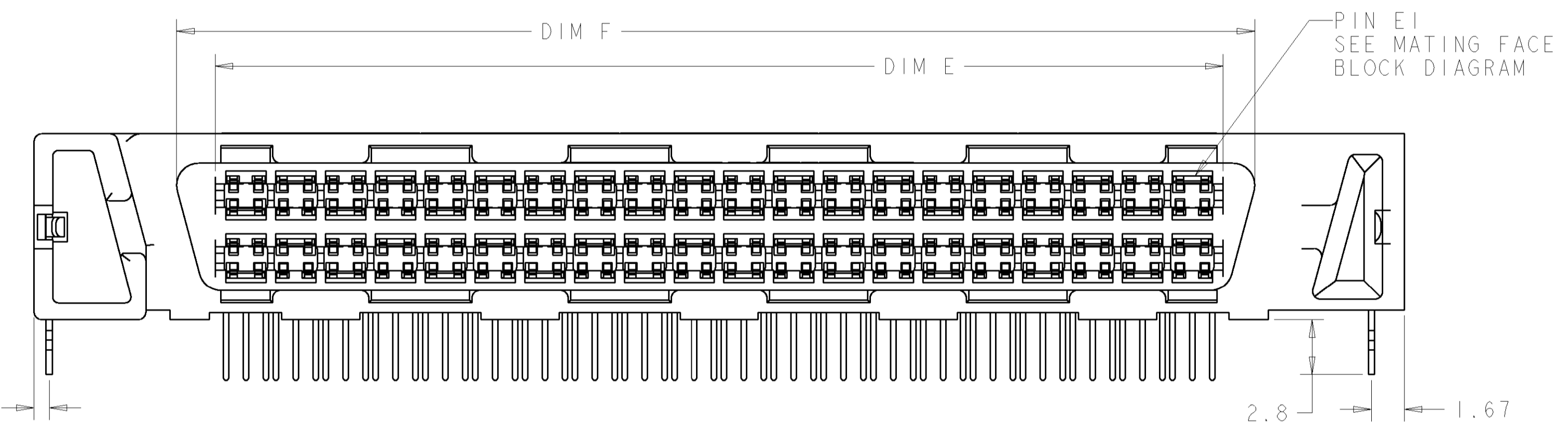
Address: A1208, Overseas Decoration Building, #122 Zhenhua RD., Futian, Shenzhen, China



LOC		DIST		REVISIONS			
P	LTR	DESCRIPTION	DATE	BY	APPD		
A		RELEASED	30NOV2005	EDB	EDB		
A1		REVISED PER ECO-09-025699	08DEC09	KK	AEG		



- 1. MATERIAL:  
HOUSING AND ORGANIZER: POLYESTER, NATURAL  
CONTACTS: COPPER ALLOY  
BOARDLOCKS: BRASS
- 2. PLATING:  
BOARDLOCKS: 2.0µm MIN. TIN OVER 1.00µm MIN NICKEL  
CONTACTS: 0.76µm MIN GOLD IN CONTACT AREA, 2.54µm MIN TIN IN TERMINATION AREA, BOTH OVER 1.27µm MIN NICKEL.
- 3. CONTACT ENGAGING SEQUENCE: BOARDLOCK (ESD), GROUND, SIGNAL
- 4. DATE CODE MAY BE MARKED ON EITHER END.
- 5. ROWS A, C, D, AND F ARE SIGNAL CONTACTS  
ROWS B AND E ARE GROUND CONTACTS.
- 6. CONNECTOR SIZE CAN ACCOMMODATE INDICATED QUANTITY OF DIFFERENTIAL PAIRS.
- 7. COMPONENT HAS NOT PASSED VERIFICATION TESTING.
- 8. OBSOLETE PARTS: OBSOLETE CIS STREAMLINING PER D.RENAUD/D.SINISI



OBSOLETE	216	110.50	95.62	92.04	108.05	88.39	88.90	88.39	72	6367130-7
	96	59.70	44.82	41.24	57.25	37.59	38.10	37.59	32	6367130-6
	72	49.54	34.66	31.08	47.09	27.43	27.94	27.43	24	6367130-5
OBSOLETE	192	100.34	85.46	81.88	97.89	78.23	78.74	78.23	64	6367130-4
	168	90.18	75.30	71.72	87.73	68.07	68.58	68.07	56	6367130-3
	144	80.02	65.14	61.56	77.57	57.91	58.42	57.91	48	6367130-2
	120	69.86	54.98	51.40	67.41	47.75	48.26	47.75	40	6367130-1
N	H DIM	F DIM	E DIM	D DIM	C DIM	B DIM	A DIM	DIFF PAIRS		PART NO.

RECOMMENDED PC BOARD FOOTPRINT  
 COMPONENT SIDE SHOWN  
 SCALE 6:1

DIMENSIONS:		TOLERANCES UNLESS OTHERWISE SPECIFIED:		DWN E. BRIANT 30NOV2005		AMP Tyco Electronics Harrisburg, PA 17105-3608	
mm	0 PLC ±	1 PLC ±0.3	2 PLC ±0.13	3 PLC ±	4 PLC ±	NAME Z-DOK CONNECTOR ASSEMBLY, RECEPTACLE, ESD CONTACTS	
MATERIAL		FINISH		APVD M. WALMSLEY 30NOV2005		SIZE 108-1985	
CUSTOMER DRAWING		SCALE 4:1		WEIGHT		CAGE CODE DRAWING NO 00779	
				PART NO.		REV A1	