



Chipsmall Limited consists of a professional team with an average of over 10 year of expertise in the distribution of electronic components. Based in Hongkong, we have already established firm and mutual-benefit business relationships with customers from,Europe,America and south Asia,supplying obsolete and hard-to-find components to meet their specific needs.

With the principle of "Quality Parts,Customers Priority,Honest Operation,and Considerate Service",our business mainly focus on the distribution of electronic components. Line cards we deal with include Microchip,ALPS,ROHM,Xilinx,Pulse,ON,Everlight and Freescale. Main products comprise IC,Modules,Potentiometer,IC Socket,Relay,Connector.Our parts cover such applications as commercial,industrial, and automotives areas.

We are looking forward to setting up business relationship with you and hope to provide you with the best service and solution. Let us make a better world for our industry!



## Contact us

Tel: +86-755-8981 8866 Fax: +86-755-8427 6832

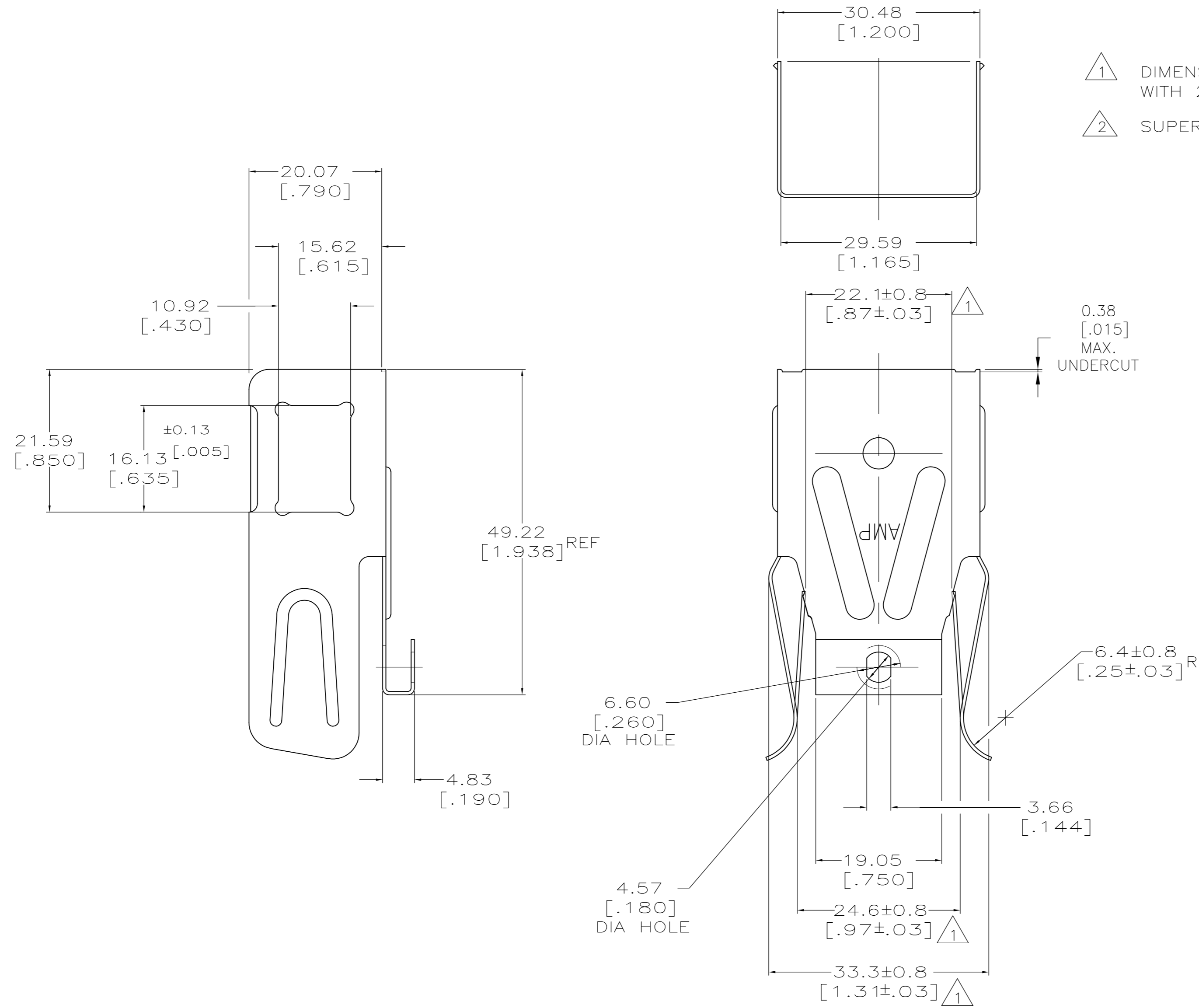
Email & Skype: info@chipsmall.com Web: www.chipsmall.com

Address: A1208, Overseas Decoration Building, #122 Zhenhua RD., Futian, Shenzhen, China



THIS DRAWING IS UNPUBLISHED. RELEASED FOR PUBLICATION  
 © COPYRIGHT BY TYCO ELECTRONICS CORPORATION. ALL RIGHTS RESERVED.

LOC	DIST	REVISIONS					
		P	LTR	DESCRIPTION	DATE	DWN	APVD
AF	50	C1		REVISED PER ECR-08-012911	22MAY08	HMR	CJ
		C2		REVISED PER ECR-15-017388	08DEC15	JJ	TD



OBSOLETE ~~63673-1~~  
 PART NO

THIS DRAWING IS A CONTROLLED DOCUMENT.		DWN	P FORTNEY	9/1/92	Tyco Electronics Corporation Harrisburg, PA 17105-3608
DIMENSIONS: mm [INCHES]		CHK	JR RUTH	9/1/92	
TOLERANCES UNLESS OTHERWISE SPECIFIED:		APVD	D DECKER	9/1/92	
0 PLC ± - 1 PLC ± - 2 PLC ± 0.25 [.010] 3 PLC ± - 4 PLC ± - ANGLES ± -		PRODUCT SPEC	NAME		
MATERIAL: 1/4 HARD STAINLESS STEEL		FINISH	-		APPLICATION SPEC
		WEIGHT	-		114-1028
		CUSTOMER DRAWING	SCALE	2:1	SIZE
			SHEET	1 OF 1	CAGE CODE
			REV	C2	DRAWING NO
					RESTRICTED TO
					A2 00779 C=63673