



Chipsmall Limited consists of a professional team with an average of over 10 year of expertise in the distribution of electronic components. Based in Hongkong, we have already established firm and mutual-benefit business relationships with customers from,Europe,America and south Asia,supplying obsolete and hard-to-find components to meet their specific needs.

With the principle of “Quality Parts,Customers Priority,Honest Operation,and Considerate Service”,our business mainly focus on the distribution of electronic components. Line cards we deal with include Microchip,ALPS,ROHM,Xilinx,Pulse,ON,Everlight and Freescale. Main products comprise IC,Modules,Potentiometer,IC Socket,Relay,Connector.Our parts cover such applications as commercial,industrial, and automotives areas.

We are looking forward to setting up business relationship with you and hope to provide you with the best service and solution. Let us make a better world for our industry!



Contact us

Tel: +86-755-8981 8866 Fax: +86-755-8427 6832

Email & Skype: info@chipsmall.com Web: www.chipsmall.com

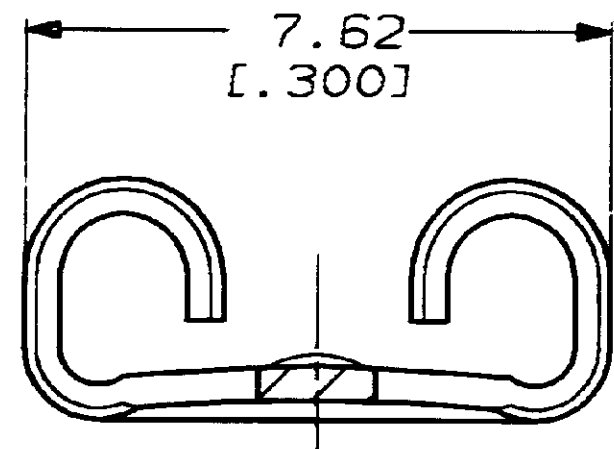
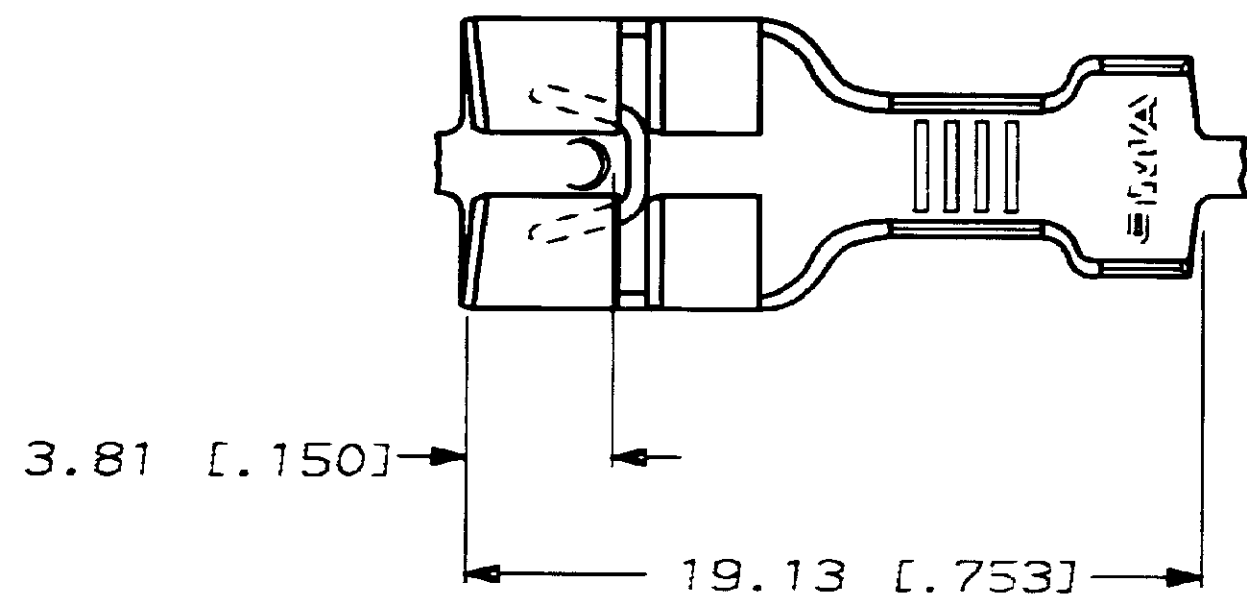
Address: A1208, Overseas Decoration Building, #122 Zhenhua RD., Futian, Shenzhen, China



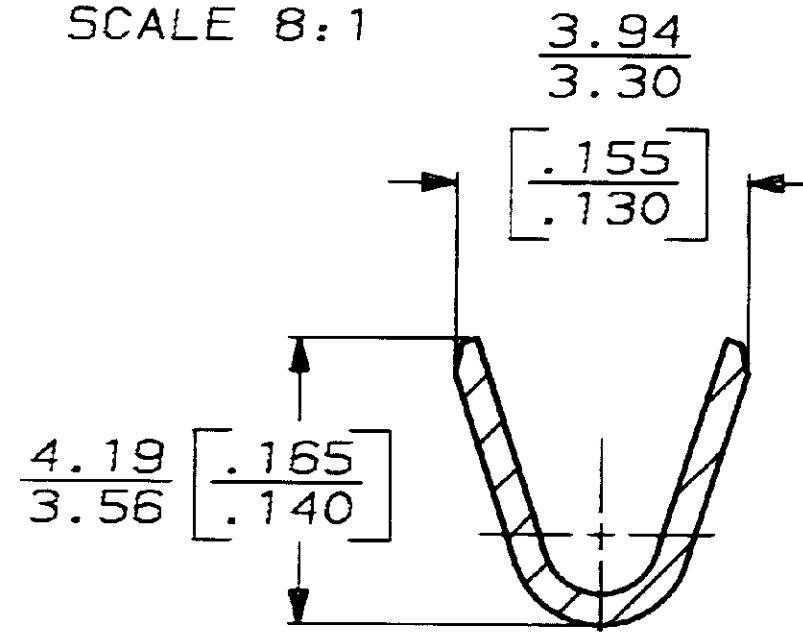
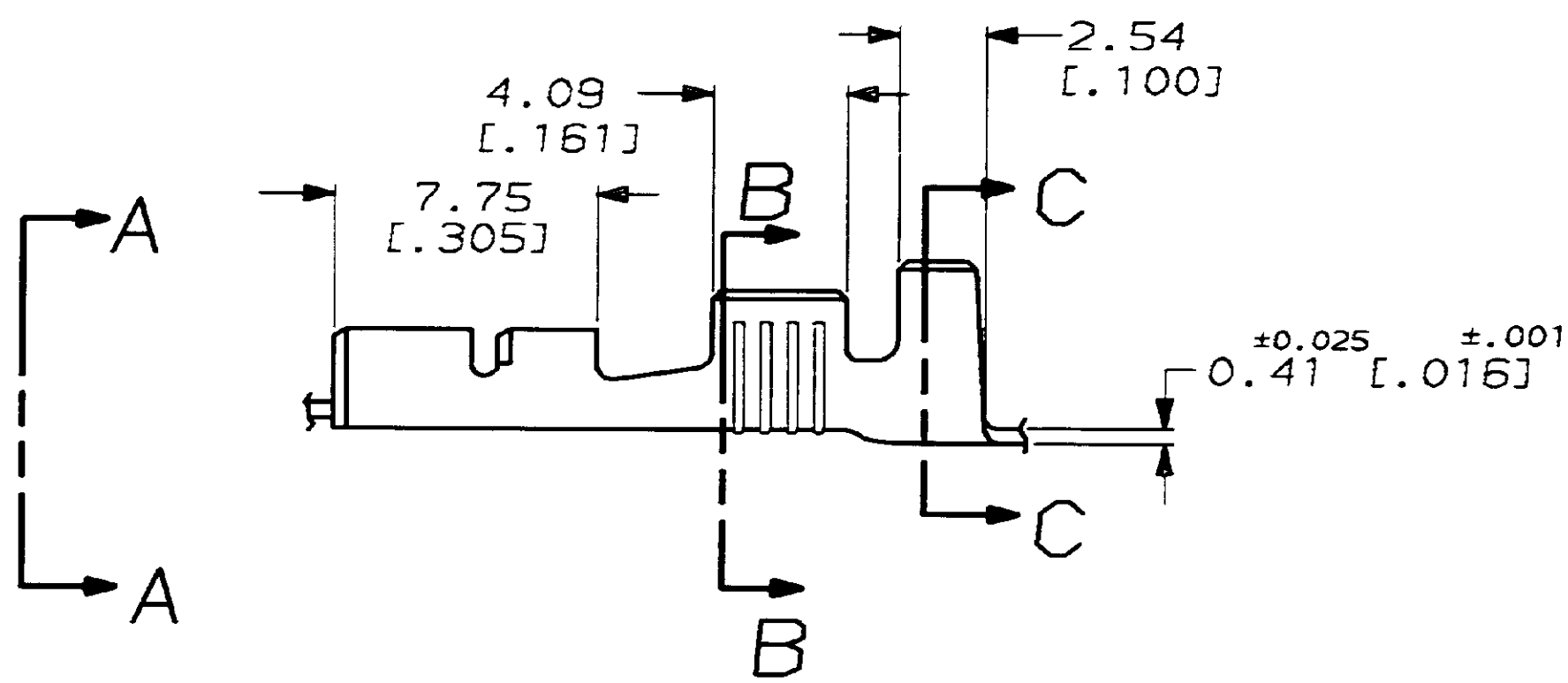
THIS DRAWING IS UNPUBLISHED. RELEASED FOR PUBLICATION .19
 © COPYRIGHT 19 BY AMP INCORPORATED. ALL INTERNATIONAL RIGHTS RESERVED.

LOC		DIST		P		F		ZONE		LTR		REVISIONS		DATE	APPD
AF		50								A		REL PER 0197-93		6/11/93	-

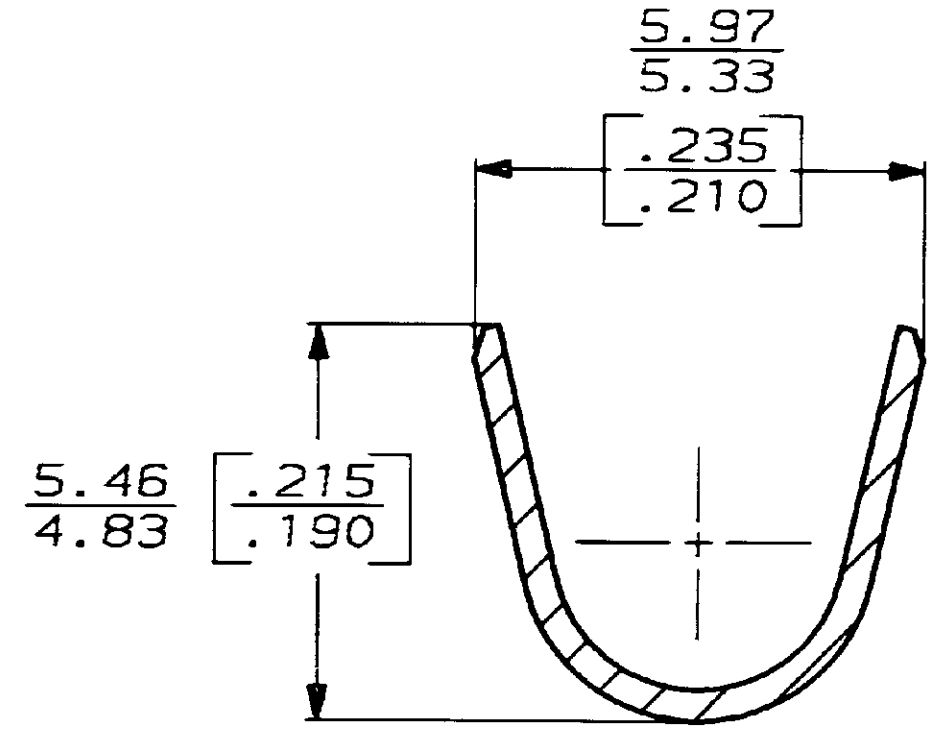
1 CONTINUOUS STRIP ON REELS.



VIEW A-A
SCALE 8:1



SECTION B-B
SCALE 8:1



SECTION C-C
SCALE 8:1

3.05-4.32 DIA [.120-.170] DIA		0.8-2.0mm ² [18-14] AWG		0.81 [.032]		63674-1	
INSUL RANGE		WIRE SIZE		MATING TAB THK ±0.025 [.001]		PART NO.	
F	4.57 [.180]	5.59 [.220]	F	2.79 [.110]	1.47 [.058]	0.8mm ² [#18]	DO NOT SCALE PRINT. UNLESS SPECIFIED DIMENSIONS ARE IN METRIC TOLERANCES ON: 2 PLC DEC ± 0.25 [.010] 3 PLC DEC ± - ANGLES ± - MATERIAL TEMP 2 STEEL FINISH NICKEL 0.00381 [.000150] MIN DR 11/5/92 JR RUTH CHK 11/5/92 MS FEHER APPD 11/5/92 C MEYERS APPD 11/5/92 R REINER PRODUCT SPEC APPLICATION SPEC WEIGHT -
					1.62 [.064]	1.3mm ² [#16]	
					1.85 [.073]	2.0mm ² [#14]	
TYPE	WIDTH	STRIP LENGTH ±.015	TYPE	WIDTH	±0.051 [.0023] HEIGHT	WIRE	AMP INCORPORATED Harrisburg, Pa. 17105 NAME RECEPTACLE, FASTON, LOW-INSERTION 6.35 [.250] SERIES SIZE B SCALE 4:1 FSCM NO 00779 DRAWING NO 63674 SHEET 1 OF 1
INSUL BARREL CRIMP			WIRE BARREL CRIMP				