



Chipsmall Limited consists of a professional team with an average of over 10 year of expertise in the distribution of electronic components. Based in Hongkong, we have already established firm and mutual-benefit business relationships with customers from,Europe,America and south Asia,supplying obsolete and hard-to-find components to meet their specific needs.

With the principle of “Quality Parts,Customers Priority,Honest Operation,and Considerate Service”,our business mainly focus on the distribution of electronic components. Line cards we deal with include Microchip,ALPS,ROHM,Xilinx,Pulse,ON,Everlight and Freescale. Main products comprise IC,Modules,Potentiometer,IC Socket,Relay,Connector.Our parts cover such applications as commercial,industrial, and automotives areas.

We are looking forward to setting up business relationship with you and hope to provide you with the best service and solution. Let us make a better world for our industry!



Contact us

Tel: +86-755-8981 8866 Fax: +86-755-8427 6832

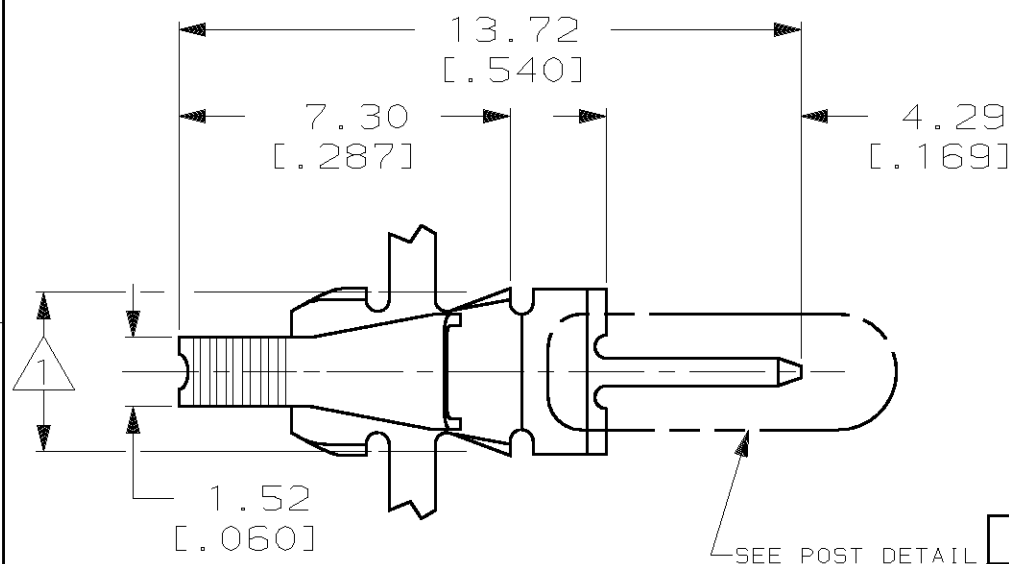
Email & Skype: info@chipsmall.com Web: www.chipsmall.com

Address: A1208, Overseas Decoration Building, #122 Zhenhua RD., Futian, Shenzhen, China



THIS DRAWING IS UNPUBLISHED. RELEASED FOR PUBLICATION, 19
 © COPYRIGHT 19 BY AMP INCORPORATED. ALL INTERNATIONAL RIGHTS RESERVED.

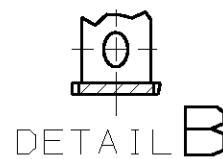
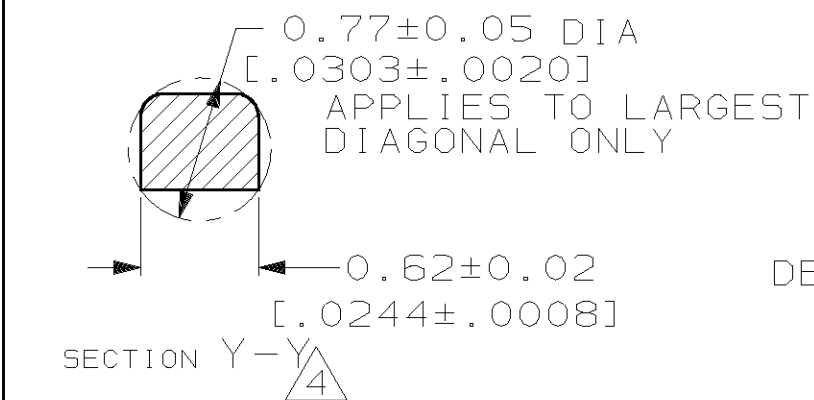
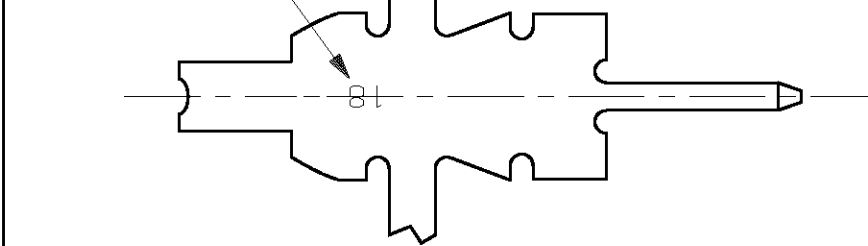
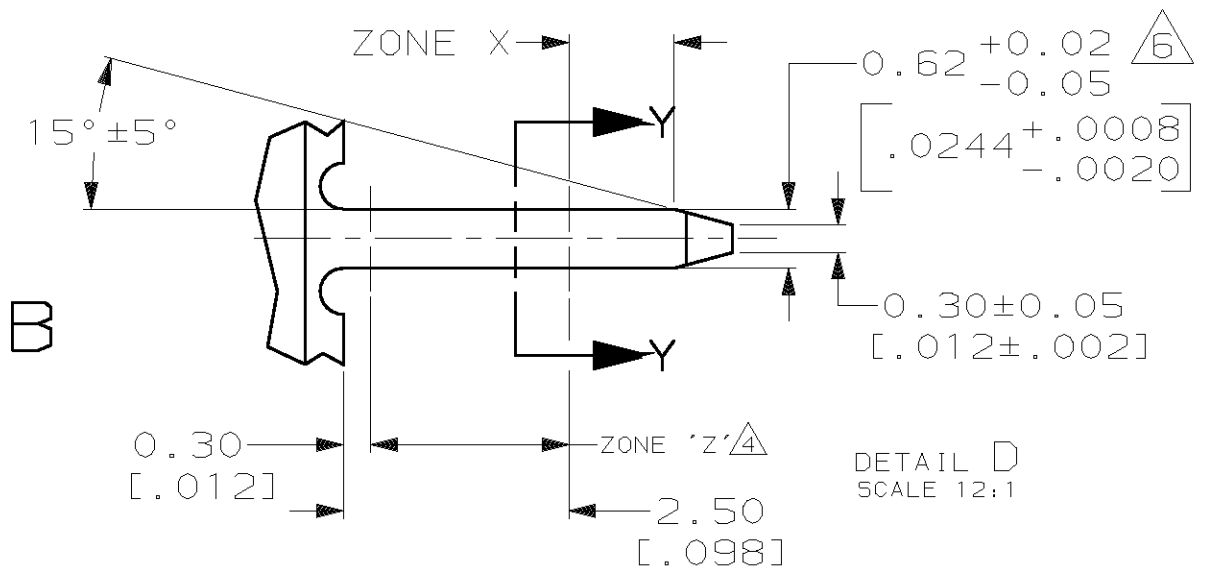
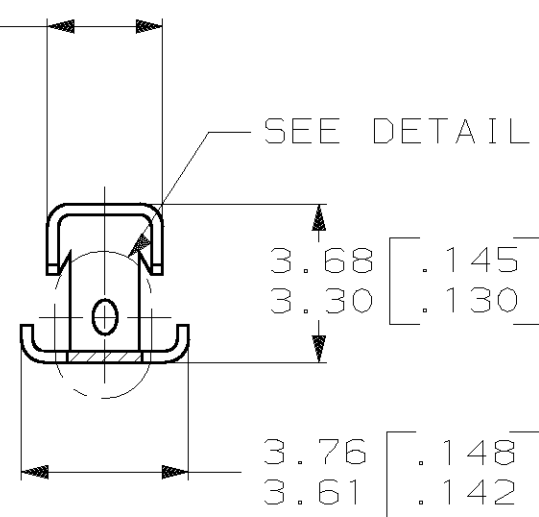
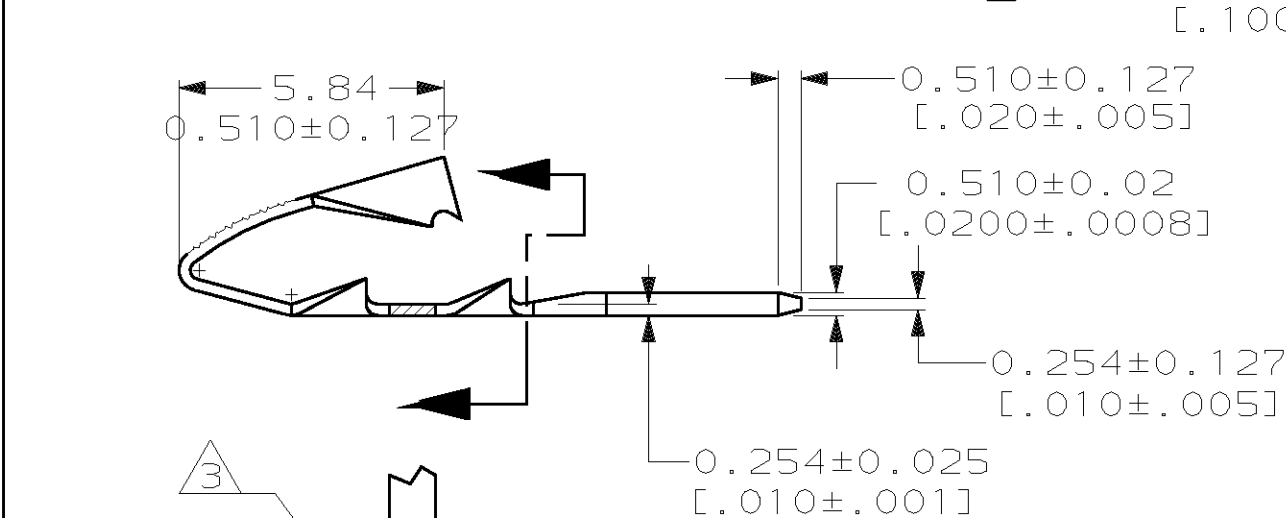
LOC	DIST	P	F	REVISIONS				
AF	50			ZONE	LTR	DESCRIPTION	DATE	APPD
				L		REL PER 063A-0250-02	15MAY02	JR/KR



△ 4 DIMENSIONS OF SECTION Y-Y APPLY IN ZONE Z ONLY.

△ 6 DIMENSION APPLIES IN ZONE X ONLY.

- △ 1 3.78±0.13 [.149±.005] APPLICATOR CUT-OFF.
- 2 CONTINUOUS STRIP ON REELS WITH TERMINALS LOCATED ON 6.10±0.08 [.240±.003] CENTERS.
- △ 3 IDENTIFICATION NUMBER 18 FOR MAGNET WIRE RANGE.



THIS DRAWING IS A CONTROLLED DOCUMENT FOR AMP INCORPORATED. IT IS SUBJECT TO CHANGE AND THE CONTROLLING ENGINEERING ORGANIZATION SHOULD BE CONTACTED FOR THE LATEST REVISION.

	0.10-0.25mm [#38-#30] AWG	H04 PRE-MILLED PHOS. BRONZE	63675-4
OBSOLETE	0.10-0.25mm [#38-#30] AWG	H04 PRE-MILLED PHOS. BRONZE	63675-3
OBSOLETE	0.10-0.25mm [#38-#30] AWG	H04 PRE-MILLED PHOS. BRONZE	63675-2
OBSOLETE	0.10-0.25mm [#38-#30] AWG	H02 PRE-MILLED BRASS	63675-1
	MAGNET WIRE RANGE	MATERIAL	PART NO

DO NOT SCALE PRINT. UNLESS SPECIFIED DIMENSIONS IN mm [INCHES] TOLERANCES ON: 2 PLC DEC ± 0.25 [.010] 3 PLC DEC ± - ANGLES ± 1°	DR 10/6/92 MICHAEL S. FEHER CHK 10/7/92 JEFF R. RUTH APPD 10/12/92 NELSON E. NEFF APPD 10/12/92 TERRY L. SHUTTER
MATERIAL SEE ABOVE	PRODUCT SPEC 108-2016
FINISH 0.001016 [.000040] MIN TIN PLATE	APPLICATION SPEC 114-2047
	WEIGHT -

AMP AMP Incorporated Harrisburg, PA 17105-3608		
NAME POST, 0.62 [.024] X 0.51 [.020], MINI MAG-MATE™		
SIZE B	CAGE CODE 00779	DRAWING NO C-63675
SCALE 6:1	SHEET 1 OF 1	