



Chipsmall Limited consists of a professional team with an average of over 10 year of expertise in the distribution of electronic components. Based in Hongkong, we have already established firm and mutual-benefit business relationships with customers from,Europe,America and south Asia,supplying obsolete and hard-to-find components to meet their specific needs.

With the principle of “Quality Parts,Customers Priority,Honest Operation,and Considerate Service”,our business mainly focus on the distribution of electronic components. Line cards we deal with include Microchip,ALPS,ROHM,Xilinx,Pulse,ON,Everlight and Freescale. Main products comprise IC,Modules,Potentiometer,IC Socket,Relay,Connector.Our parts cover such applications as commercial,industrial, and automotives areas.

We are looking forward to setting up business relationship with you and hope to provide you with the best service and solution. Let us make a better world for our industry!



## Contact us

Tel: +86-755-8981 8866 Fax: +86-755-8427 6832

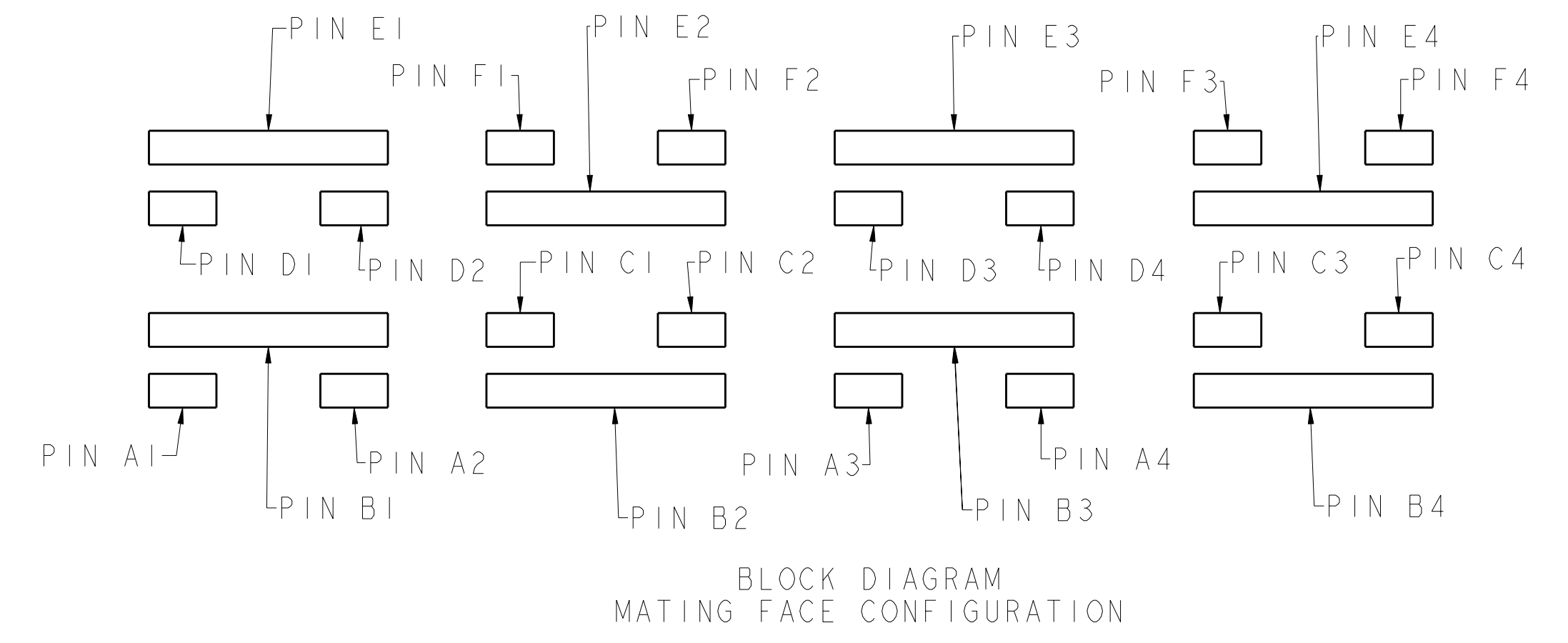
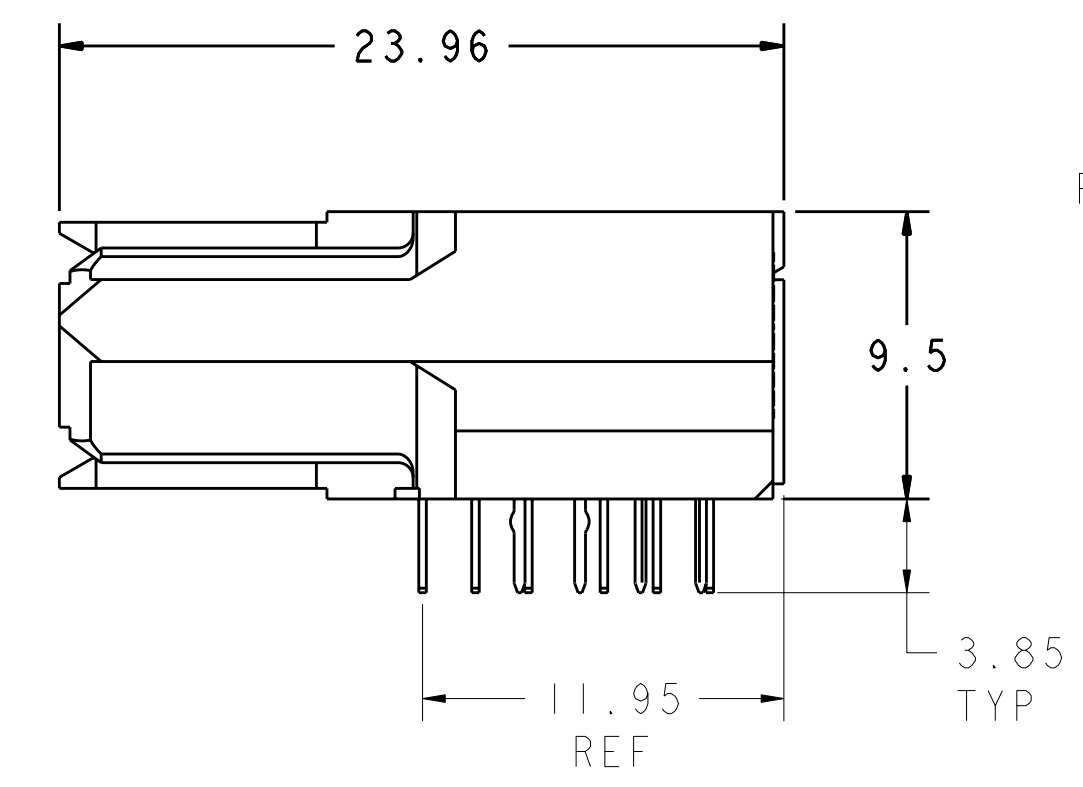
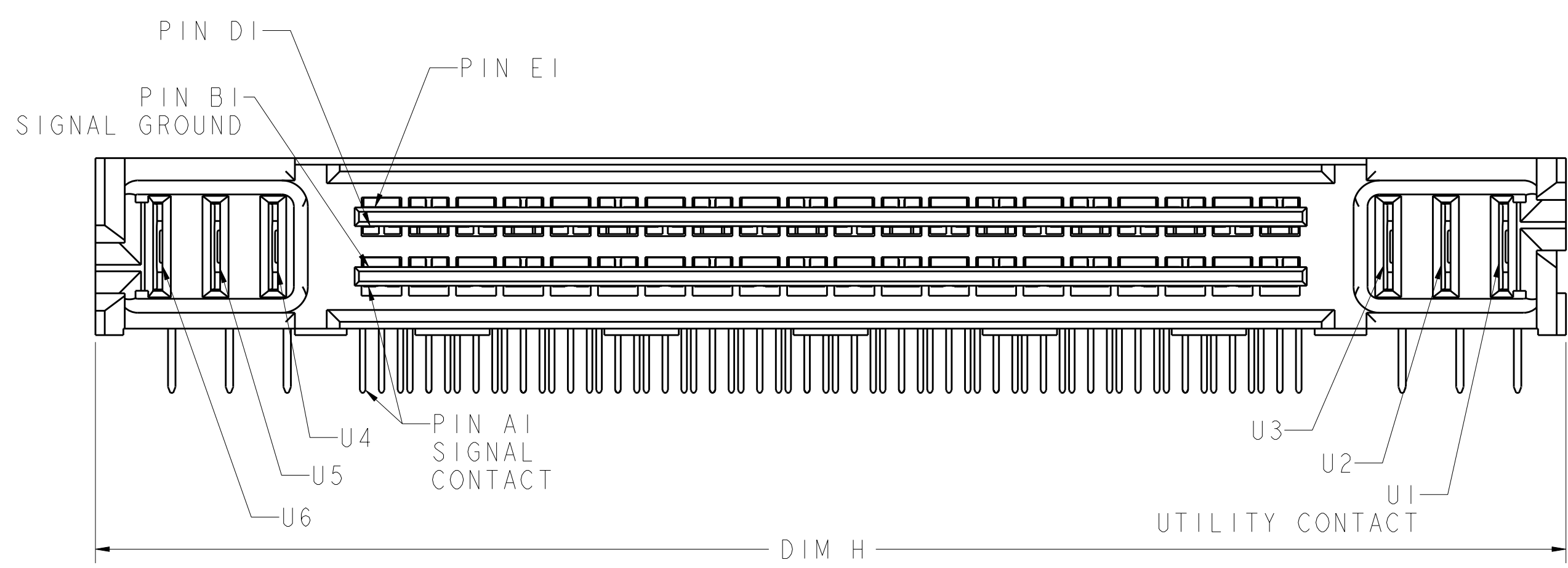
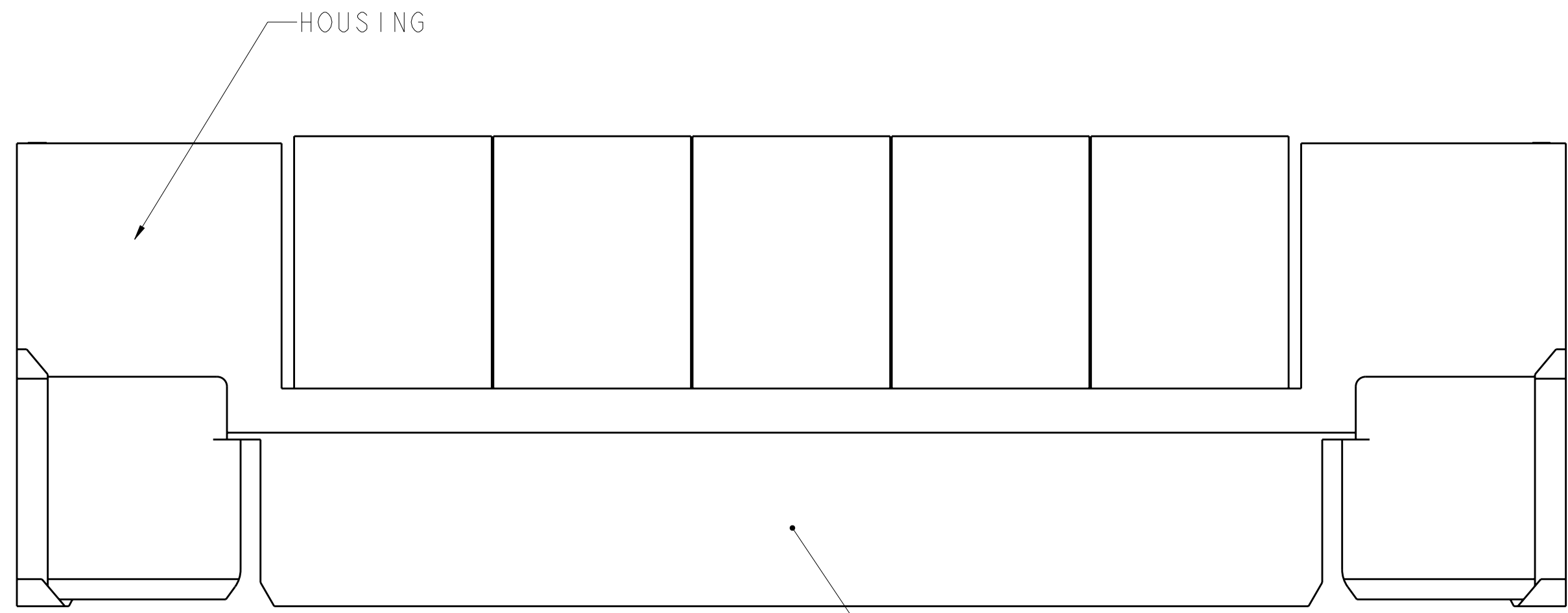
Email & Skype: info@chipsmall.com Web: www.chipsmall.com

Address: A1208, Overseas Decoration Building, #122 Zhenhua RD., Futian, Shenzhen, China

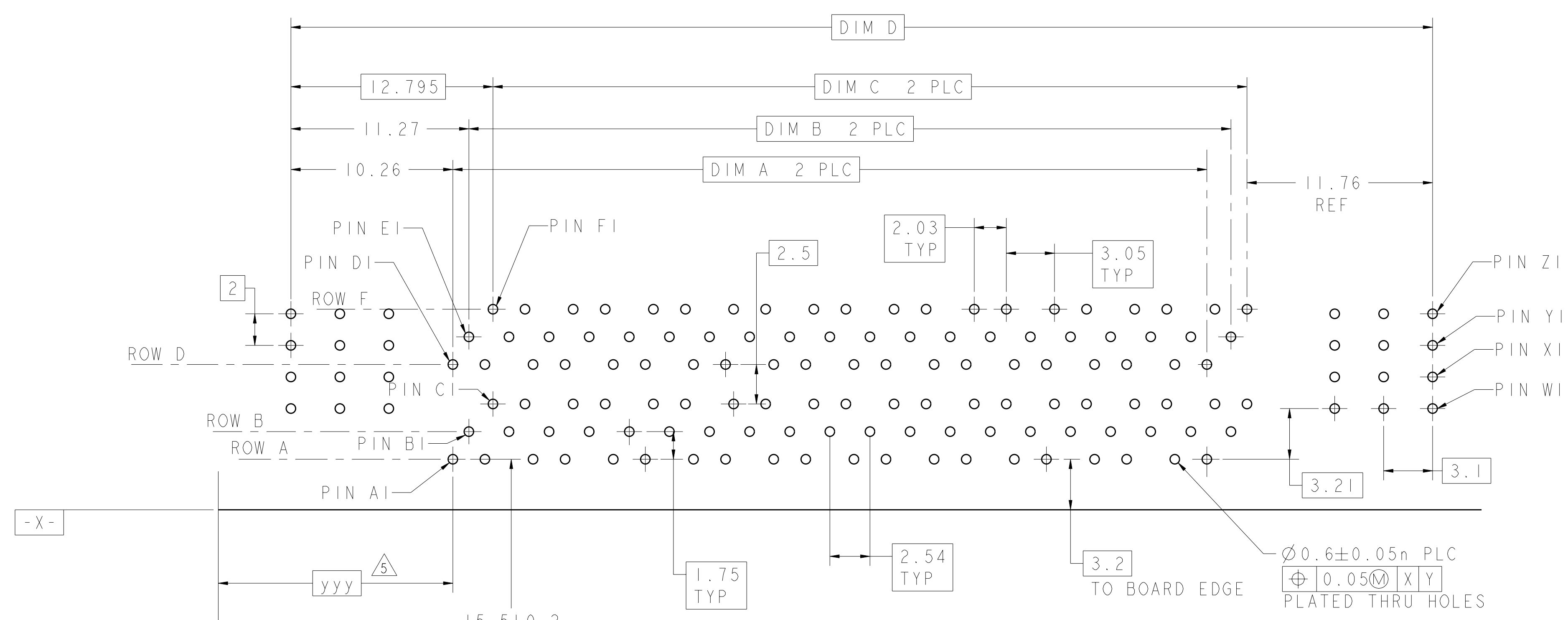


LOC	DIST	REV	DATE	BY	CHKD	APVD
GP	00	B	18AUG2008	ZMR	EDB	
		C	09DEC2010	CJV	EJB	

- △ HOUSINGS: POLYESTER, UL 94V-0 RATED, NATURAL
- △ SIGNAL AND SIGNAL GROUND CONTACTS: COPPER ALLOY
- △ UTILITY CONTACTS: PHOSPHOR BRONZE
- △ UTILITY CONTACTS: 0.76µm MIN GOLD IN CONTACT AREA,  
2.54µm MIN TIN ON PCB TAILS, OVER 1.27µm MIN NICKEL OVER ALL.
- △ SIGNAL AND SIGNAL GROUND CONTACTS: 0.76µm MIN GOLD IN CONTACT AREA,  
2.54µm MIN TIN ON PCB TAILS, OVER 1.27µm MIN NICKEL OVER ALL.
- 3. ROWS A, C, D, AND F ARE SIGNAL CONTACTS. ROWS B AND E ARE SIGNAL GROUND CONTACTS.
- △ CONNECTOR SIZE CAN ACCOMMODATE INDICATED QUANTITY OF DIFFERENTIAL PAIRS.
- △ DIMENSIONS PER CUSTOMER BOARD LAYOUT.
- △ COMPANY LOGO IN APPROXIMATE AREA SHOWN.



LOADED UTILITY CONTACTS						
NO	NO	YES	YES	YES	YES	2-6367550-7
YES	YES	YES	YES	YES	YES	6367550-9
YES	YES	YES	YES	YES	YES	6367550-8
YES	YES	YES	YES	YES	YES	6367550-7
YES	YES	YES	YES	YES	YES	6367550-6
YES	YES	YES	YES	YES	YES	6367550-5
YES	YES	YES	YES	YES	YES	6367550-4
YES	YES	YES	YES	YES	YES	6367550-3
YES	YES	YES	YES	YES	YES	6367550-2
YES	YES	YES	YES	YES	YES	6367550-1
U6	U5	U4	U3	U2	U1	PART NUMBER



192	99.32	92.62	68.58	68.07	56	2-6367550-7
240	119.64	112.94	88.90	88.39	72	6367550-9
216	109.48	102.78	78.74	78.23	64	6367550-8
192	99.32	92.62	68.58	68.07	56	6367550-7
168	89.16	82.46	58.42	57.91	48	6367550-6
144	79.00	72.30	48.26	47.75	40	6367550-5
120	68.84	62.14	38.10	37.59	32	6367550-4
96	58.68	51.98	27.94	27.43	24	6367550-3
72	48.52	41.82	17.78	17.27	16	6367550-2
48	38.36	31.66	7.62	7.11	8	6367550-1
N	H DIM	D DIM	B DIM	A OR C DIM	DIFF PAIRS	PART NUMBER

SPACING TO ADAPTER BOARD CONNECTOR PIN AI LOCATION

RECOMMENDED PC BOARD FOOTPRINT COMPONENT SIDE SHOWN SCALE: 5:1

DIMENSIONS: mm 		TOLERANCES UNLESS OTHERWISE SPECIFIED: 9 PLC ±0.3 1 PLC ±0.25 5 PLC ±0.25 4 PLC ±0.25 ANGLES ±		DWN BY: VAN SCOIO CHK: E. BRIANT APVD: E. BRIANT DATE: 09SEPT05 NAME: Z-DOK+ HOST BOARD CONNECTOR ASSEMBLY, 8-72 SIGNAL DIFF. PAIR, 3 UTILITY CONTACTS PER SIDE PRODUCT SPEC: 108-1985 APPLICATION SPEC: 114-13068 WEIGHT: - CUSTOMER DRAWING		Tyco Electronics Harrisburg, PA 17105-3608 SIZE: A1 CAGE CODE: 00779 DRAWING NO: 6367550 SCALE: 4:1 SHEET: 1 OF 1 REV: C	
--------------------	--	---	--	---	--	---	--