

Chipsmall Limited consists of a professional team with an average of over 10 year of expertise in the distribution of electronic components. Based in Hongkong, we have already established firm and mutual-benefit business relationships with customers from,Europe,America and south Asia,supplying obsolete and hard-to-find components to meet their specific needs.

With the principle of “Quality Parts,Customers Priority,Honest Operation,and Considerate Service”,our business mainly focus on the distribution of electronic components. Line cards we deal with include Microchip,ALPS,ROHM,Xilinx,Pulse,ON,Everlight and Freescale. Main products comprise IC,Modules,Potentiometer,IC Socket,Relay,Connector.Our parts cover such applications as commercial,industrial, and automotives areas.

We are looking forward to setting up business relationship with you and hope to provide you with the best service and solution. Let us make a better world for our industry!



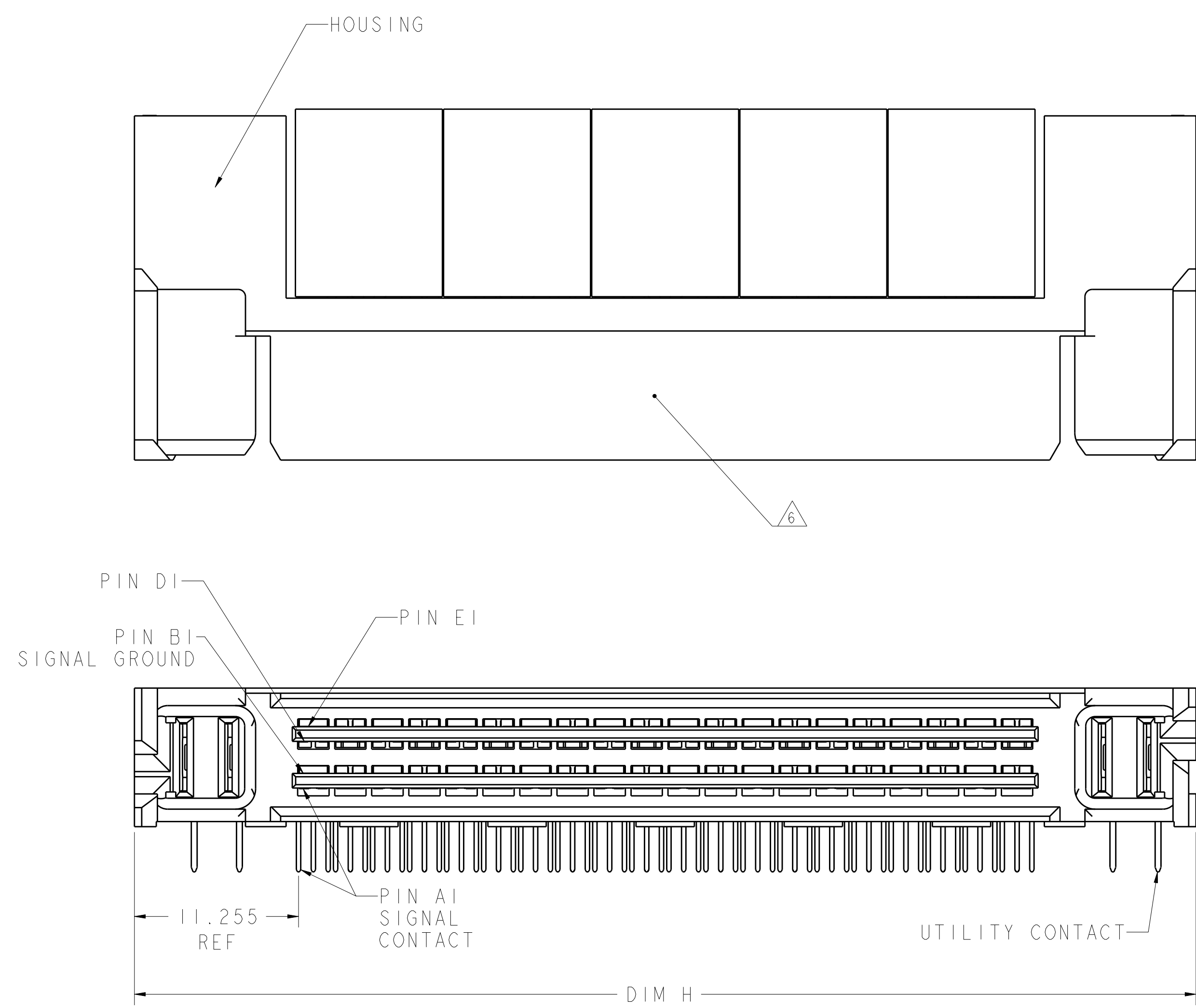
Contact us

Tel: +86-755-8981 8866 Fax: +86-755-8427 6832

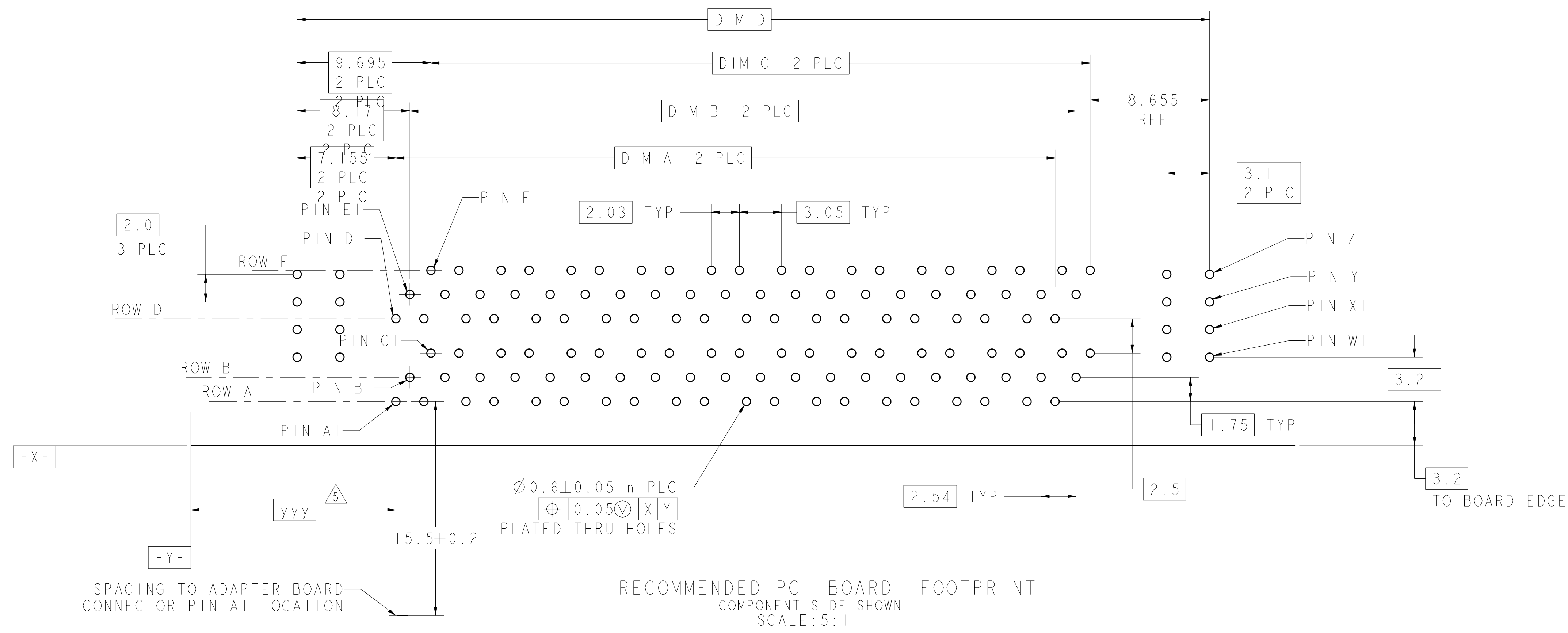
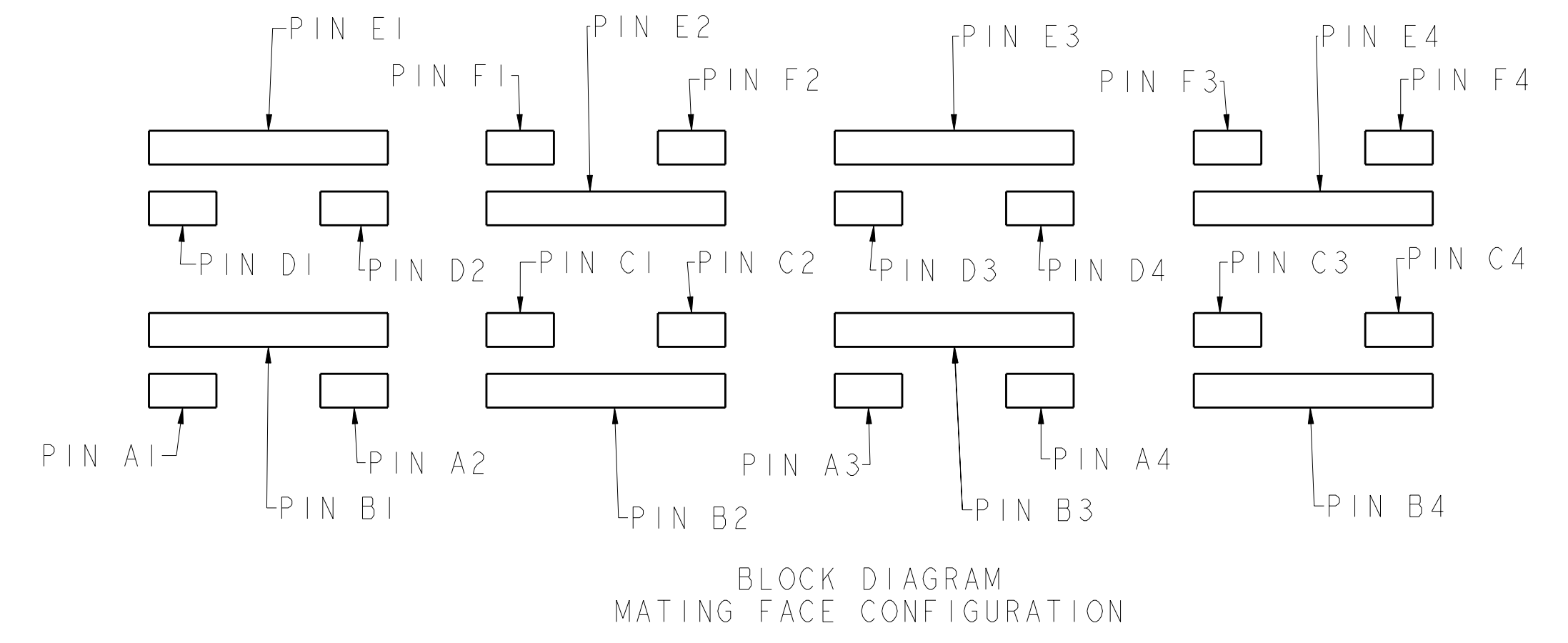
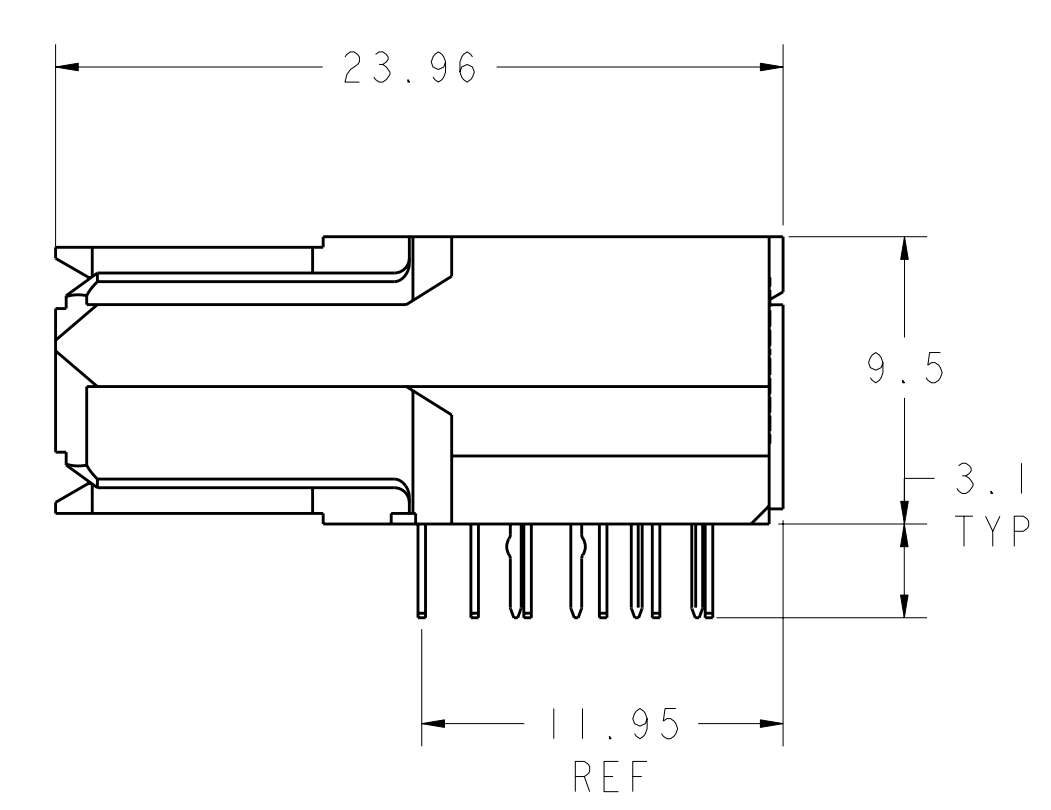
Email & Skype: info@chipsmall.com Web: www.chipsmall.com

Address: A1208, Overseas Decoration Building, #122 Zhenhua RD., Futian, Shenzhen, China

LOC	DIST	REV	DATE	BY	APPD
GP	00	B	14DEC2010	CJV	EJB
		REVISIONS			
		DESCRIPTION	DATE	BY	APPD
		B	14DEC2010	CJV	EJB
		REVISED PER ECO-10-012356			



- △ HOUSINGS; POLYESTER, UL 94 V-0 RATED, NATURAL SIGNAL AND SIGNAL GROUND CONTACTS: COPPER ALLOY UTILITY CONTACTS: PHOSPHOR BRONZE
- △ UTILITY CONTACTS: 0.76um MIN GOLD IN CONTACT AREA, 2.54um MIN TIN ON PCB TAILS, OVER 1.27um MIN NICKEL OVER ALL. SIGNAL AND SIGNAL GROUND CONTACTS: 0.76um MIN GOLD IN CONTACT AREA, 2.54um MIN TIN ON PCB TAILS, OVER 1.27um MIN NICKEL OVER ALL.
- 3. ROWS A, C, D, AND F ARE SIGNAL CONTACTS. ROWS B AND E ARE SIGNAL GROUND CONTACTS.
- △ CONNECTOR SIZE CAN ACCOMMODATE INDICATED QUANTITY OF DIFFERENTIAL PAIRS.
- △ DIMENSIONS PER CUSTOMER BOARD LAYOUT.
- △ COMPANY LOGO IN APPROXIMATE AREA SHOWN.



232	113.44	106.74	88.90	88.39	72	6367580-9
208	103.28	96.58	78.74	78.23	64	6367580-8
184	93.12	86.42	68.58	68.07	56	6367580-7
160	82.96	76.26	58.42	57.91	48	6367580-6
136	72.80	66.10	48.26	47.75	40	6367580-5
112	62.64	55.94	38.10	37.59	32	6367580-4
88	52.48	45.78	27.94	27.43	24	6367580-3
64	42.32	35.62	17.78	17.27	16	6367580-2
40	32.16	25.46	7.62	7.11	8	6367580-1
N	H DIM	D DIM	B DIM	A OR C DIM	DIFF PAIRS △	PART NUMBER

DIMENSIONS: mm 		TOLERANCES UNLESS OTHERWISE SPECIFIED: 9 PLC ± .3 1 PLC ± .25 2 PLC ± .25 3 PLC ± .25 4 PLC ± .25 ANGLES ± .1		DWN: WM VAN SCOIC 27MAR05 CHK: N. REESER 27MAR05 APVD: N. REESER 27MAR05 PRODUCT SPEC: 108-1985 APPLICATION SPEC: 114-13068 WEIGHT: - CUSTOMER DRAWING		Tyco Electronics Harrisburg, PA 17105-3608 NAME: Z-DOK+ HOST BOARD CONNECTOR ASSEMBLY, 8-72 SIGNAL DIFF. PAIR, 2 UTILITY CONTACTS PER SIDE SIZE: A11 CAGE CODE: 00779 DRAWING NO: 6367580 RESTRICTED TO: B	
MATERIAL: △ FINISH: △		SCALE: 4:1 SHEET: 1 OF 1 REV: B					