



Chipsmall Limited consists of a professional team with an average of over 10 year of expertise in the distribution of electronic components. Based in Hongkong, we have already established firm and mutual-benefit business relationships with customers from,Europe,America and south Asia,supplying obsolete and hard-to-find components to meet their specific needs.

With the principle of “Quality Parts,Customers Priority,Honest Operation,and Considerate Service”,our business mainly focus on the distribution of electronic components. Line cards we deal with include Microchip,ALPS,ROHM,Xilinx,Pulse,ON,Everlight and Freescale. Main products comprise IC,Modules,Potentiometer,IC Socket,Relay,Connector.Our parts cover such applications as commercial,industrial, and automotives areas.

We are looking forward to setting up business relationship with you and hope to provide you with the best service and solution. Let us make a better world for our industry!



## Contact us

Tel: +86-755-8981 8866 Fax: +86-755-8427 6832

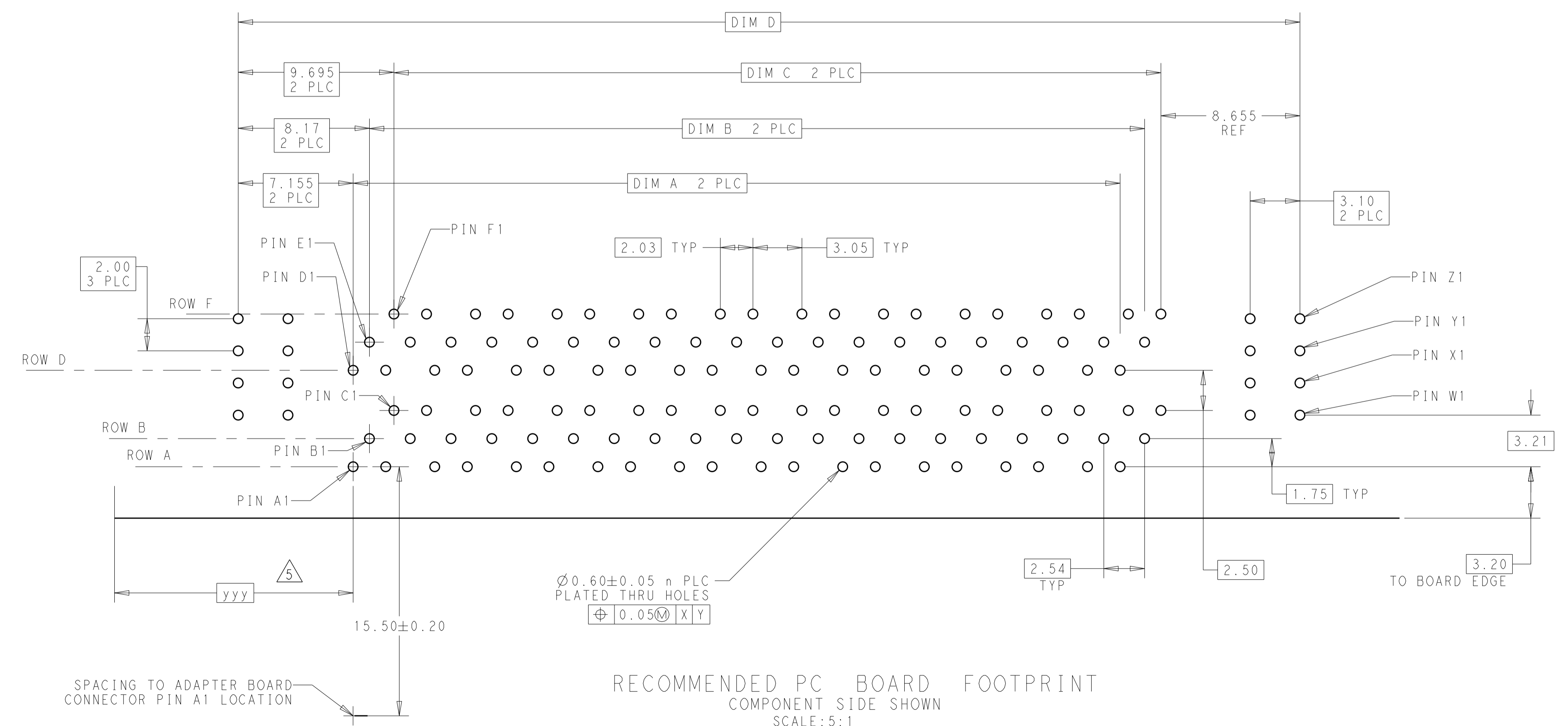
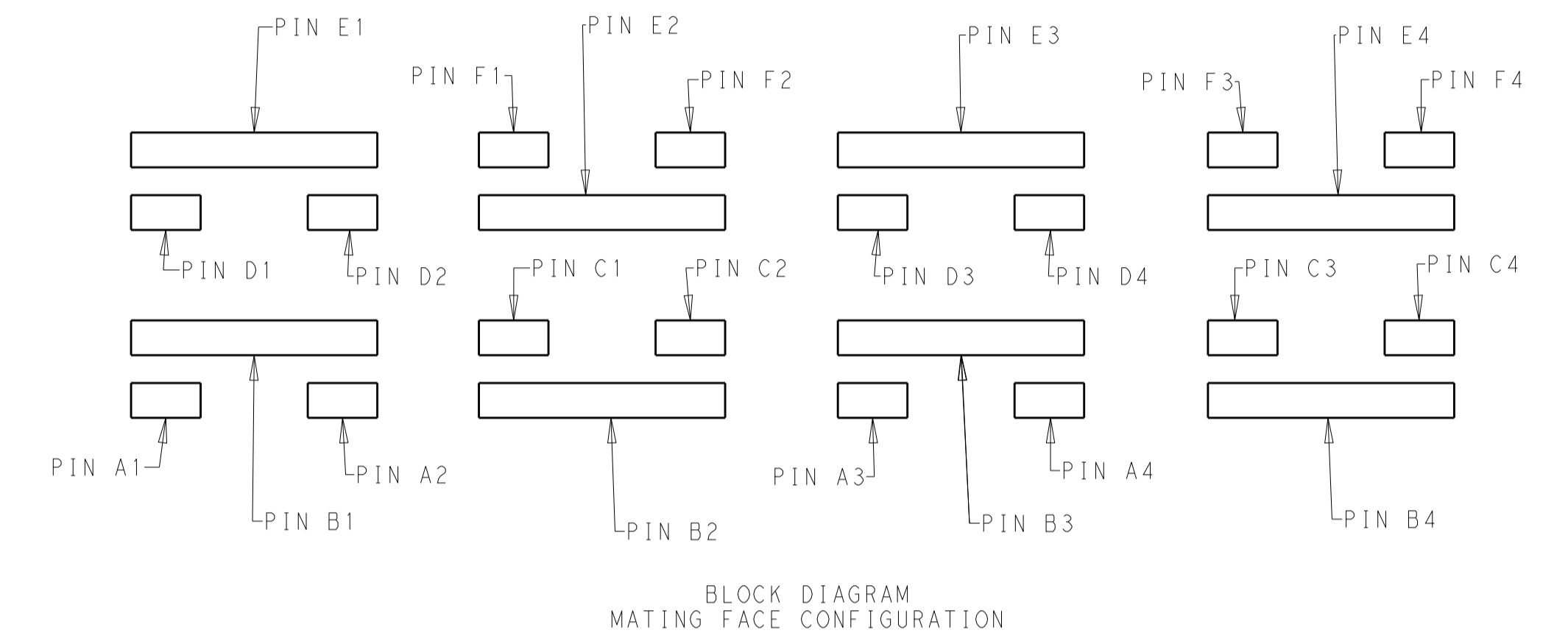
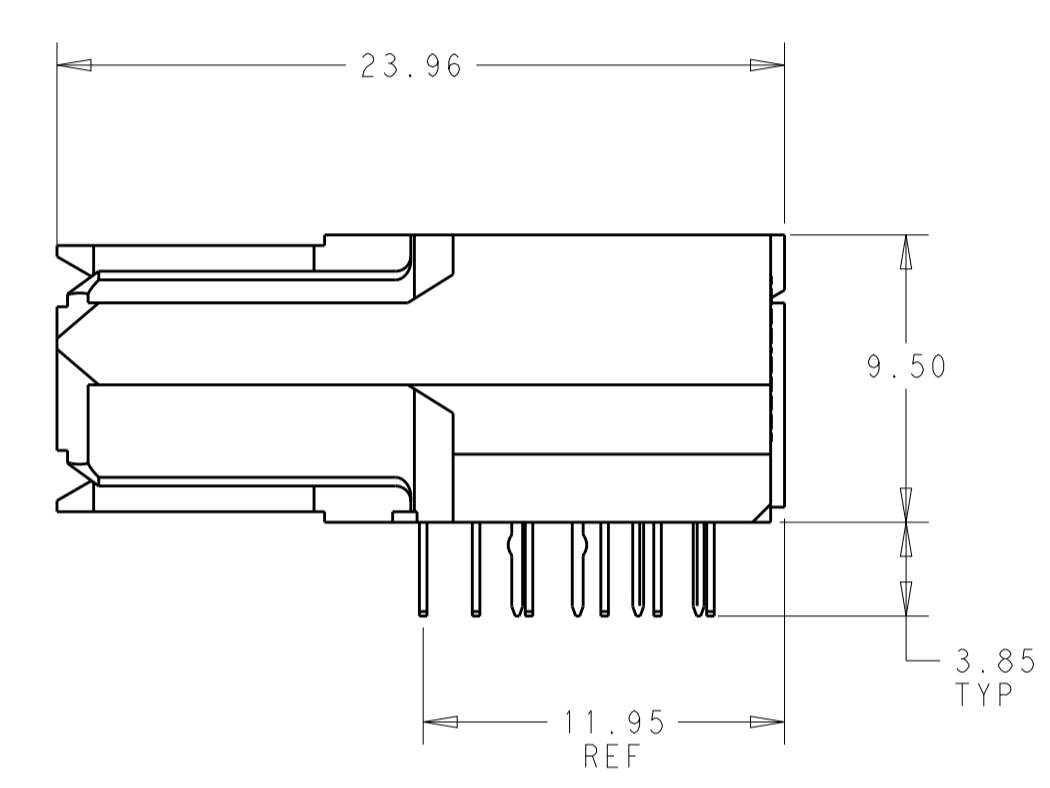
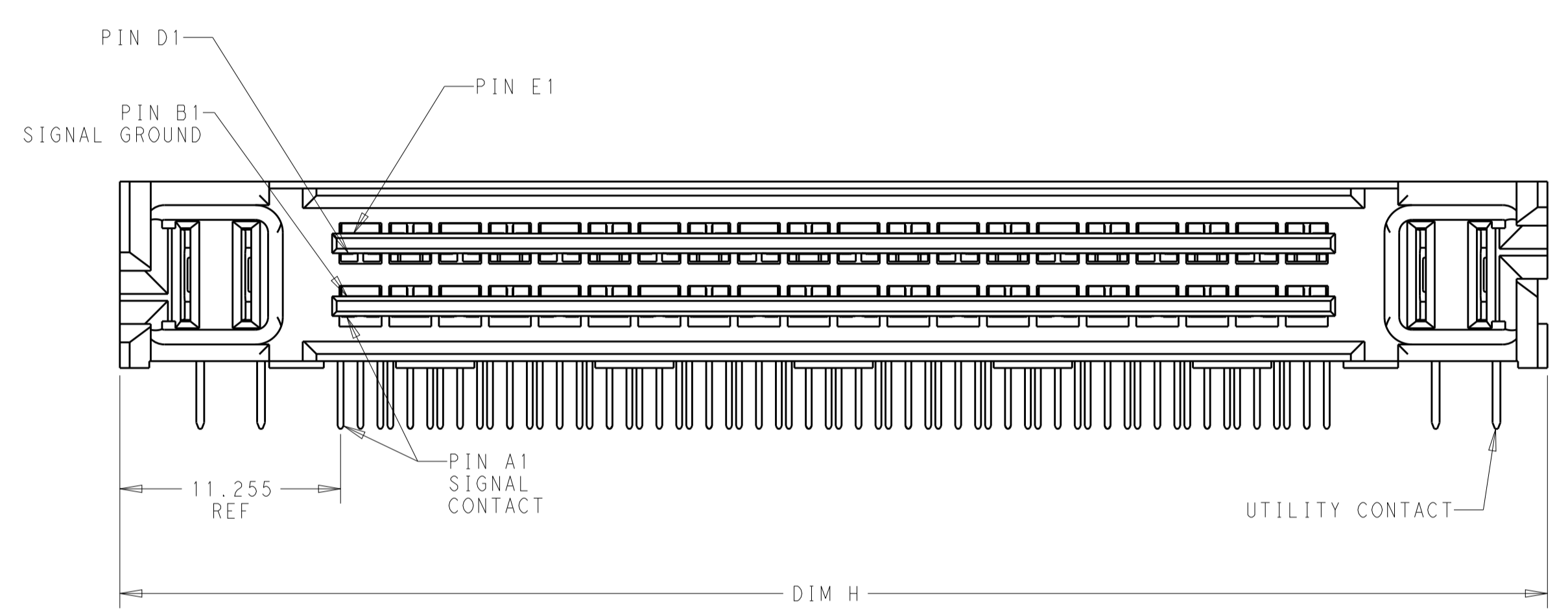
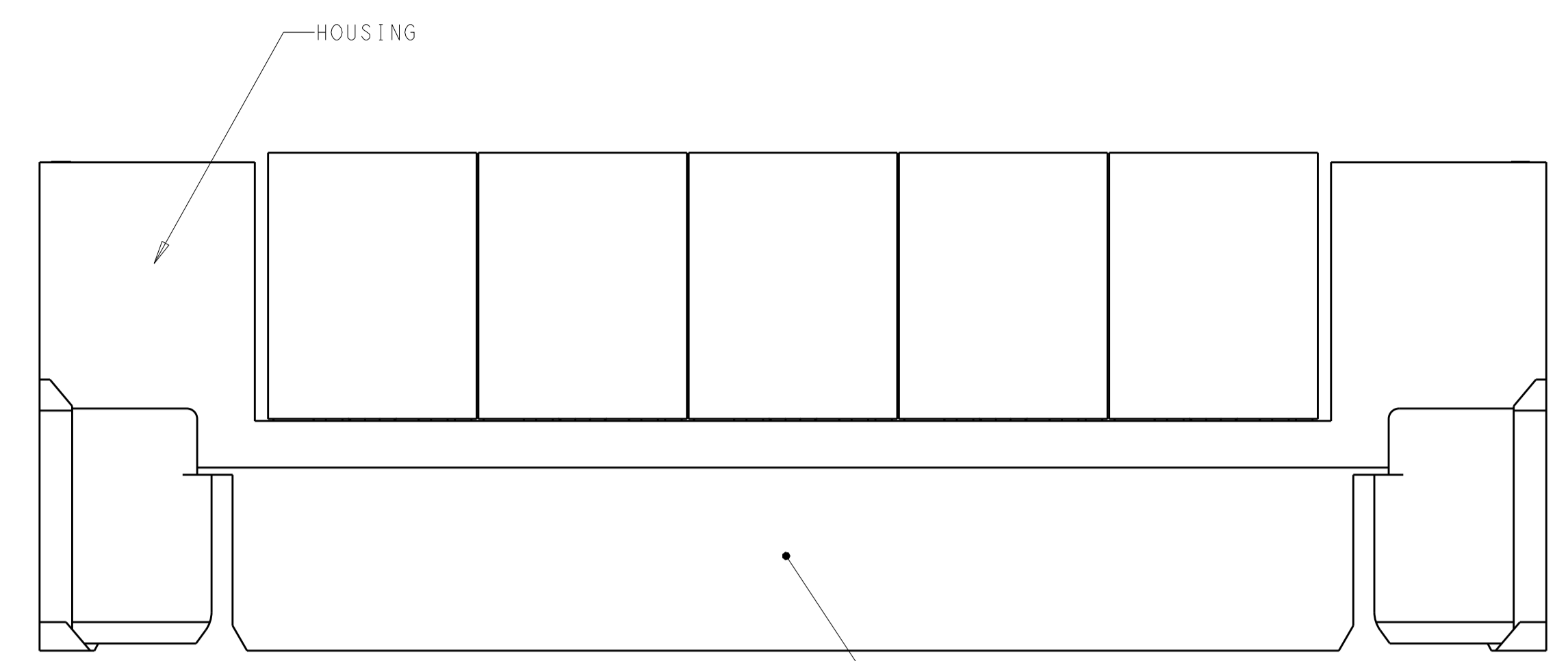
Email & Skype: info@chipsmall.com Web: www.chipsmall.com

Address: A1208, Overseas Decoration Building, #122 Zhenhua RD., Futian, Shenzhen, China



REVISIONS				
P	LTN	DESCRIPTION	DATE	APP'D
B		REVISED PER ECO-10-012356	16DEC2010	CJV EJB
C		ECO-15-006497	18APR2016	LL SH

- △ HOUSINGS; POLYESTER, UL 94V-0 RATED, NATURAL  
 SIGNAL AND SIGNAL GROUND CONTACTS: COPPER ALLOY  
 UTILITY CONTACTS: PHOSPHOR BRONZE
- △ UTILITY CONTACTS: 0.76µm MIN GOLD IN CONTACT AREA,  
 2.54µm MIN TIN ON PCB TAILS, OVER 1.27µm MIN NICKEL OVER ALL.  
 SIGNAL AND SIGNAL GROUND CONTACTS: 0.76µm MIN GOLD IN CONTACT AREA,  
 2.54µm MIN TIN ON PCB TAILS, OVER 1.27µm MIN NICKEL OVER ALL.
- 3. ROWS A, C, D, AND F ARE SIGNAL CONTACTS. ROWS B AND E ARE SIGNAL GROUND CONTACTS.
- △ CONNECTOR SIZE CAN ACCOMMODATE INDICATED QUANTITY OF DIFFERENTIAL PAIRS.
- △ DIMENSIONS PER CUSTOMER BOARD LAYOUT.
- △ COMPANY LOGO IN APPROXIMATE AREA SHOWN.
- △ OBSOLETE PART.



△	232	113.44	106.74	88.90	88.39	72	6367680-9
△	208	103.28	96.58	78.74	78.23	64	6367680-8
△	184	93.12	86.42	68.58	68.07	56	6367680-7
△	160	82.96	76.26	58.42	57.91	48	6367680-6
△	136	72.80	66.10	48.26	47.75	40	6367680-5
	112	62.64	55.94	38.10	37.59	32	6367680-4
	88	52.48	45.78	27.94	27.43	24	6367680-3
	64	42.32	35.62	17.78	17.27	16	6367680-2
△	40	32.16	25.46	7.62	7.11	8	6367680-1
	N	H DIM	D DIM	B DIM	A OR C DIM	DIFF PAIRS △	PART NUMBER

THIS DRAWING IS A CONTROLLED DOCUMENT. DWN: C. VALENTIN, 16DEC2010  
 CHK: E. BRIANT, 16DEC2010  
 APP'D: E. BRIANT, 16DEC2010

**STE** TE Connectivity

NAME: Z-DOK+ HOST BRD CONNECTOR ASSEMBLY, 8-72 SIGNAL DIFF. PAIR, 2 UTILITY CONTACTS PER SIDE, 3.85mm TAILS

PRODUCT SPEC: 108-1985  
 APPLICATION SPEC: 114-13068

SIZE: A1 00779 C=6367680  
 WEIGHT: -  
 CUSTOMER DRAWING

SCALE: 4:1 SHEET 1 OF 1 REV C