



Chipsmall Limited consists of a professional team with an average of over 10 year of expertise in the distribution of electronic components. Based in Hongkong, we have already established firm and mutual-benefit business relationships with customers from,Europe,America and south Asia,supplying obsolete and hard-to-find components to meet their specific needs.

With the principle of “Quality Parts,Customers Priority,Honest Operation,and Considerate Service”,our business mainly focus on the distribution of electronic components. Line cards we deal with include Microchip,ALPS,ROHM,Xilinx,Pulse,ON,Everlight and Freescale. Main products comprise IC,Modules,Potentiometer,IC Socket,Relay,Connector.Our parts cover such applications as commercial,industrial, and automotives areas.

We are looking forward to setting up business relationship with you and hope to provide you with the best service and solution. Let us make a better world for our industry!



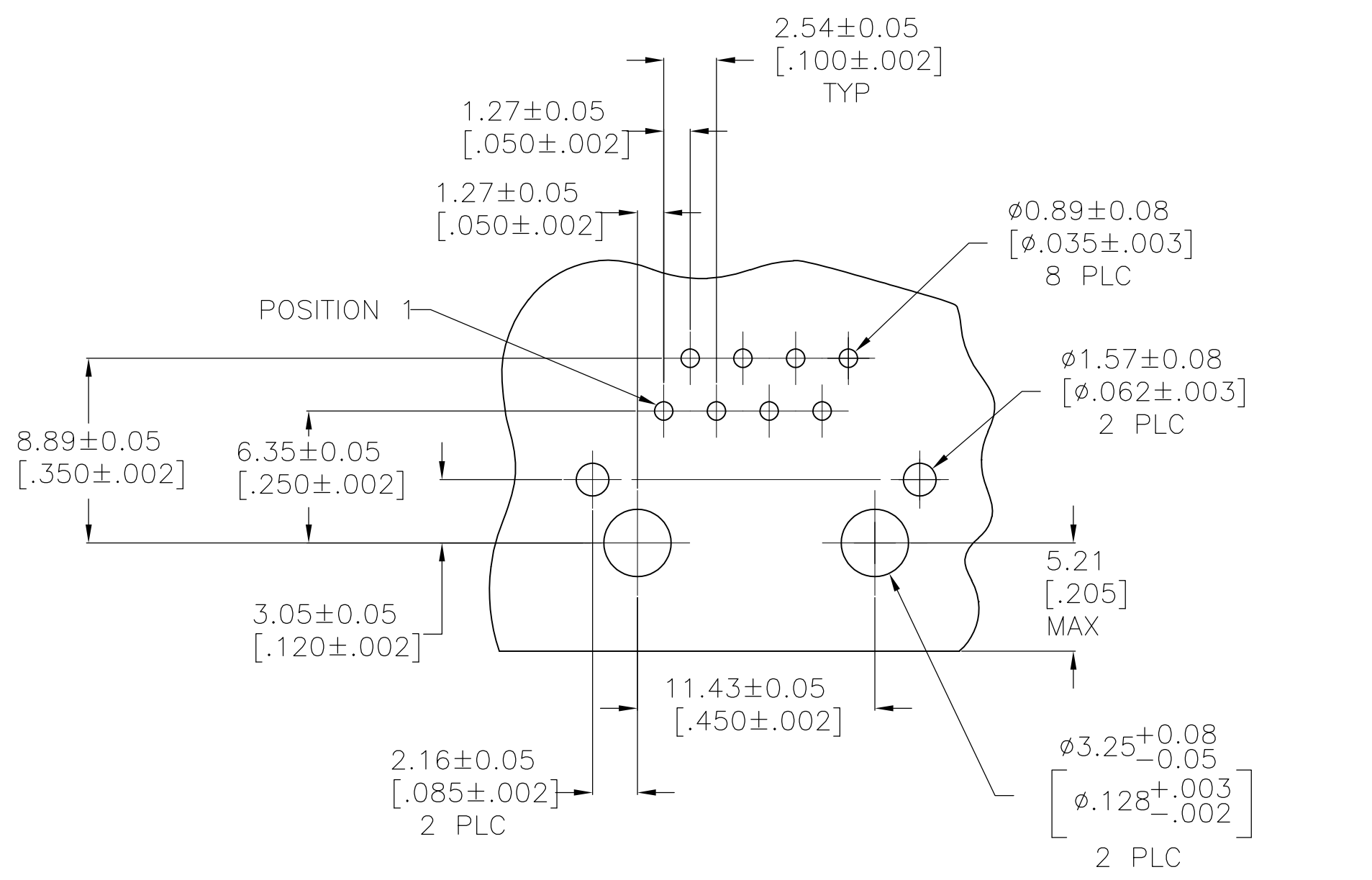
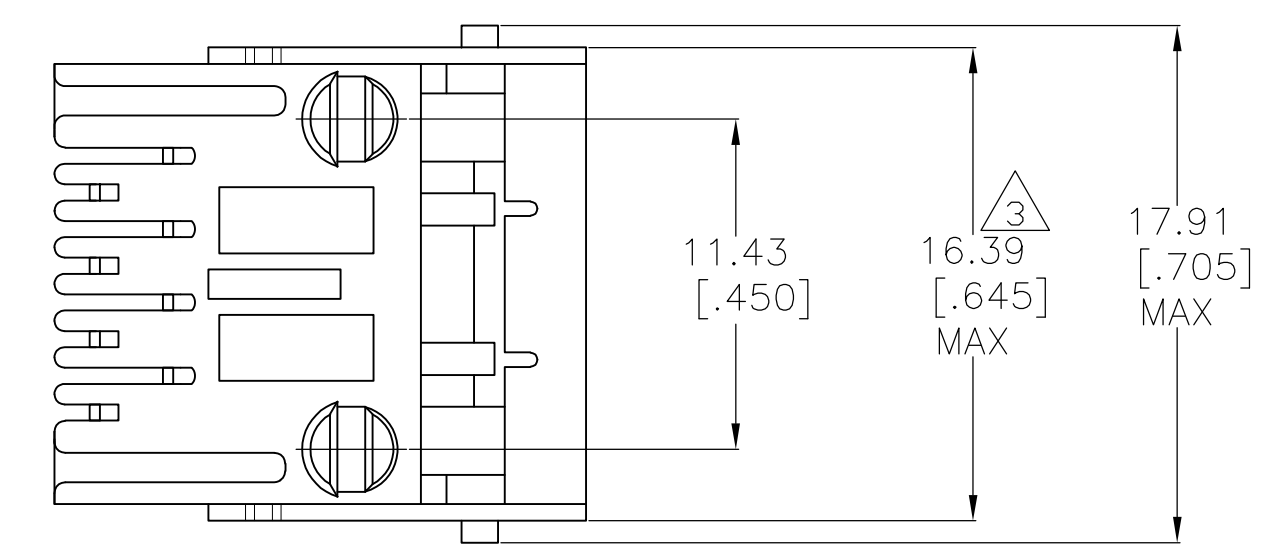
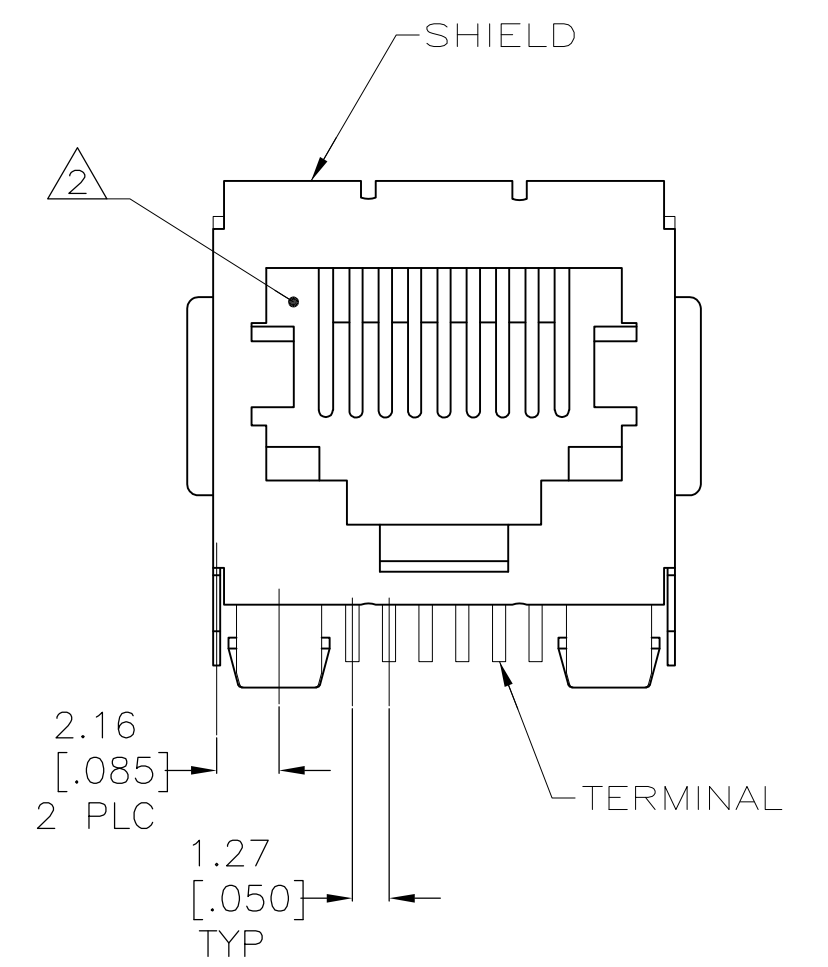
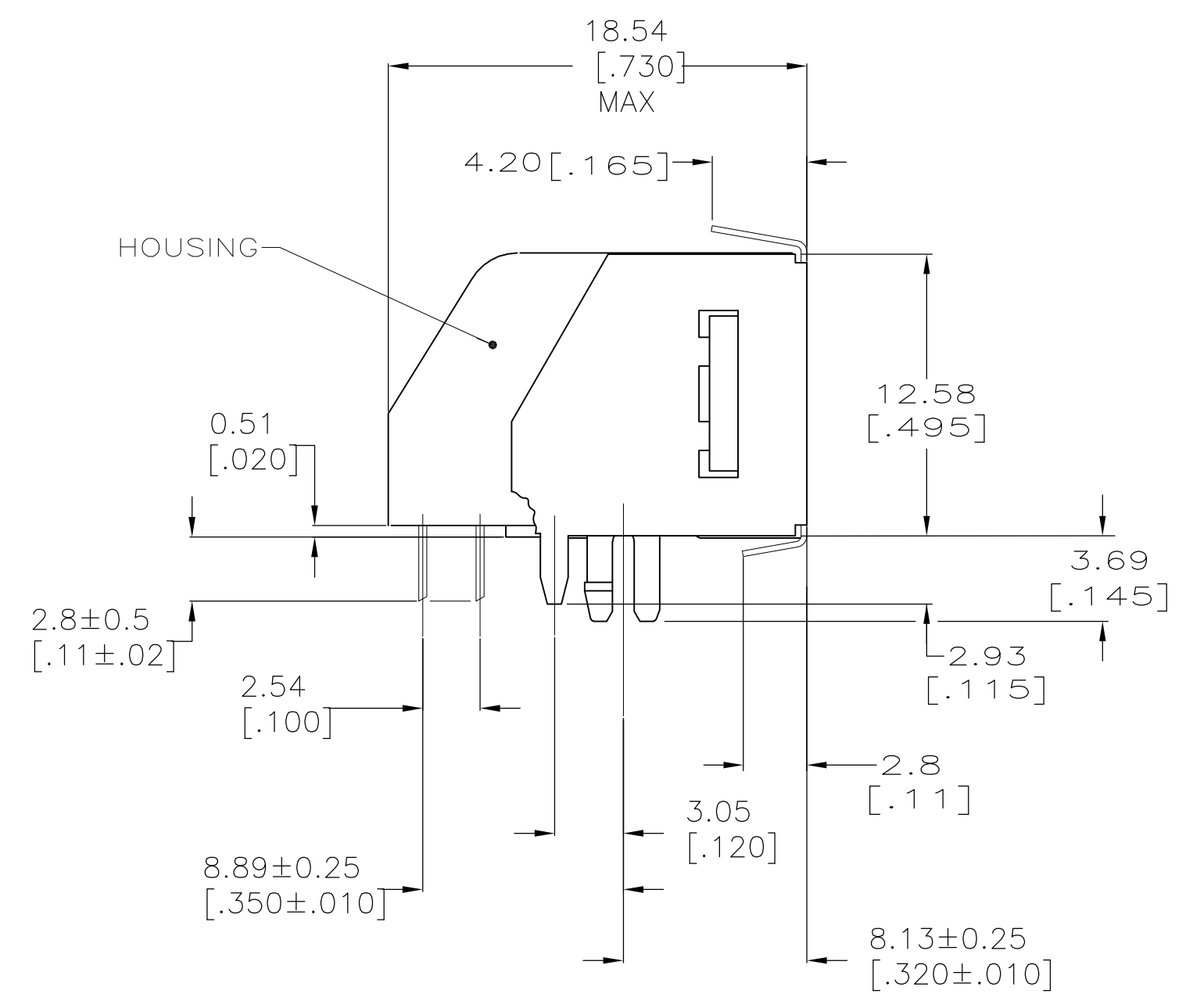
## Contact us

Tel: +86-755-8981 8866 Fax: +86-755-8427 6832

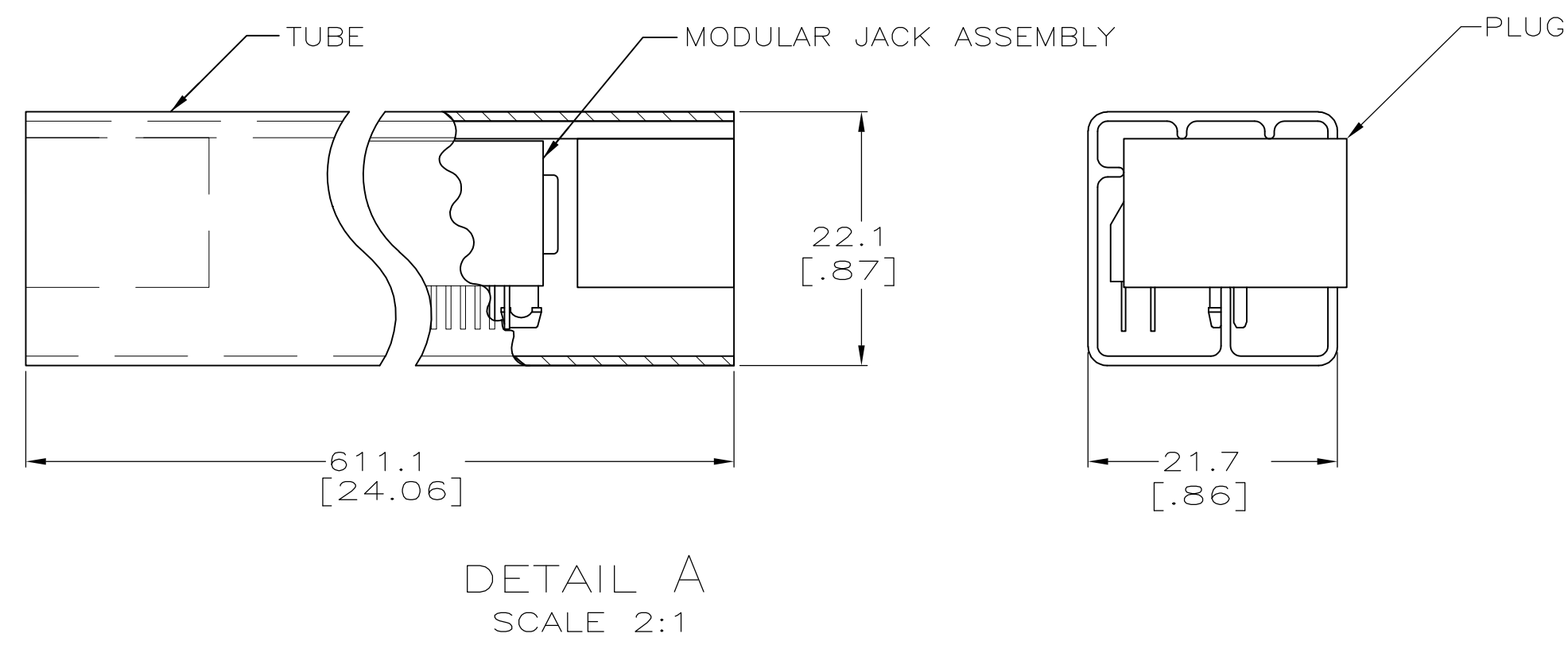
Email & Skype: info@chipsmall.com Web: www.chipsmall.com

Address: A1208, Overseas Decoration Building, #122 Zhenhua RD., Futian, Shenzhen, China





RECOMMENDED PRINTED CIRCUIT BOARD LAYOUT (COMPONENT SIDE)



- MATERIAL:  
HOUSING - HTN MOLDING COMPOUND, UL 94V-0, BLACK  
TERMINAL - 0.36[.014] THICK PHOS-BRONZE PLATED WITH 1.27µm[.000050] MINIMUM THICK HARD GOLD IN LOCALIZED GOLD PLATE AREA AND 3.81µm[.000150] MINIMUM THICK MATTE TIN IN SOLDER AREA OVER 1.27µm[.000050] THICK MINIMUM NICKEL UNDERPLATE.  
SHIELD - 0.25[.010] THICK COPPER ALLOY PLATED WITH 3.0µm[.000120] MINIMUM REFLOWED TIN
- CAVITY CONFORMS TO FCC RULES AND REGULATIONS PART 68, SUBPART F.
- DIMENSION MEASURED ALONG FRONT EDGE OF MATING FACE
- PACKAGED 31 ASSEMBLIES PER TUBE WITH BOTH ENDS PLUGGED (SEE DETAIL A)

6368018-1  
PART NUMBER

THIS DRAWING IS A CONTROLLED DOCUMENT.		DWN L. VARELA - DOCK5 15JUN2005	Tyco Electronics Corporation Harrisburg, PA 17105-3608	
DIMENSIONS: mm [INCHES]	TOLERANCES UNLESS OTHERWISE SPECIFIED:	CHK J. WESTMAN 15JUN2005	NAME S. FLICKINGER 15JUN2005	APVD
	0 PLC ± -	PRODUCT SPEC	MODULAR JACK ASSEMBLY, 8 POSITION, RIGHT ANGLE, LOW PROFILE, SHIELDED, PANEL GROUND, LOW INSERT FORCE (IR)	
	1 PLC ± -	108-1163		
	2 PLC ± 0.13[.005]	APPLICATION SPEC		
	3 PLC ± -	114-2048	SIZE	A1
	4 PLC ± -	WEIGHT	CAGE CODE	6368018
MATERIAL SEE NOTE 1	FINISH SEE NOTE 1	CUSTOMER DRAWING	SCALE	4:1
		SHEET		1 OF 1
		REV		B