



Chipsmall Limited consists of a professional team with an average of over 10 year of expertise in the distribution of electronic components. Based in Hongkong, we have already established firm and mutual-benefit business relationships with customers from,Europe,America and south Asia,supplying obsolete and hard-to-find components to meet their specific needs.

With the principle of "Quality Parts,Customers Priority,Honest Operation,and Considerate Service",our business mainly focus on the distribution of electronic components. Line cards we deal with include Microchip,ALPS,ROHM,Xilinx,Pulse,ON,Everlight and Freescale. Main products comprise IC,Modules,Potentiometer,IC Socket,Relay,Connector.Our parts cover such applications as commercial,industrial, and automotives areas.

We are looking forward to setting up business relationship with you and hope to provide you with the best service and solution. Let us make a better world for our industry!



Contact us

Tel: +86-755-8981 8866 Fax: +86-755-8427 6832

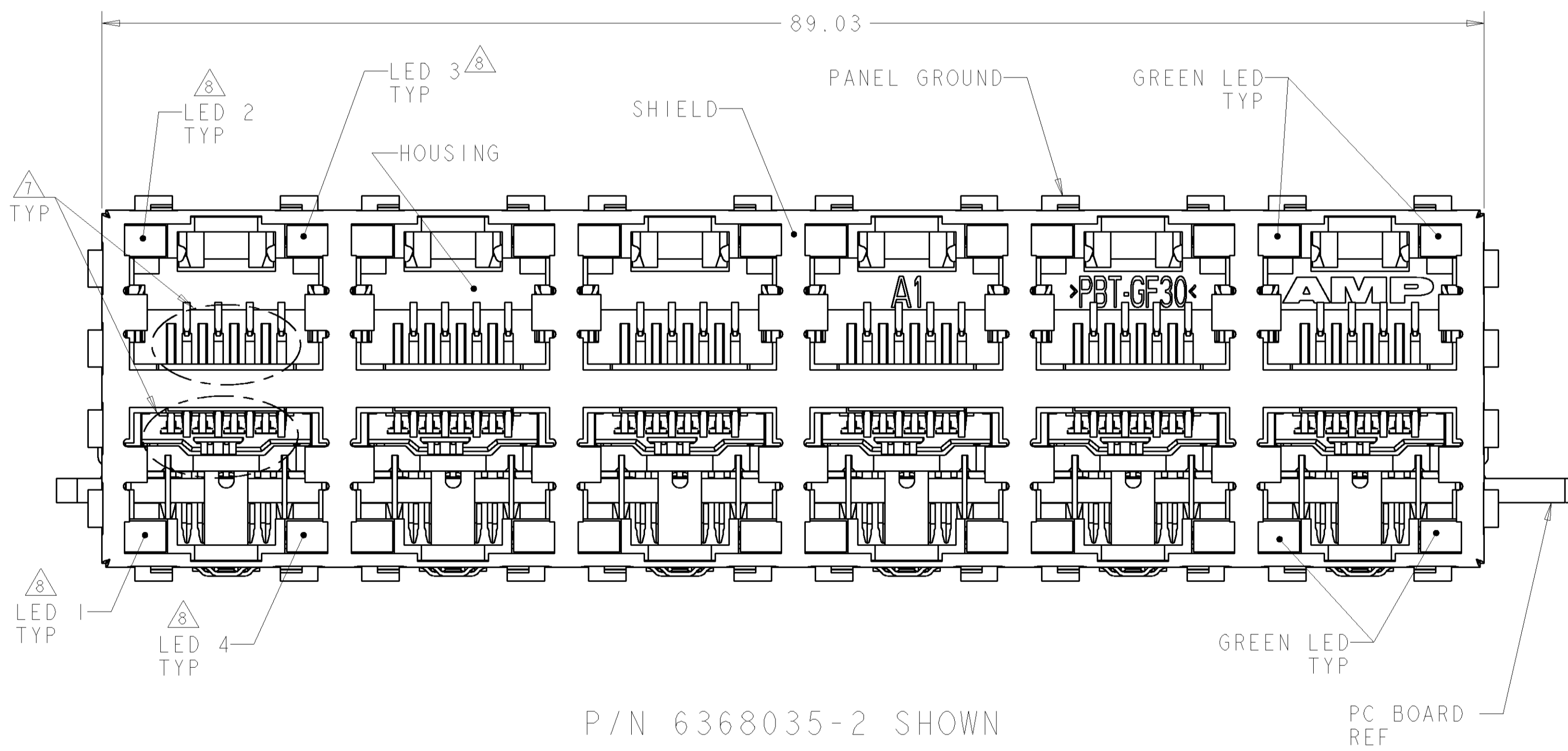
Email & Skype: info@chipsmall.com Web: www.chipsmall.com

Address: A1208, Overseas Decoration Building, #122 Zhenhua RD., Futian, Shenzhen, China

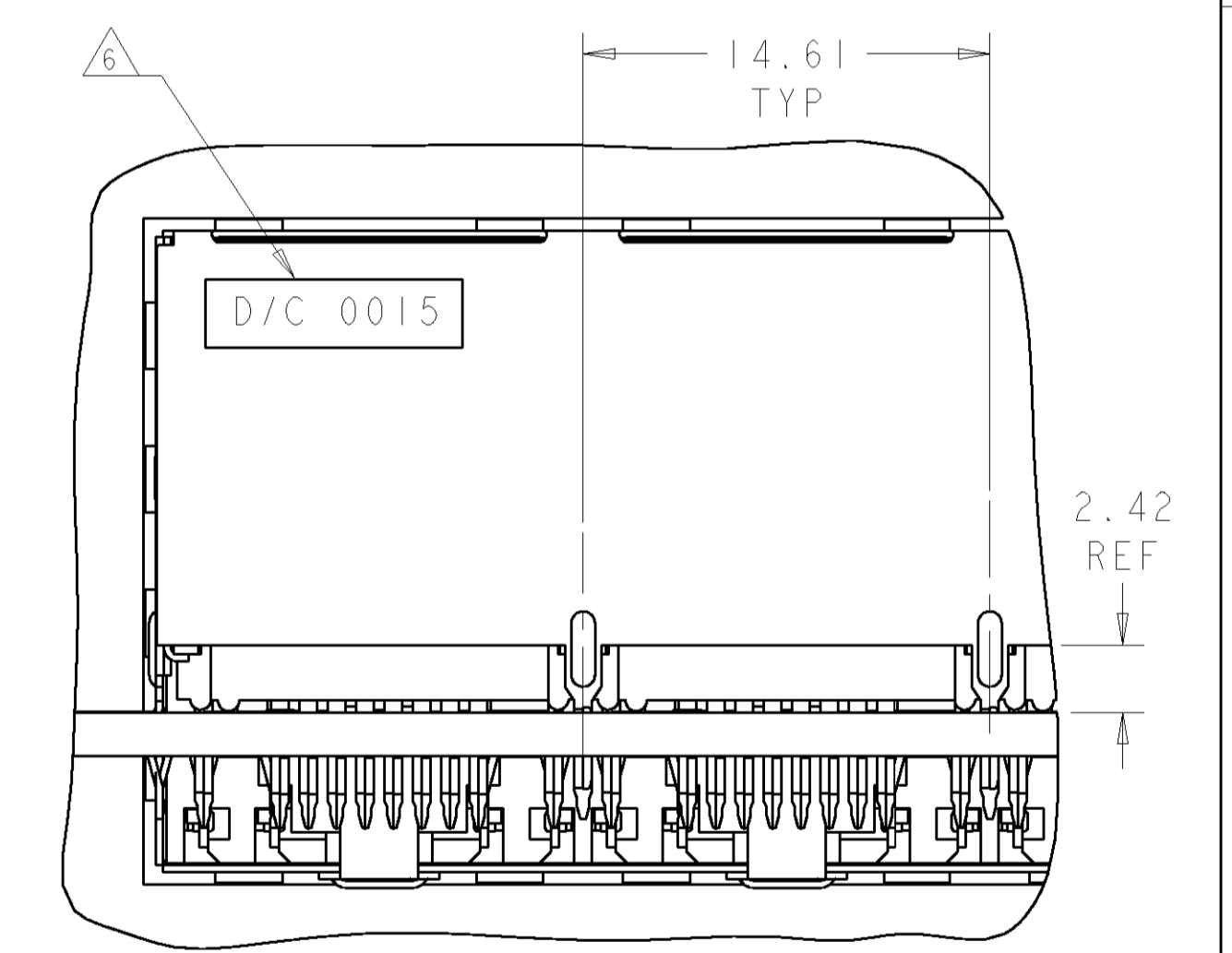
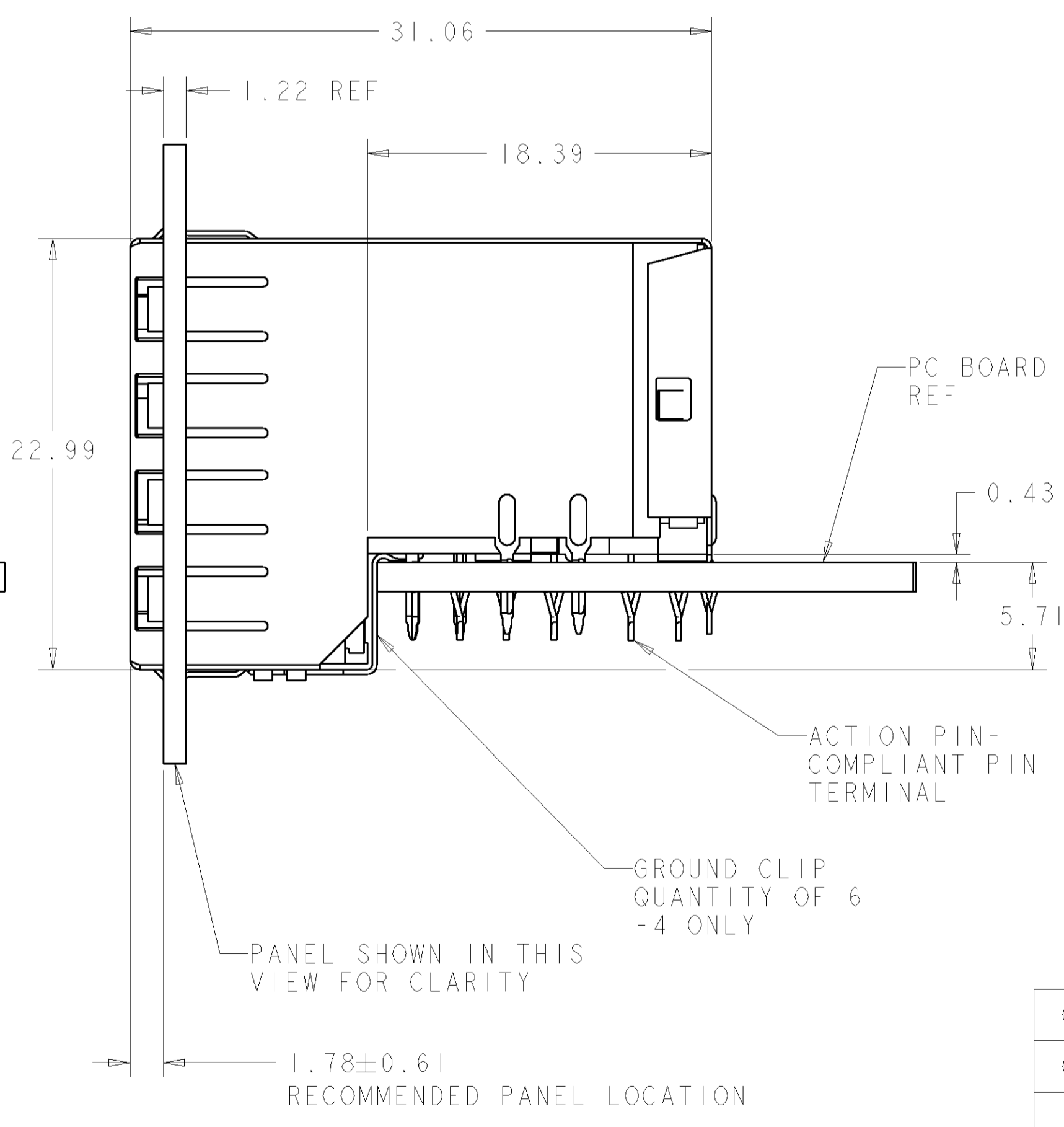


LOC		DIST		REVISIONS			
AA	22	P	LTR	DESCRIPTION	DATE	DNW	APVD
		A		REVISED PER EC 0511-0201-04	29JUL2005	LV	SF

- MATERIAL:
 - HOUSING: PBT POLYESTER, BLACK, UL 94V-0.
 - TERMINALS: 0.33 THICK PHOSPHOR BRONZE PLATED WITH 1.27µm MINIMUM THICK HARD GOLD IN LOCALIZED AREA AND 2µm MINIMUM THICK MATTE TIN IN ACTION PIN COMPLIANT PIN TERMINAL AREA OVER 1.27µm MINIMUM THICK NICKEL UNDERPLATE.
 - SHIELD: 0.25 THICK COPPER ALLOY PLATED WITH 2.03µm MINIMUM BRIGHT TIN OVER 1.27µm MINIMUM NICKEL.
 - LIGHT EMITTING DIODE (LED): DIFFUSED EPOXY LENS, 12.95 CARBON STL WIREFRAME LEADS PREPLATED WITH 2.29µm SILVER OVER 1.02µm NICKEL UNDERPLATE OVER 2.03µm COPPER UNDERPLATE.
 - LED ACTION PIN - COMPLIANT PIN CONTACTS 0.3 THICK BRASS PLATED WITH 2-4µm BRIGHT TIN.
- JACK CAVITY CONFORMS TO FCC RULES AND REGULATIONS, PART 68 SUBPART F.
- ALL DIMENSIONS ARE NOMINAL UNLESS OTHERWISE SPECIFIED.
 - △4 DRILLED HOLE DIA = 1.02±.025.
COPPER THICKNESS = 0.025-0.075.
TIN-LEAD THICKNESS = 0.008 MIN.
 - △5 DATUMS AND BASIC DIMENSIONS ESTABLISHED BY CUSTOMER.
 - △6 DATE CODE LOCATED ON REAR OF PART APPROXIMATELY AS SHOWN.
 - △7 CONTACTS ARE NOT INTENDED TO BE ALIGNED WITH EACH OTHER.
 - △8 SUGGESTED OPERATING CURRENT FOR LEDS IS 20 mA.



P/N 6368035-2 SHOWN

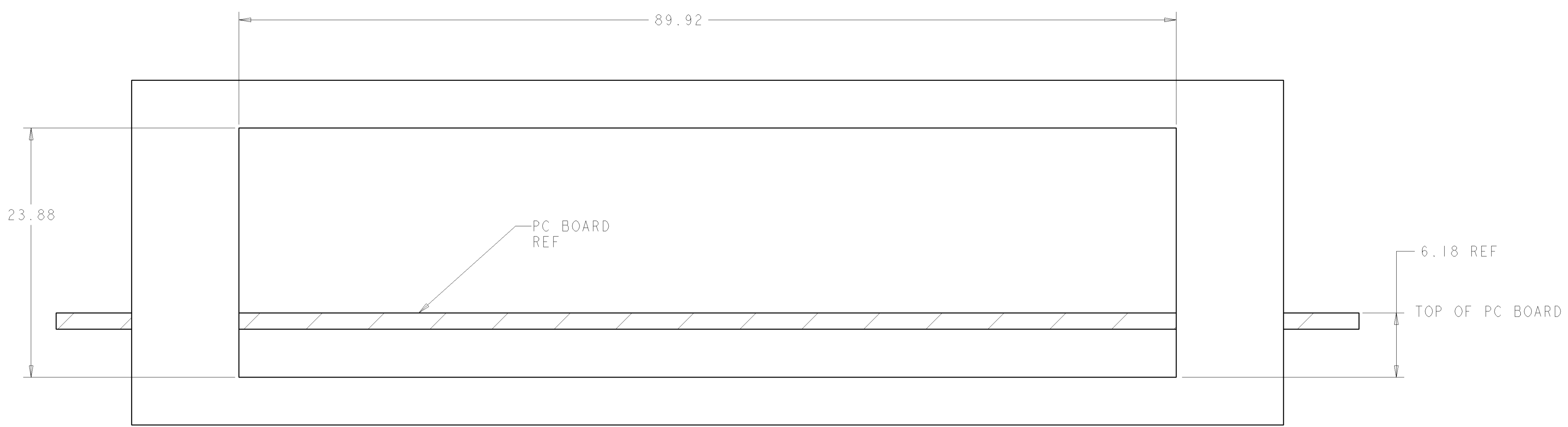


PARTIAL BACK VIEW

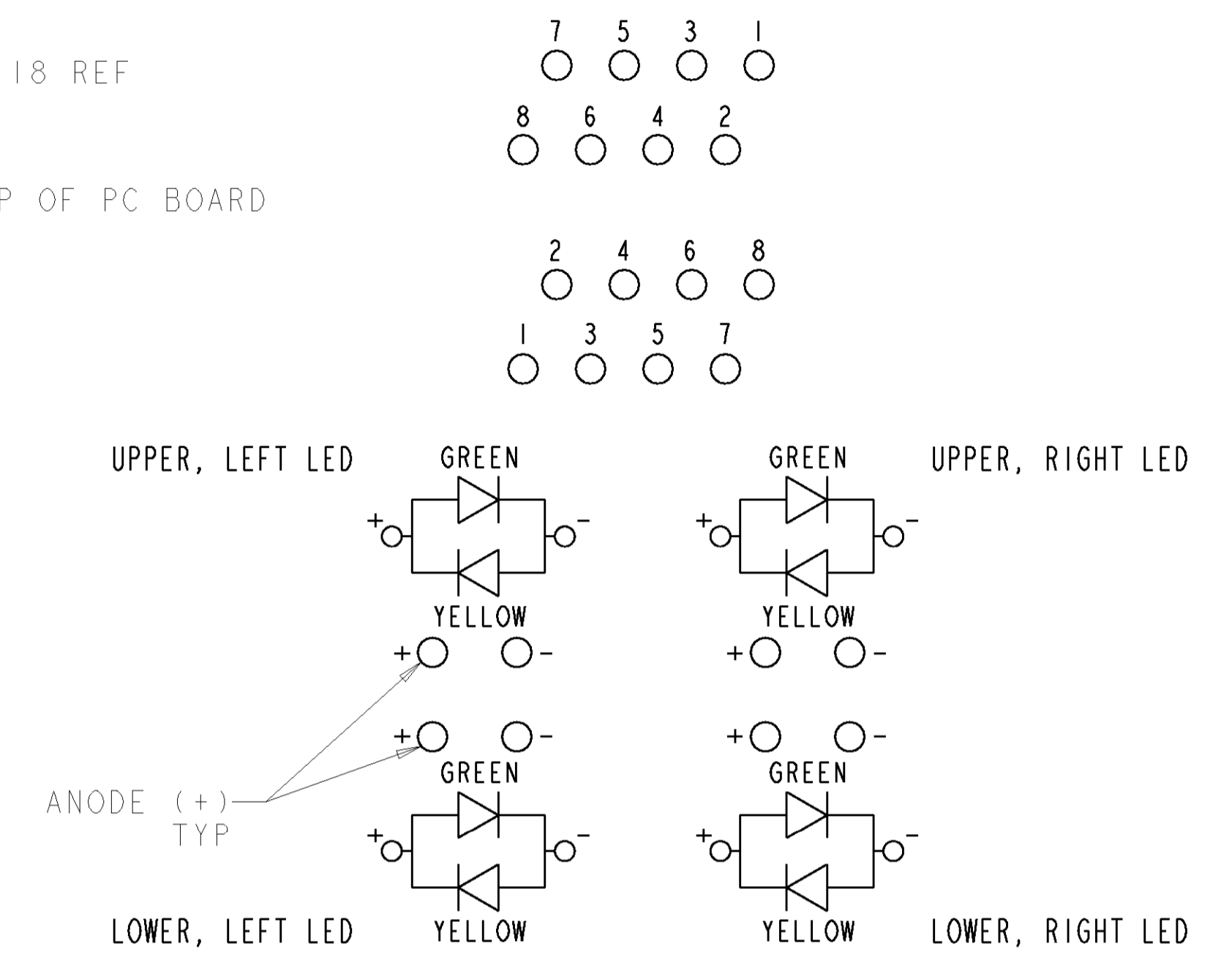
LED COLOR	DESCRIPTION	PART NUMBER
GREEN/YELLOW	WITH GROUND CLIP	6368035-4
GREEN/YELLOW	WITHOUT GROUND CLIP	6368035-3
GREEN	WITHOUT GROUND CLIP	6368035-1

DIMENSIONS: mm: 0 PLC ±, 1 PLC ±0.13, 2 PLC ±0.13, 3 PLC ±, 4 PLC ±, ANGLES ±1		TOLERANCES UNLESS OTHERWISE SPECIFIED: FINISH: -		DIM: 29 JUL 2005 DWN: J. VARELA - DOCKS CHK: J. WESTMAN APVD: S. FLICKINGER PRODUCT SPEC: 108-1854 APPLICATION SPEC: 114-2160 WEIGHT: - CUSTOMER DRAWING		NAME: STACKED MODULAR JACK ASSEMBLY 2 X 6 OFFSET, W/LEDS, 8 POSN, RJ45 SHIELDED PANEL GROUND, CAT 5 SIZE: 114-2160 CAGE CODE: A100779 DRAWING NO: C-6368035 SCALE: 4:1 SHEET: 1 OF 2 REV: A	
---	--	---	--	---	--	---	--

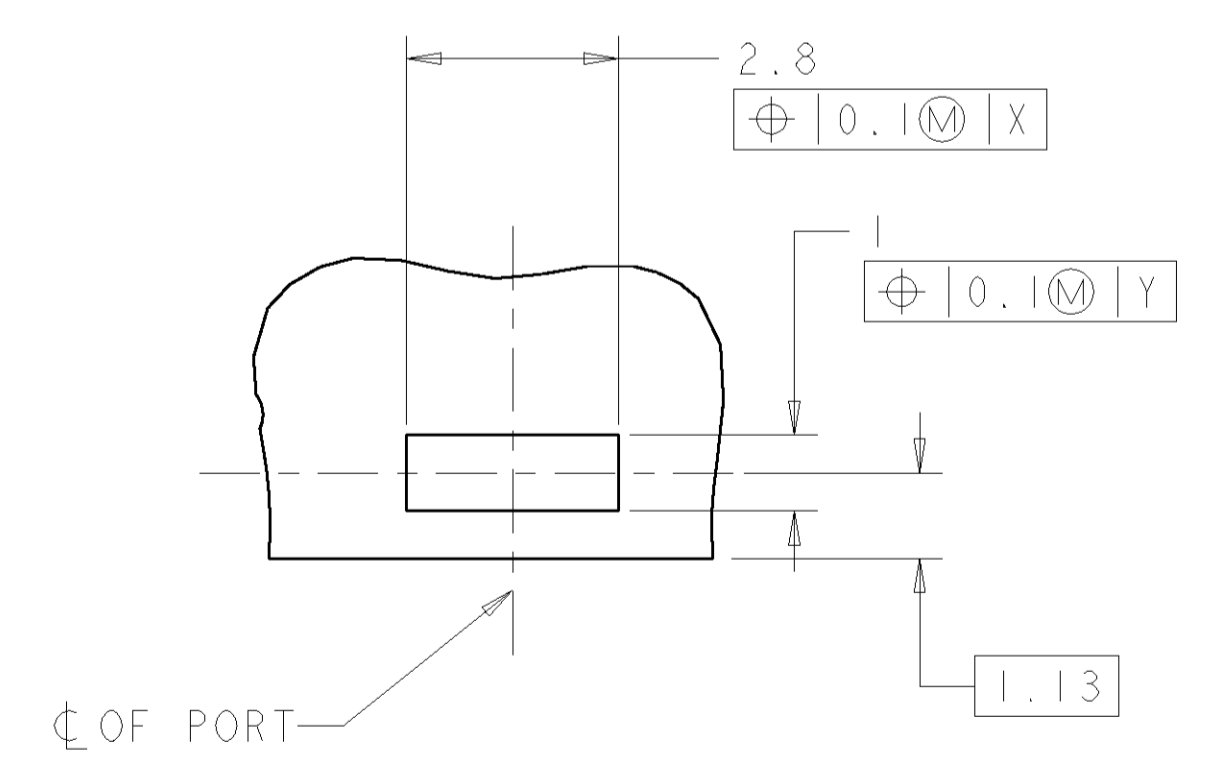
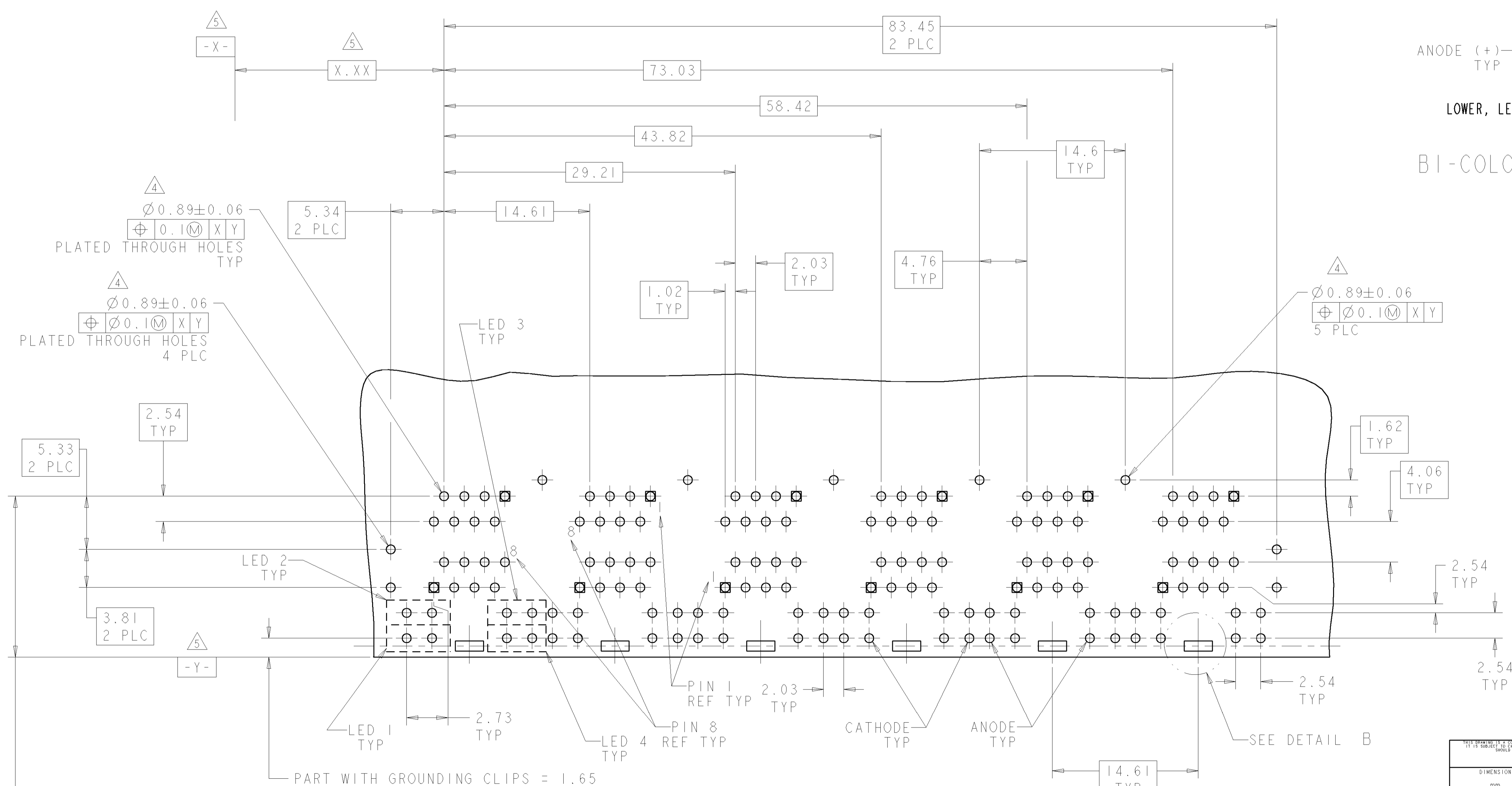
LOC	DIST	P	LTR	REVISIONS	DATE	DWN	APVD
AA	22	-	-	SEE SHEET 1	-	-	-



RECOMMENDED PANEL CUT-OUT



BI-COLOR LED SCHEMATIC FOR 6368035-3 & -4



15.88 WITH GROUNDING CLIPS
 16.13 WITHOUT GROUNDING CLIPS

PC BOARD LAYOUT (COMPONENT SIDE)

DIMENSIONS:		TOLERANCES UNLESS OTHERWISE SPECIFIED:		DWN		Tyco Electronics	
mm	0 PLC ±	1 PLC ±0.13	2 PLC ±0.13	EL VARELA	29 JUL 2005	TYCO	Tyco Electronics
	3 PLC ±	4 PLC ±	5 PLC ±	J. WESTMAN	29 JUL 2005	Electronics	Harrisburg, PA 17105-3608
MATERIAL	FINISH	WEIGHT	CUSTOMER DRAWING	APVD	S. FLICKINGER	NAME	STACKED MODULAR JACK ASSEMBLY
						PRODUCT SPEC	2 X 6 OFFSET, W/LEDS, 8 POSN, RJ45
						APPLICATION SPEC	SHIELDED PANEL GROUND, CAT 5
						SIZE	114-2160
						SCALE	4:1
						RESTRICTED TO	REV A