



Chipsmall Limited consists of a professional team with an average of over 10 year of expertise in the distribution of electronic components. Based in Hongkong, we have already established firm and mutual-benefit business relationships with customers from,Europe,America and south Asia,supplying obsolete and hard-to-find components to meet their specific needs.

With the principle of "Quality Parts,Customers Priority,Honest Operation,and Considerate Service",our business mainly focus on the distribution of electronic components. Line cards we deal with include Microchip,ALPS,ROHM,Xilinx,Pulse,ON,Everlight and Freescale. Main products comprise IC,Modules,Potentiometer,IC Socket,Relay,Connector.Our parts cover such applications as commercial,industrial, and automotives areas.

We are looking forward to setting up business relationship with you and hope to provide you with the best service and solution. Let us make a better world for our industry!



Contact us

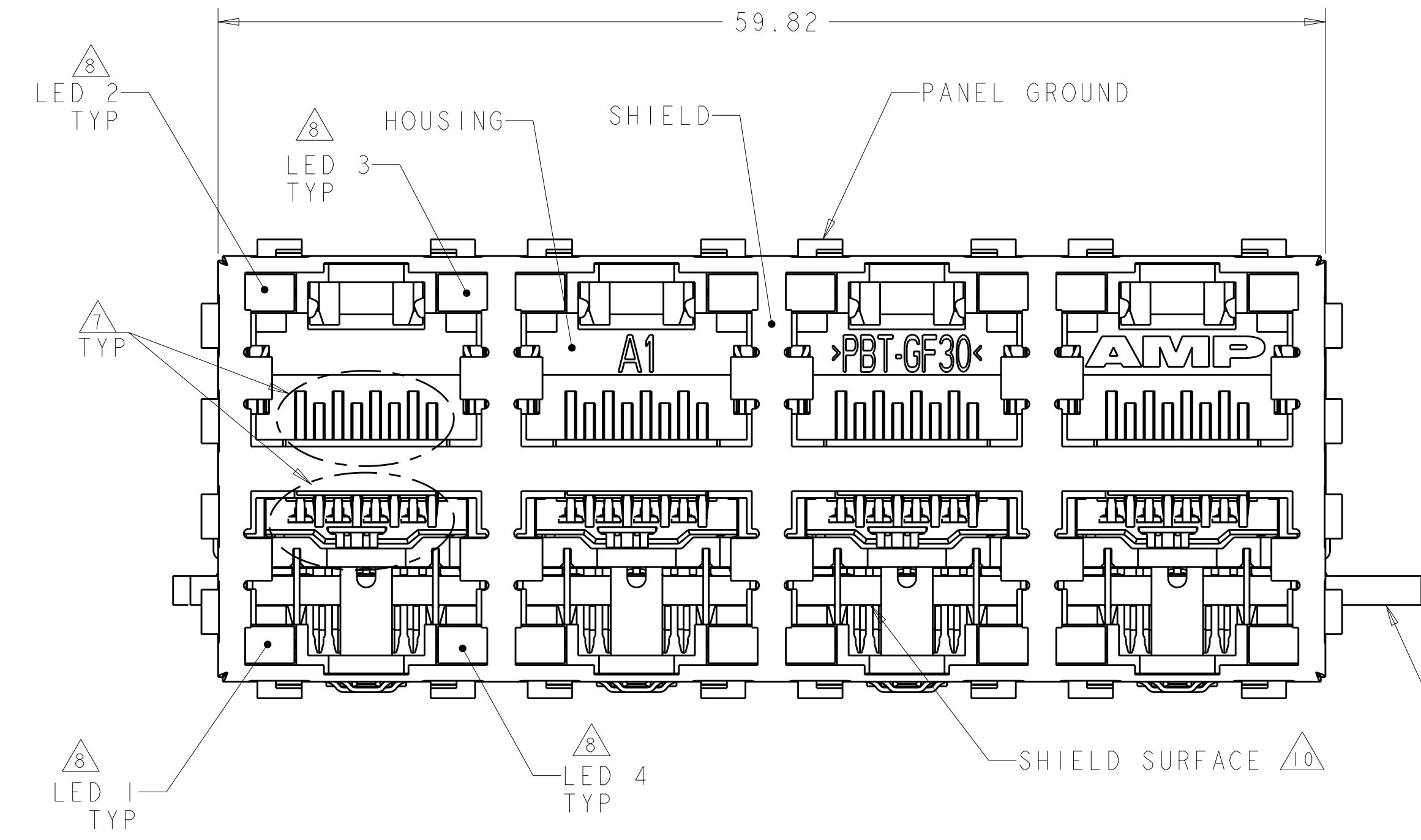
Tel: +86-755-8981 8866 Fax: +86-755-8427 6832

Email & Skype: info@chipsmall.com Web: www.chipsmall.com

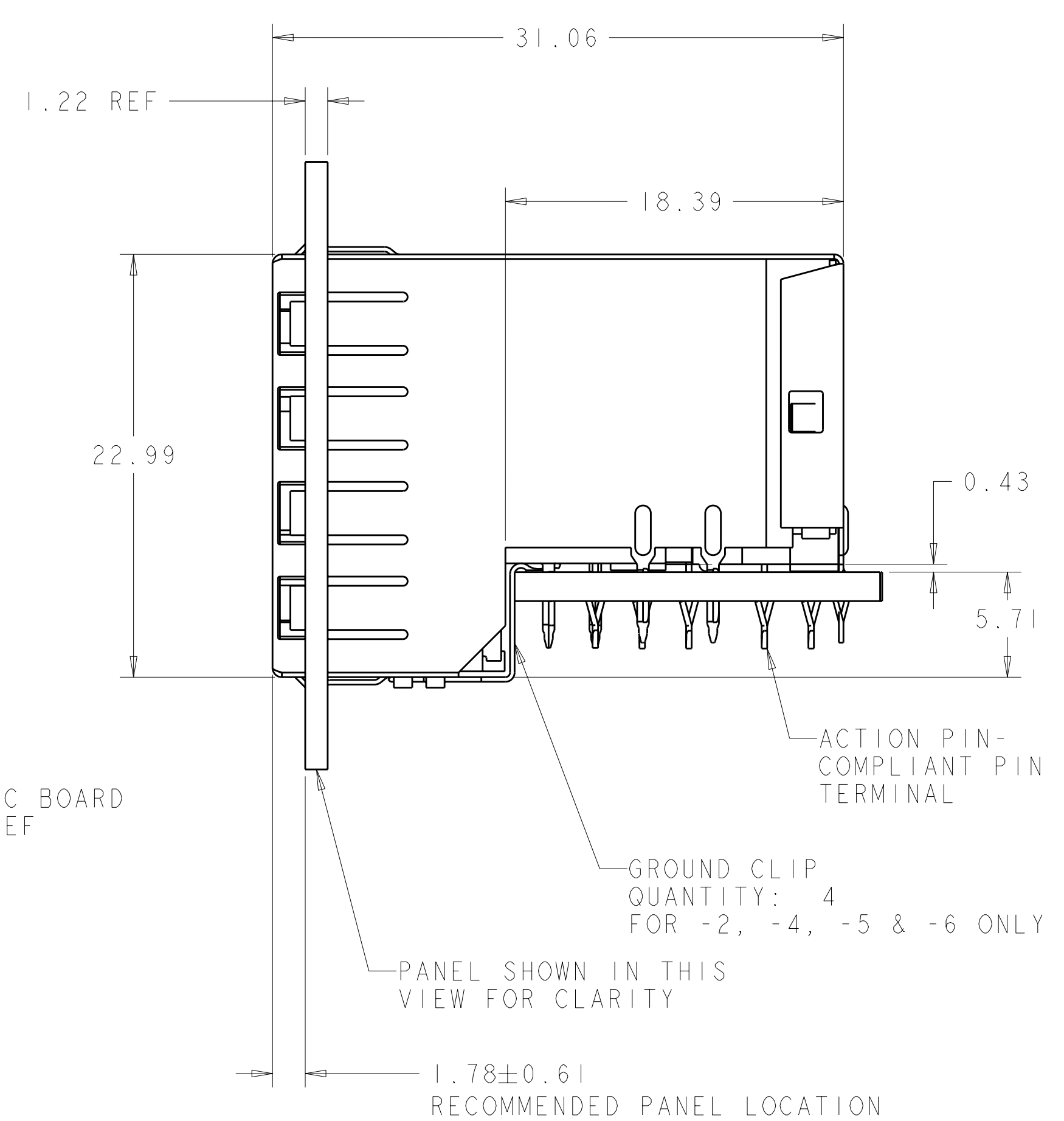
Address: A1208, Overseas Decoration Building, #122 Zhenhua RD., Futian, Shenzhen, China



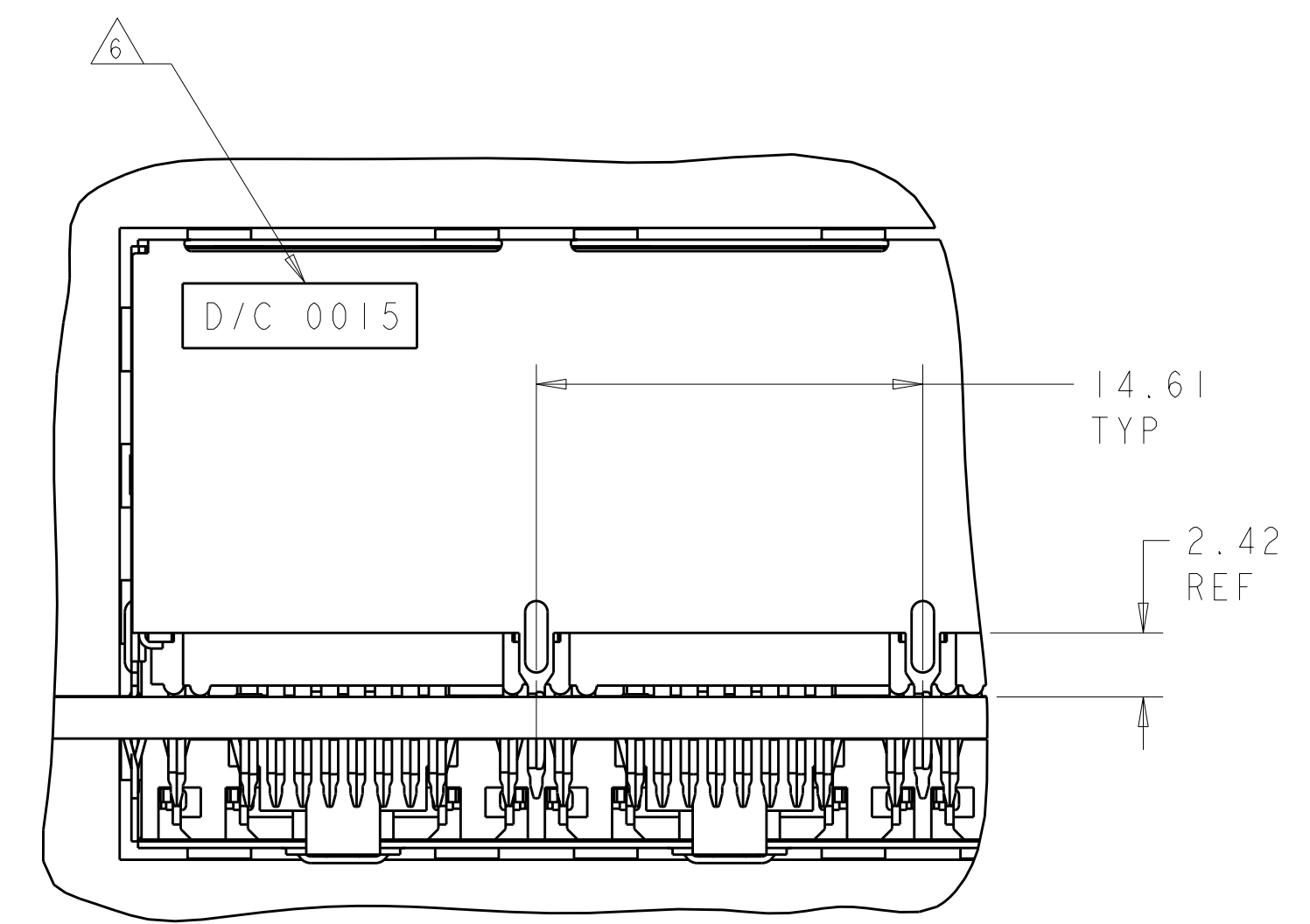
LOC	DIST	REV	DATE	BY	APPD
AA	22				
C4		ECR-12-003298	13FEB2012	JJ	AC



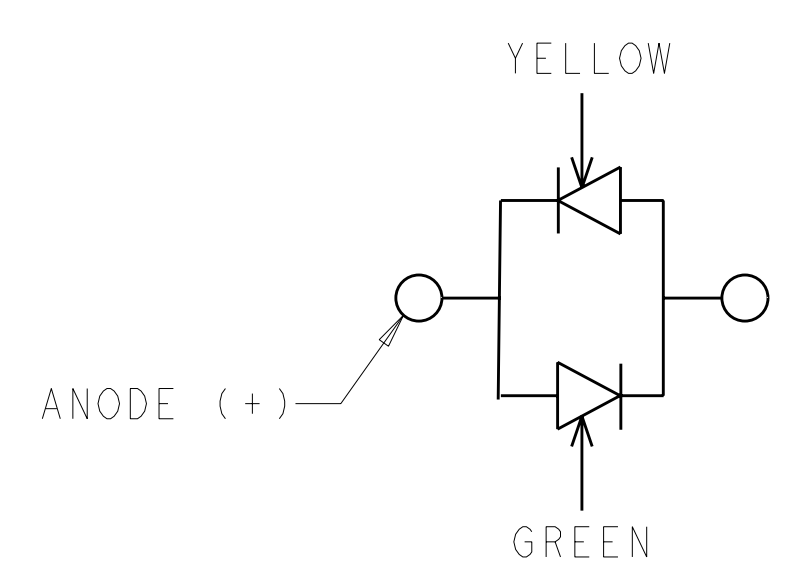
P/N 6368062-2 SHOWN



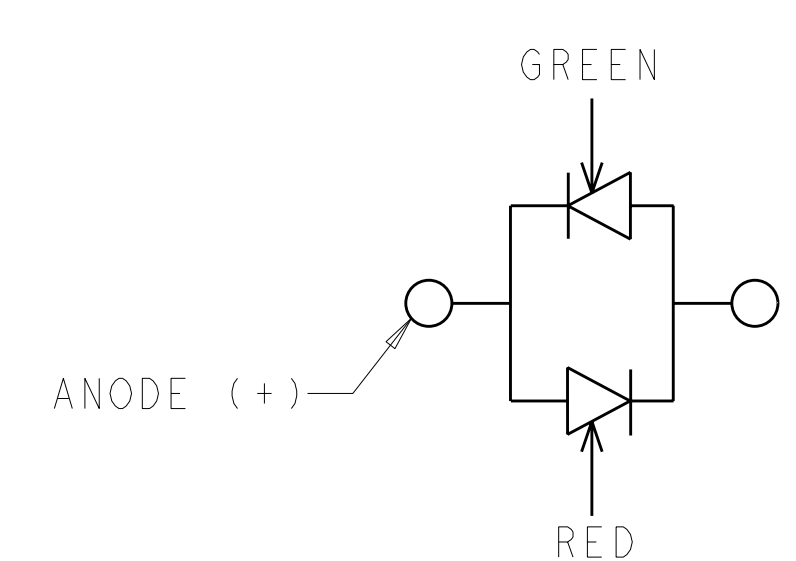
- MATERIAL:**
HOUSING
 PBT POLYESTER, BLACK, UL 94V-0.
TERMINALS
 0.33 THICK PHOSPHOR BRONZE PLATED WITH 1.27µm MINIMUM THICK HARD GOLD IN LOCALIZED AREA AND 3.81µm MINIMUM THICK MATTE TIN IN ACTION PIN COMPLIANT PIN TERMINAL AREA OVER 1.27µm MINIMUM THICK NICKEL UNDERPLATE.
SHIELD
 0.25 THICK COPPER ALLOY PLATED WITH 2.03µm MINIMUM BRIGHT TIN OVER 1.27 µm MINIMUM NICKEL
LIGHT EMITTING DIODE (LED)
 DIFFUSED EPOXY LENS, 12.95 CARBON STEEL WIREFRAME LEADS PREPLATED WITH 8.89 µm THICK Sn/Cu OVER 2.03 µm THICK Ag OVER 1.02 µm THICK Cu OVER 3.56 µm THICK Ni OVER 1.02 µm THICK Cu UNDERPLATE
LED ACTION PIN - COMPLIANT PIN CONTACTS
 0.3 THICK BRASS PLATED WITH 2-4µm BRIGHT TIN.
- JACK CAVITY CONFORMS TO FCC RULES AND REGULATIONS, PART 68 SUBPART F.
- ALL DIMENSIONS ARE NOMINAL UNLESS OTHERWISE SPECIFIED.
- DRILLED HOLE DIA = 1.02±.025.
 COPPER THICKNESS = 0.025-0.075.
 TIN LEAD THICKNESS = 0.008 MIN.
- DATUMS AND BASIC DIMENSIONS ESTABLISHED BY CUSTOMER.
- DATE CODE LOCATED ON REAR OF PART APPROXIMATELY AS SHOWN.
- CONTACTS ARE NOT INTENDED TO BE ALIGNED WITH EACH OTHER.
- SUGGESTED OPERATING CURRENT FOR LEDS IS 20 mA.
- TWO LEDS PER PORT, SIZE .079 X .118, SEE TABLE FOR COLOR
- CLEAR 0.038 MIN THICK SURFACE PROTECTION TAPE APPLIED TO SHIELD SURFACE. FILM DOES NOT HAVE CUTOUTS IN EACH PORT. REMOVE TAPE PRIOR TO MATING A MODULAR PLUG TO THE JACK
- MATERIAL:**
SHIELD
 0.25 THICK COPPER ALLOY PLATED WITH 1.27 µm MINIMUM SATIN NICKEL.
- THE PART NUMBER 6368062-7 IS PRELIMINARY.
- ONLY FOR 6368062-8
 CONTACT AREA LUBRICATED WITH BELLCORE APPROVED LUBRICANT TECHNICAL REFERENCE GR-1217-CORE ISSUE 1, NOVEMBER 1995.



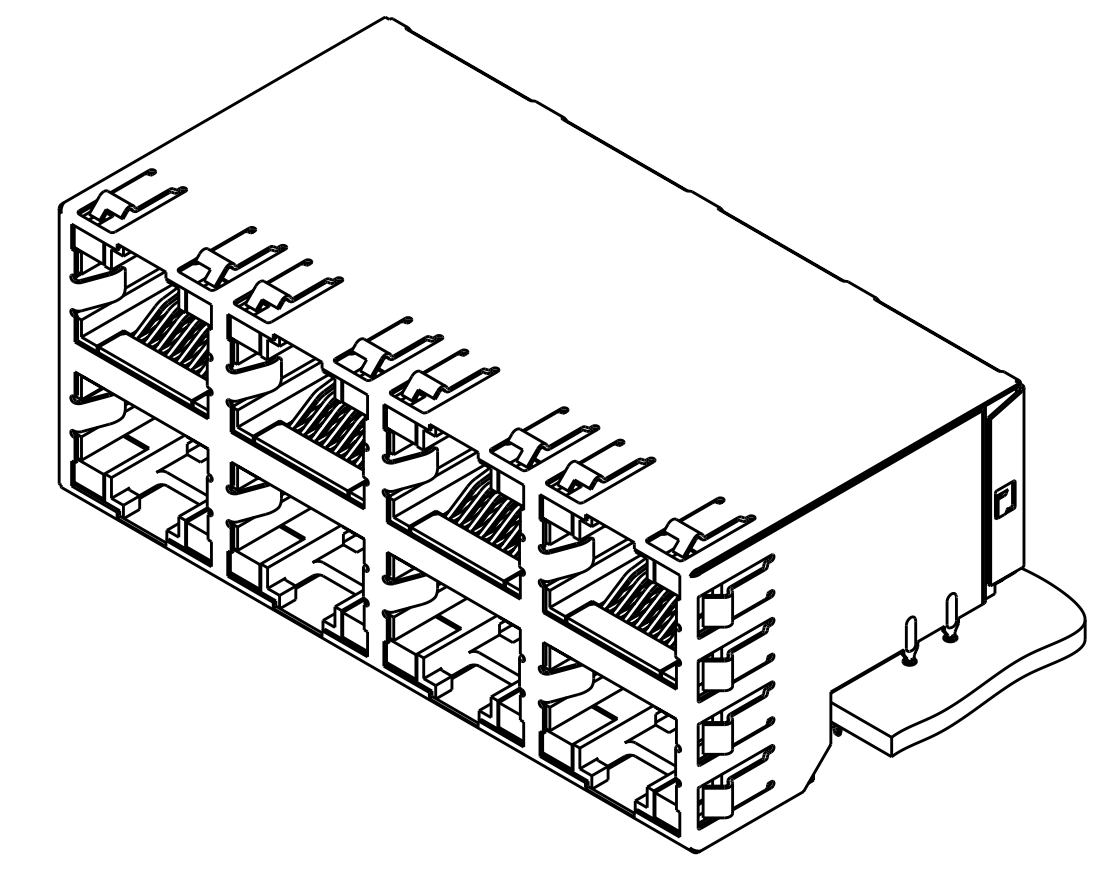
PARTIAL BACK VIEW



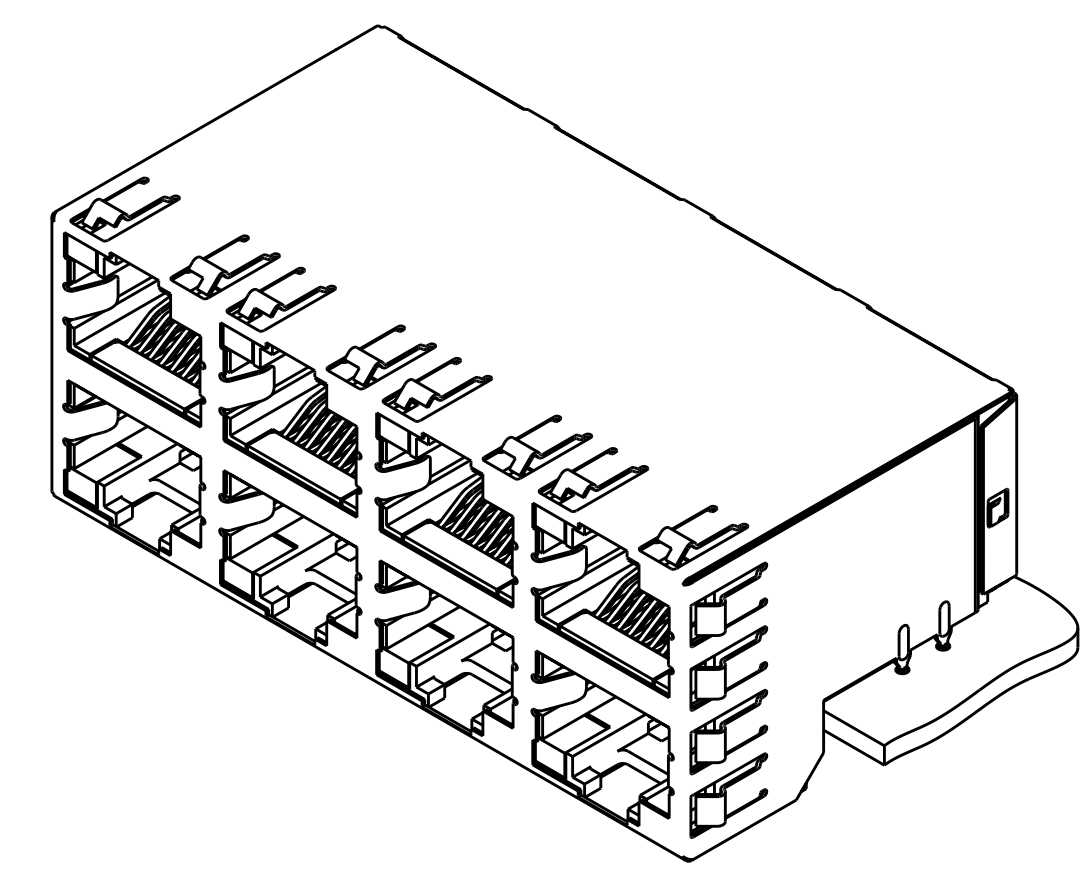
LED CURRENT DIAGRAM
6368062-4, -7



LED CIRCUIT DIAGRAM
6368062-6



P/N 6368062-1, -2, -3, -4, -5, -6, -8
AND 1-6368062-6
SCALE 2:1



P/N 6368062-7
SCALE 2:1

REMARKS	LED #4 (LOWER-RIGHT)	LED #3 (UPPER-RIGHT)	LED #2 (UPPER-LEFT)	LED #1 (LOWER-LEFT)	DESCRIPTION	PART NUMBER
△3	GREEN	GREEN	GREEN	GREEN	WITHOUT GROUND CLIP	6368062-8
△1	YELLOW	YELLOW	GREEN	GREEN	WITHOUT GROUND CLIP	1-6368062-6
-	N/A	N/A	GREEN/YELLOW	GREEN/YELLOW	WITHOUT GROUND CLIP	6368062-7 △1
-	RED/GREEN	RED/GREEN	RED/GREEN	RED/GREEN	WITH GROUND CLIP	6368062-6
△10	GREEN	GREEN	GREEN	GREEN	WITH GROUND CLIP	6368062-5
-	GREEN/YELLOW	GREEN/YELLOW	GREEN/YELLOW	GREEN/YELLOW	WITH GROUND CLIP	6368062-4
-	YELLOW	YELLOW	GREEN	GREEN	WITHOUT GROUND CLIP	6368062-3
-	GREEN	GREEN	GREEN	GREEN	WITH GROUND CLIP	6368062-2
-	GREEN	GREEN	GREEN	GREEN	WITHOUT GROUND CLIP	6368062-1

THIS DRAWING IS A CONTROLLED DOCUMENT.

DIMENSIONS:	TOLERANCES UNLESS OTHERWISE SPECIFIED:	DWN L.A.MAYER 15APR2005	CHK J.WESTMAN 15APR2005	APVD S.FLICKINGER 15APR2005
mm	0 PLC ±.13 1 PLC ±0.13 3 PLC ±.13 4 PLC ±.13 ANGLES ±°	PRODUCT SPEC 108-1854	APPLICATION SPEC 114-2160	WEIGHT
MATERIAL	FINISH	CUSTOMER DRAWING		

NAME: STACKED MODULAR JACK ASSEMBLY, 2x4 OFFSET, WITH LEDS, 8 POSN, RJ45 SHIELDED, PANEL GROUNDS, CAT 5

SCALE: 4:1 SHEET 1 OF 2 REV: C4

