



Chipsmall Limited consists of a professional team with an average of over 10 year of expertise in the distribution of electronic components. Based in Hongkong, we have already established firm and mutual-benefit business relationships with customers from,Europe,America and south Asia,supplying obsolete and hard-to-find components to meet their specific needs.

With the principle of "Quality Parts,Customers Priority,Honest Operation,and Considerate Service",our business mainly focus on the distribution of electronic components. Line cards we deal with include Microchip,ALPS,ROHM,Xilinx,Pulse,ON,Everlight and Freescale. Main products comprise IC,Modules,Potentiometer,IC Socket,Relay,Connector.Our parts cover such applications as commercial,industrial, and automotives areas.

We are looking forward to setting up business relationship with you and hope to provide you with the best service and solution. Let us make a better world for our industry!



## Contact us

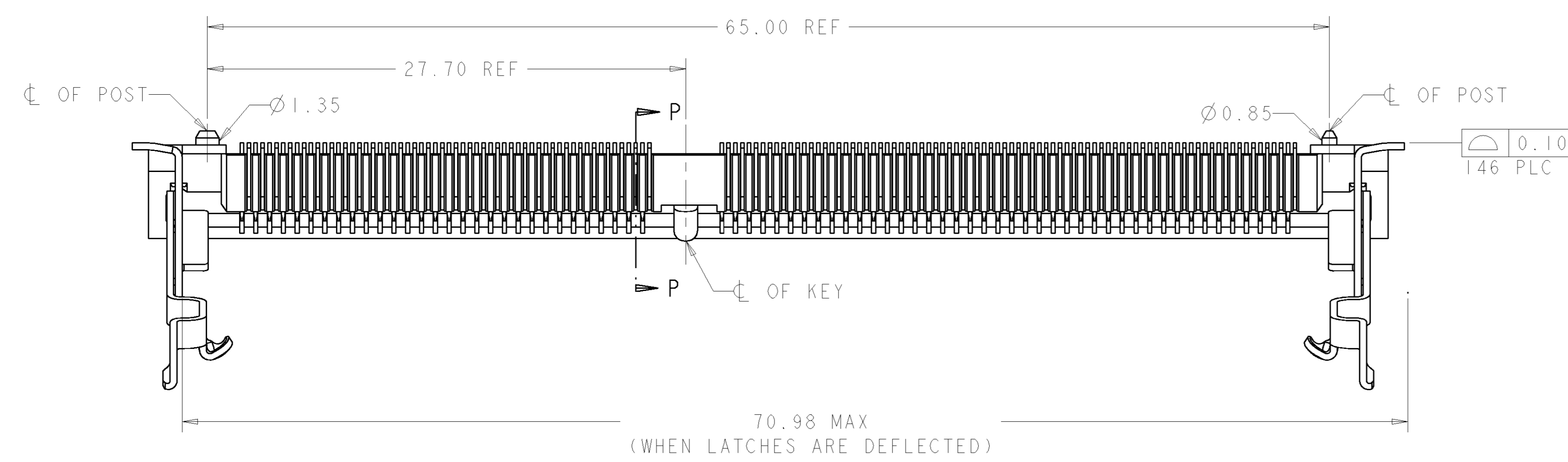
Tel: +86-755-8981 8866 Fax: +86-755-8427 6832

Email & Skype: info@chipsmall.com Web: www.chipsmall.com

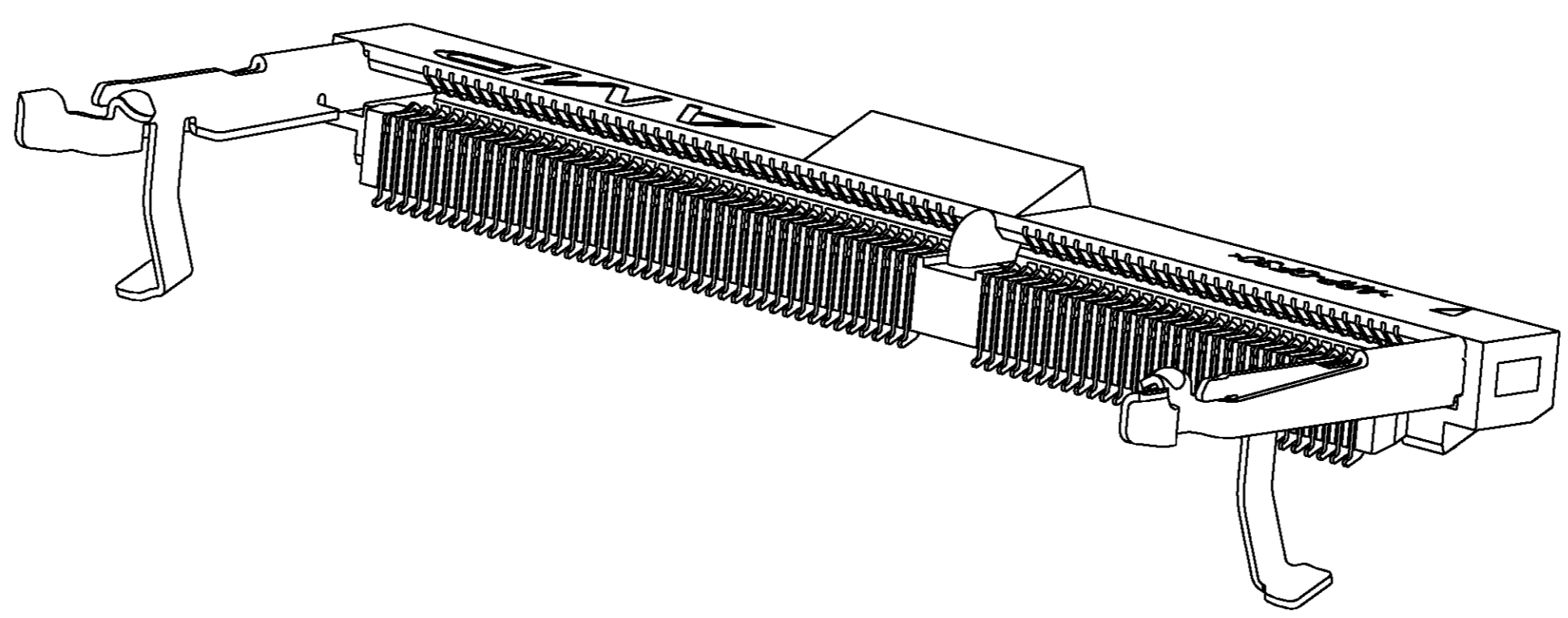
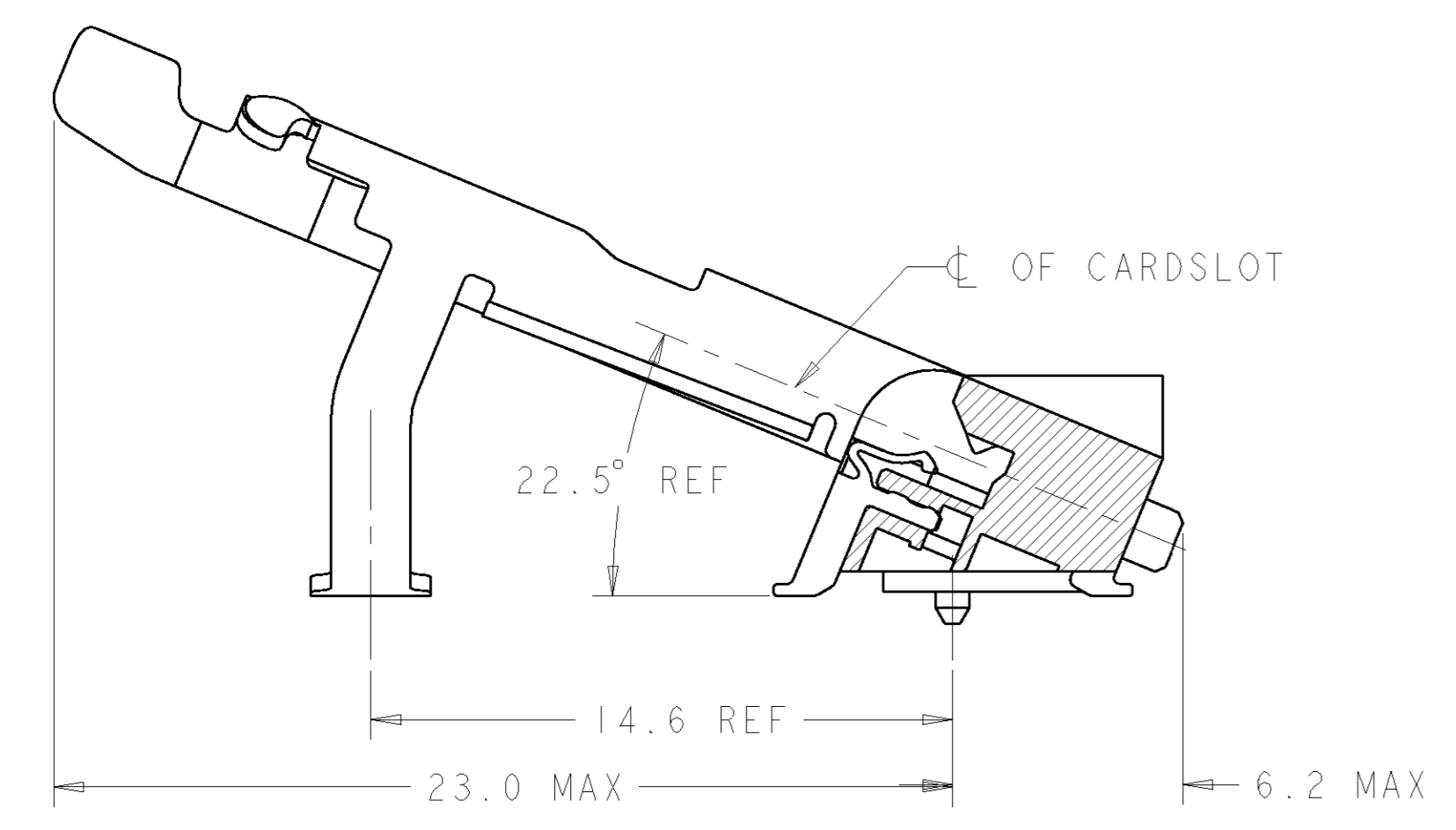
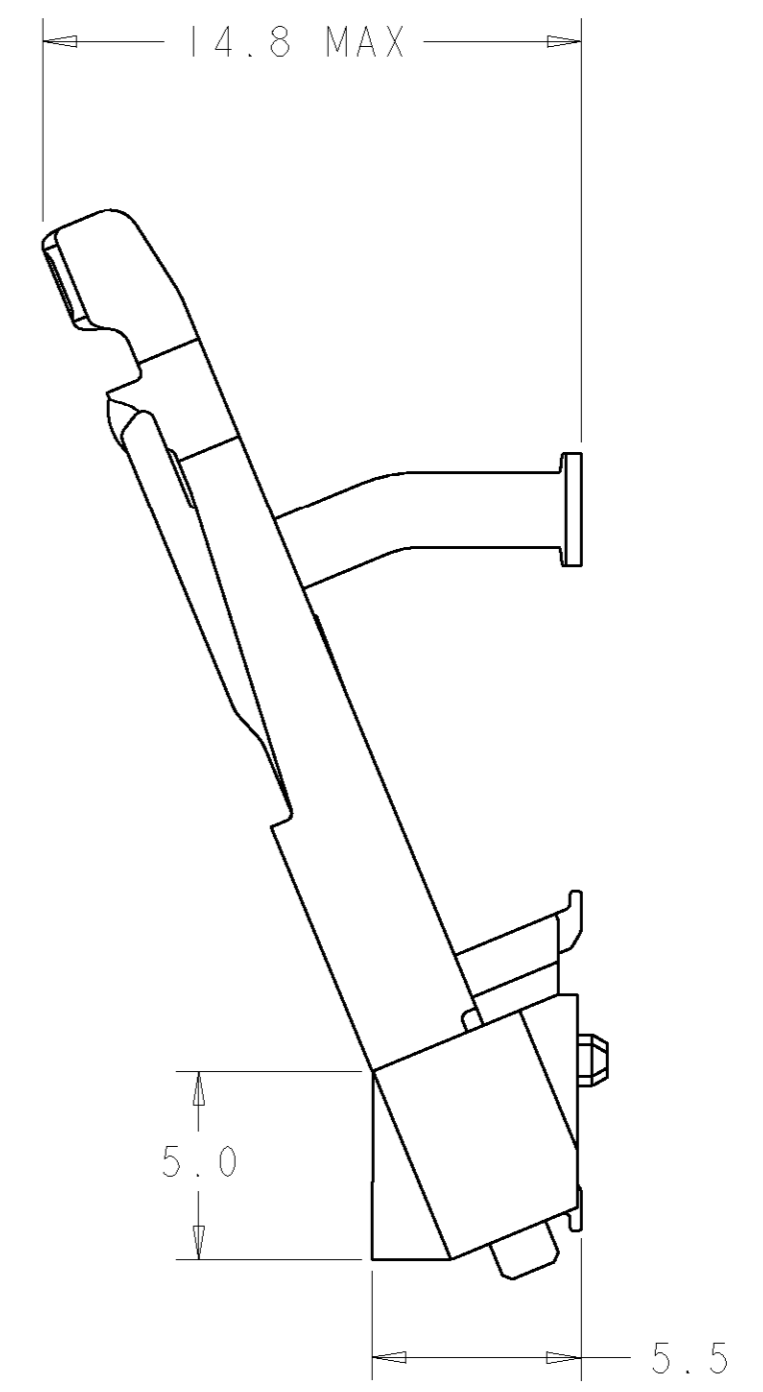
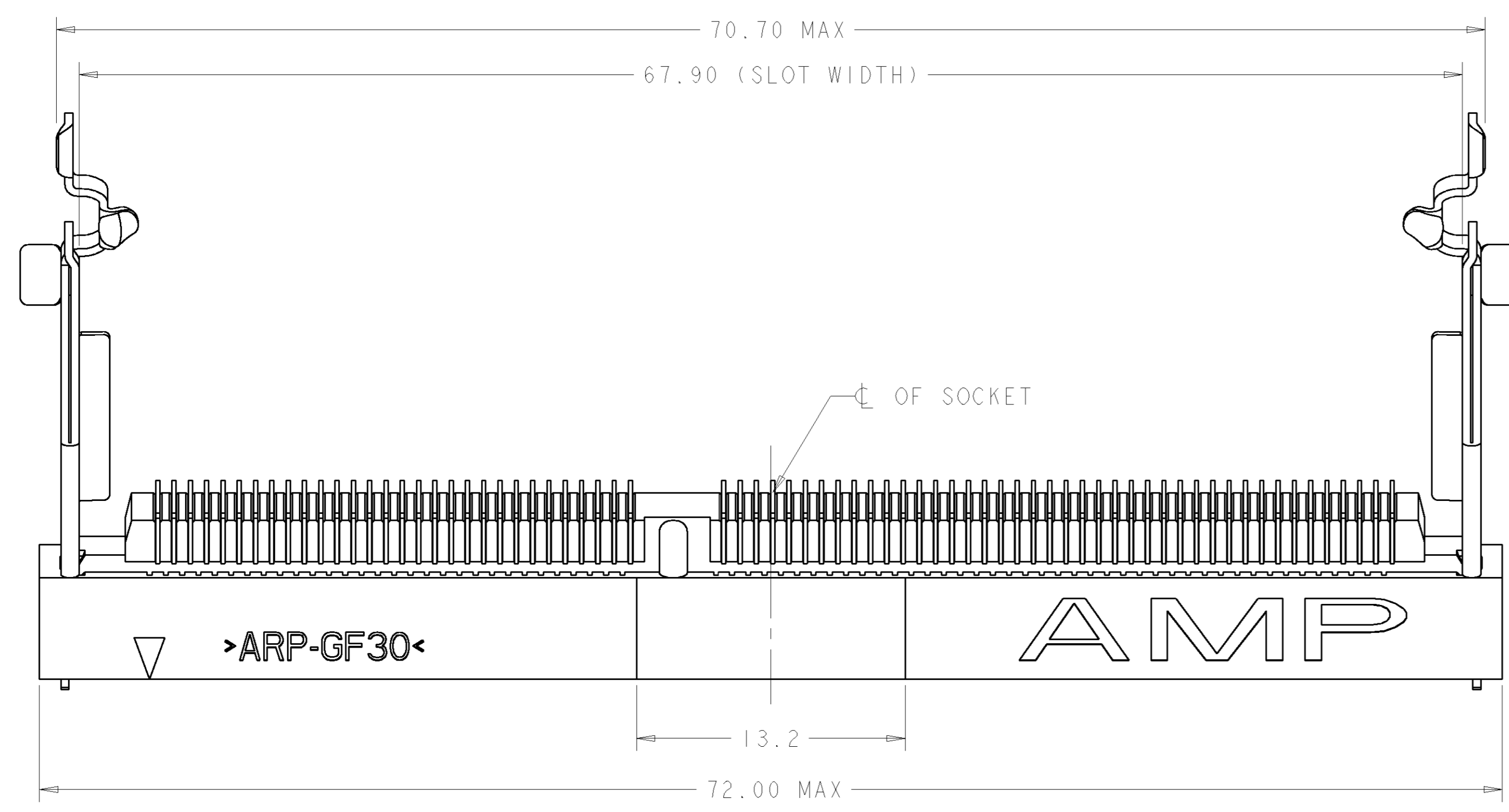
Address: A1208, Overseas Decoration Building, #122 Zhenhua RD., Futian, Shenzhen, China



LOC		DIST		REVISIONS			
GP	0	P	LTR	DESCRIPTION	DATE	DWN	APVD
		A		RELEASED PER 0512-0632-04	21FEB05	MY	SB



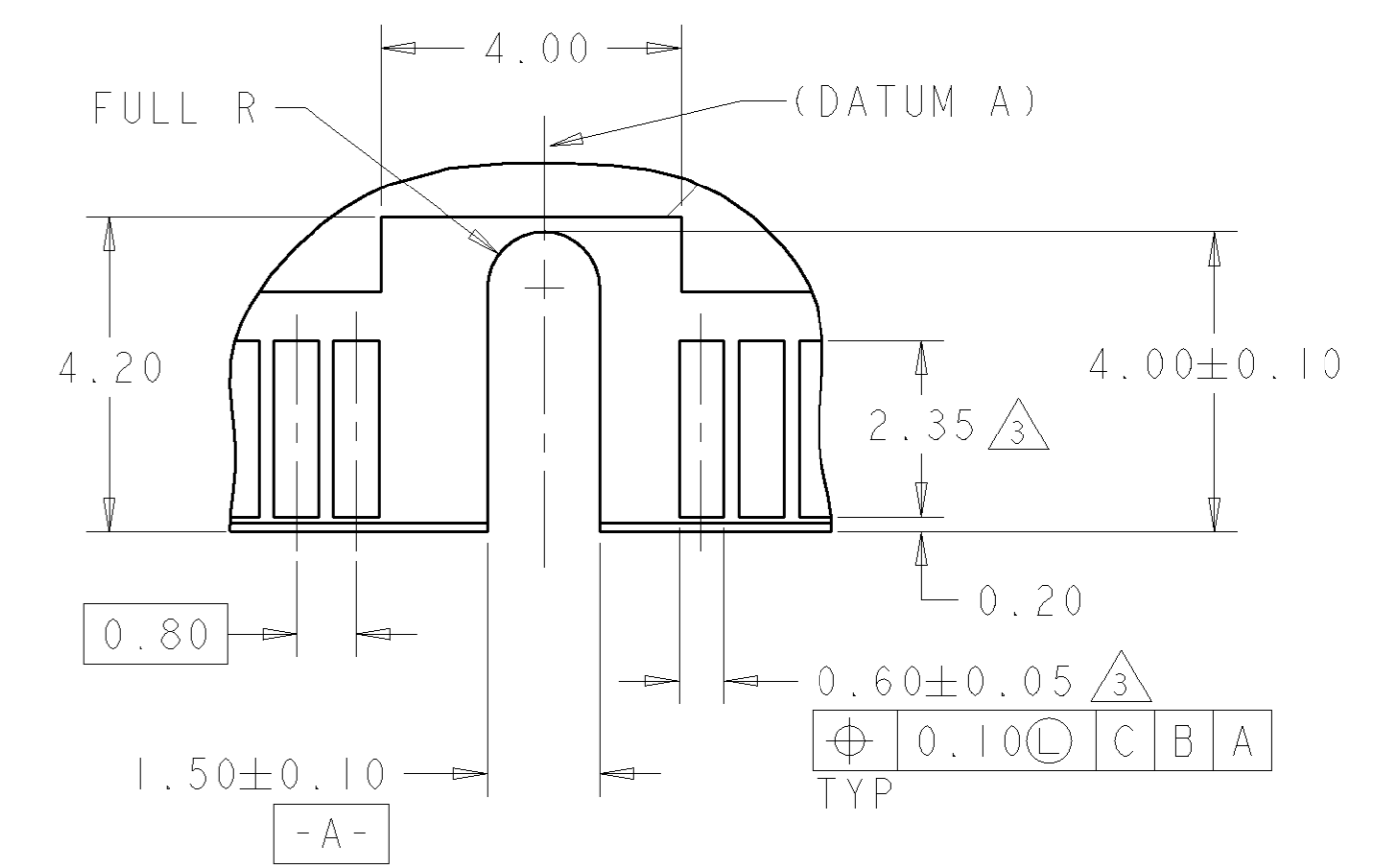
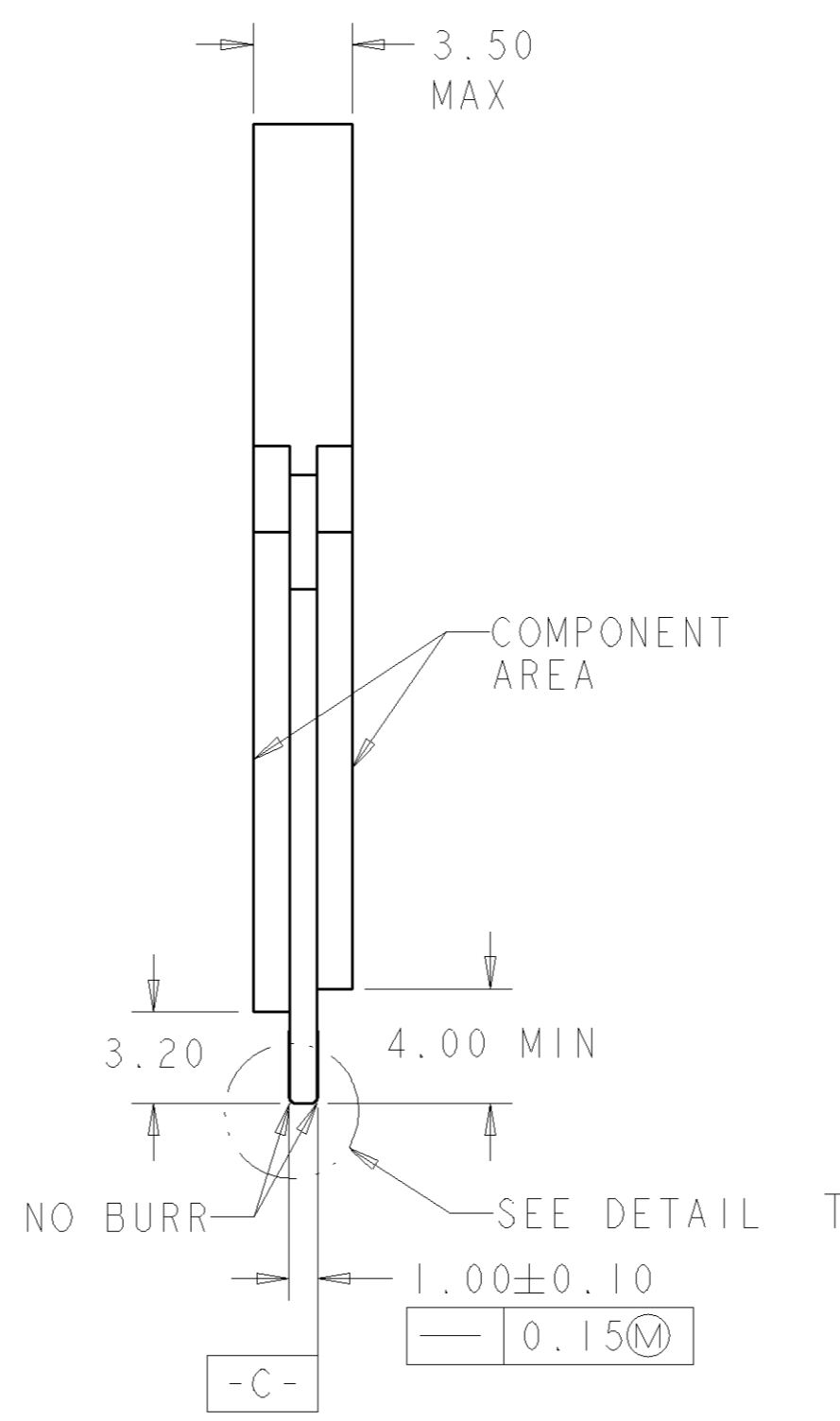
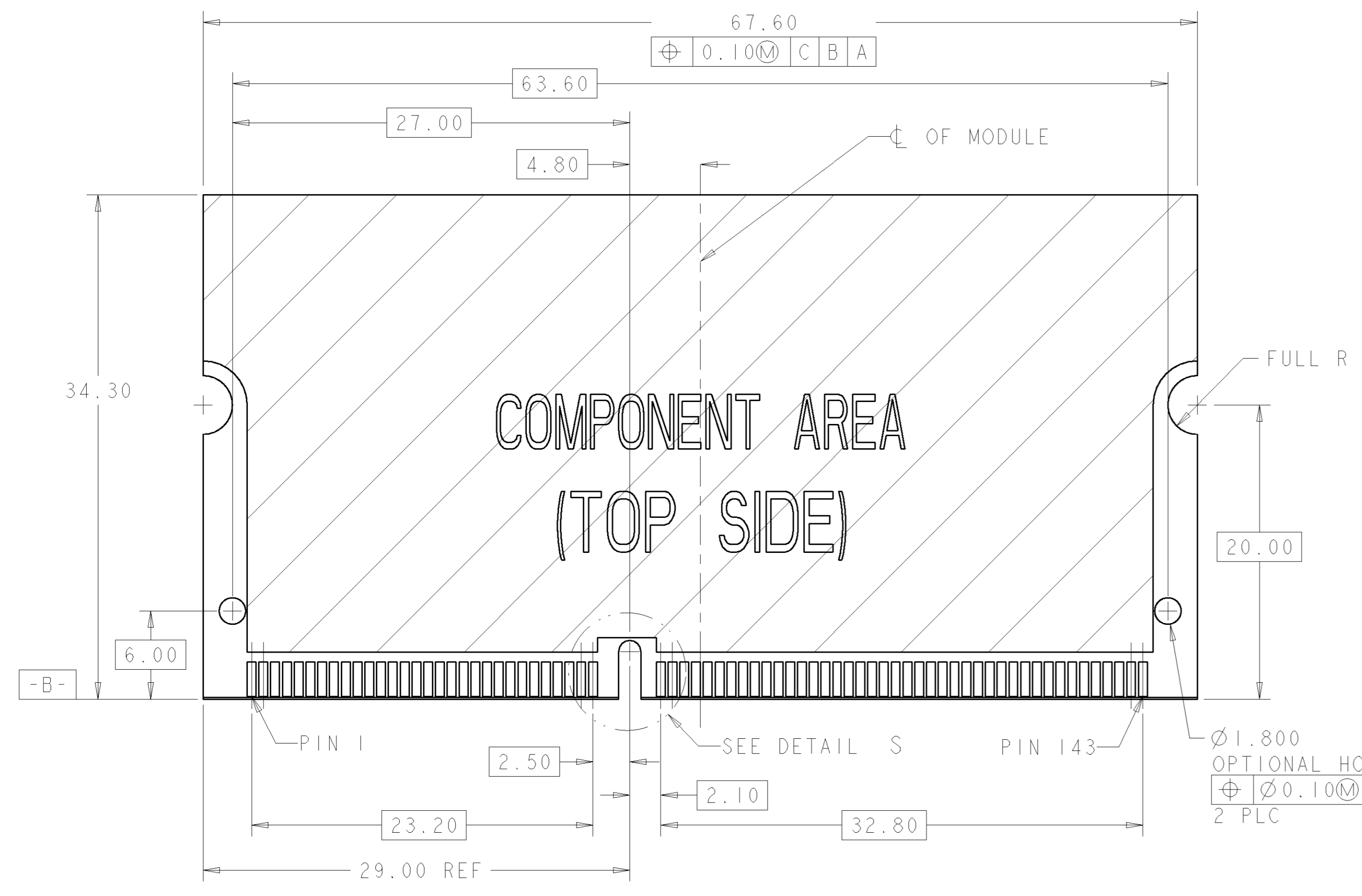
- 1 MATERIAL: HOUSING: HIGH TEMPERATURE PLASTIC - NATURAL  
 LATCHES: STAINLESS STEEL UNS S30100  
 CONTACTS: PHOSPHOROUS BRONZE  
 SOLDER LEADS: PHOSPHOROUS BRONZE
- 2 FINISH: SOLDER LEADS: GOLD 0.00025 MIN IN CONTACT AREA  
 MATTE TIN 0.0025 MIN ON SOLDER TAILS  
 ALL OVER 0.00130 MIN. THICK NICKEL  
 LATCHES: MATTE TIN 0.0025 MIN OVER  
 NICKEL 0.00130 MIN.
- 3 MODULE BOARD PAD FINISH: FOR OPTIMUM PERFORMANCE  
 SMOOTH AND FLAT  
 0.00075 MIN THICK GOLD OVER  
 0.00200 MIN THICK NICKEL.



SECTION P-P  
 SCALE 6:1

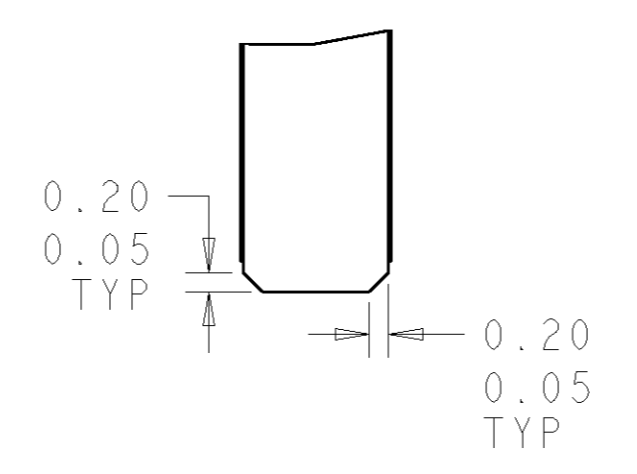
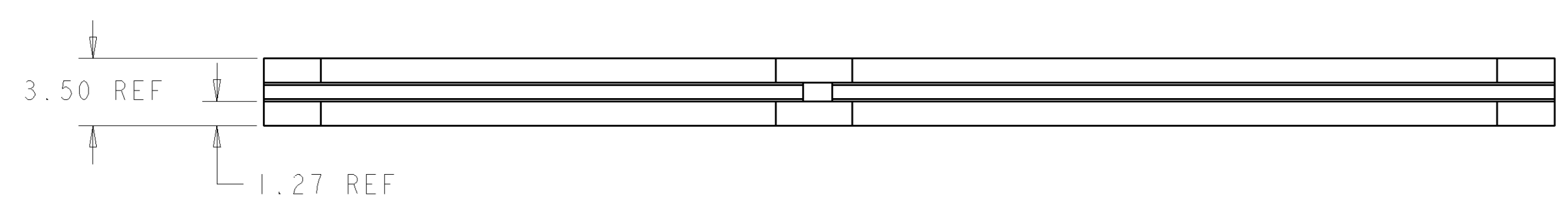
DRAM 3.3V		144	6368063-1
POWER SUPPLY		POSN	PART NUMBER
DWN M. YEOMANS 21FEB05		AMP Incorporated	
ENR M. YEOMANS 21FEB05		Harrisburg, PA 17105-3608	
APVD S. BURKHOLDER 21FEB05		NAME ANGLED S.O. DIMM SOCKET ASSEMBLY	
PRODUCT SPEC		0.8mm PITCH, 144 POSN, 22.5 DEGREES	
APPLICATION SPEC		TILT FOR DRAM TYPE MODULE	
MATERIAL		SIZE	CAGE CODE DRAWING NO
FINISH		WEIGHT	RESTRICTED TO
CUSTOMER DRAWING		A100779C-6368063	SCALE 5:1 SHEET 1 OF 3 REV A

REVISONS		DATE	DWN	APVD
GP	0			
DESCRIPTION				
SEE SHEET 1				

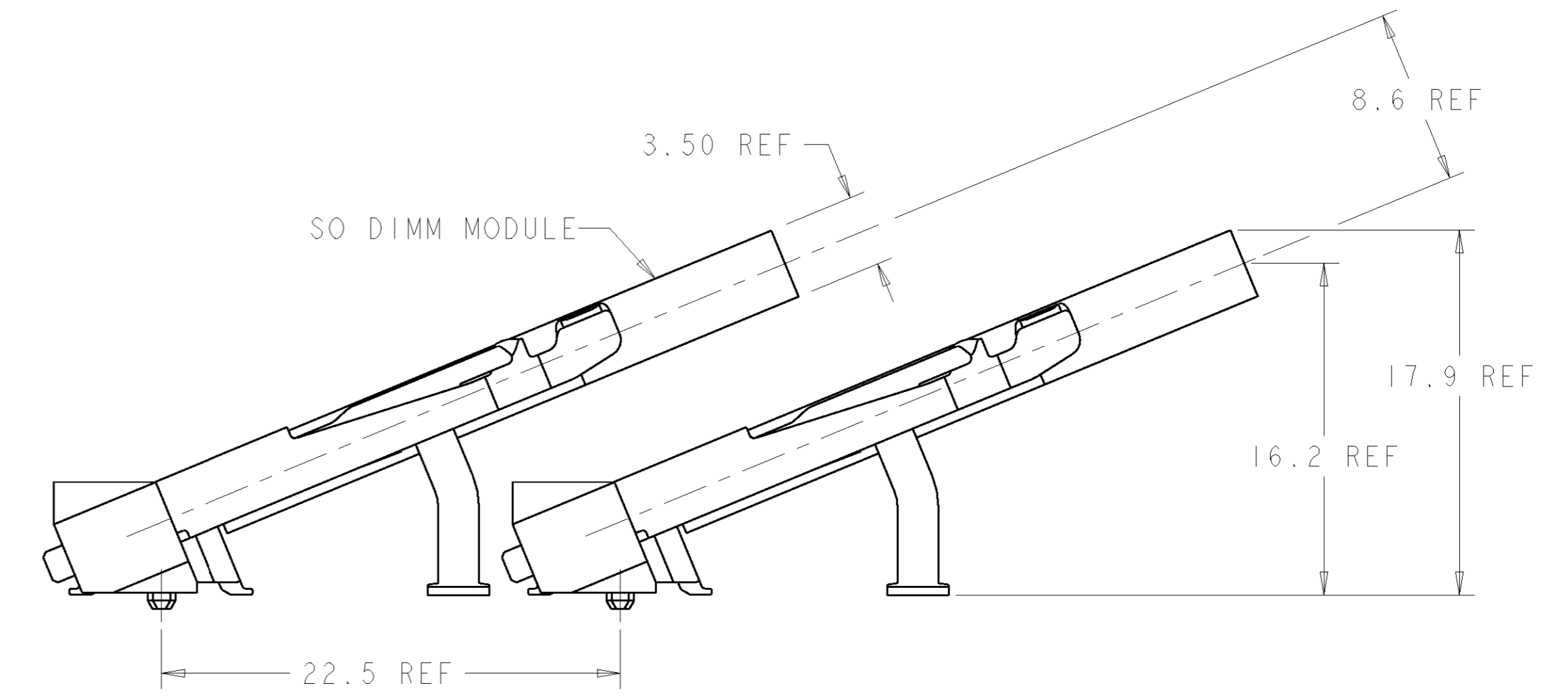
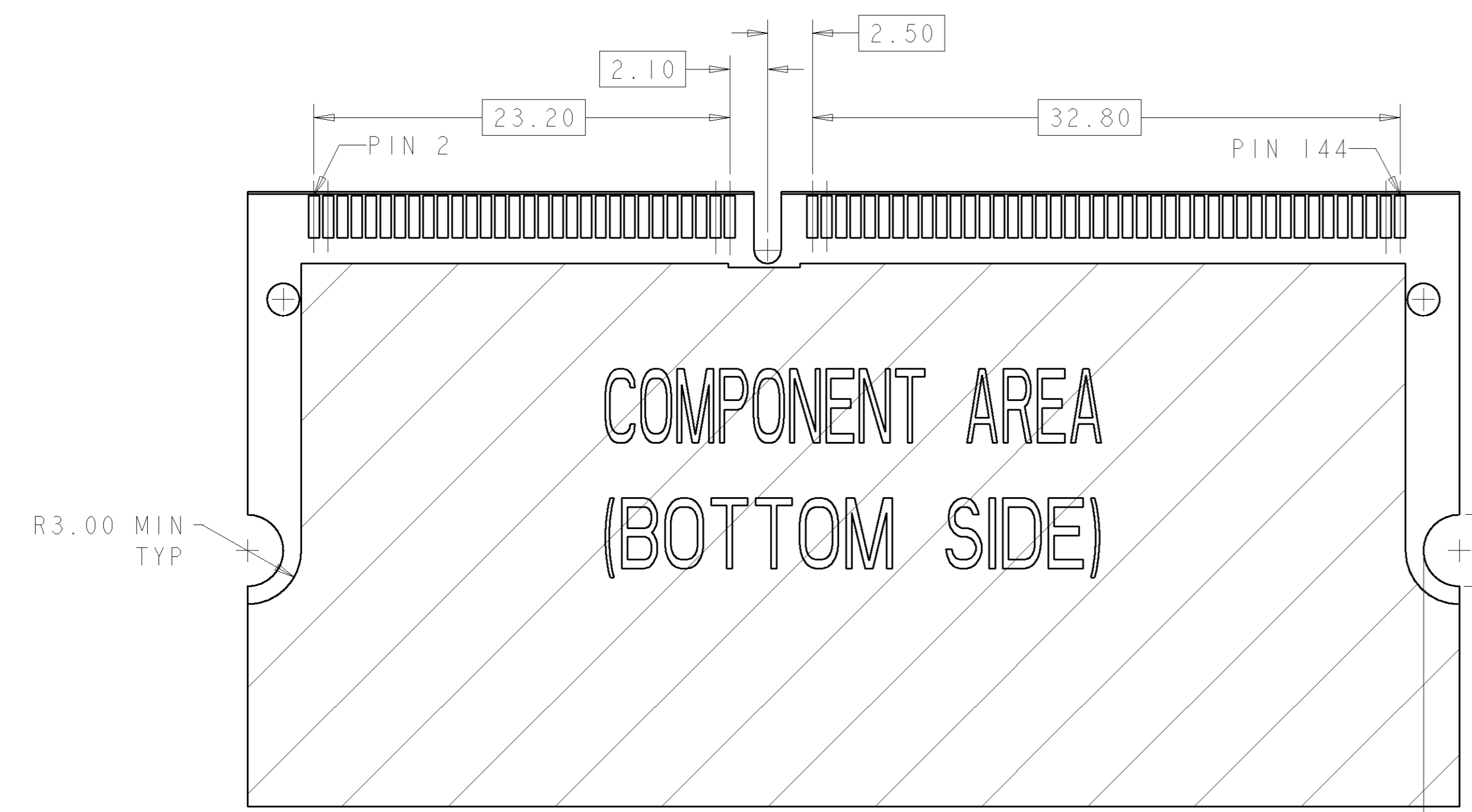


DETAIL S  
 SCALE 10:1

SO DIMM MODULE  
 SCALE 4:1  
 (REFER TO JEDEC ITEM MO-190  
 FOR COMPLETE MODULE SPECIFICATIONS)



DETAIL T  
 SCALE 20:1

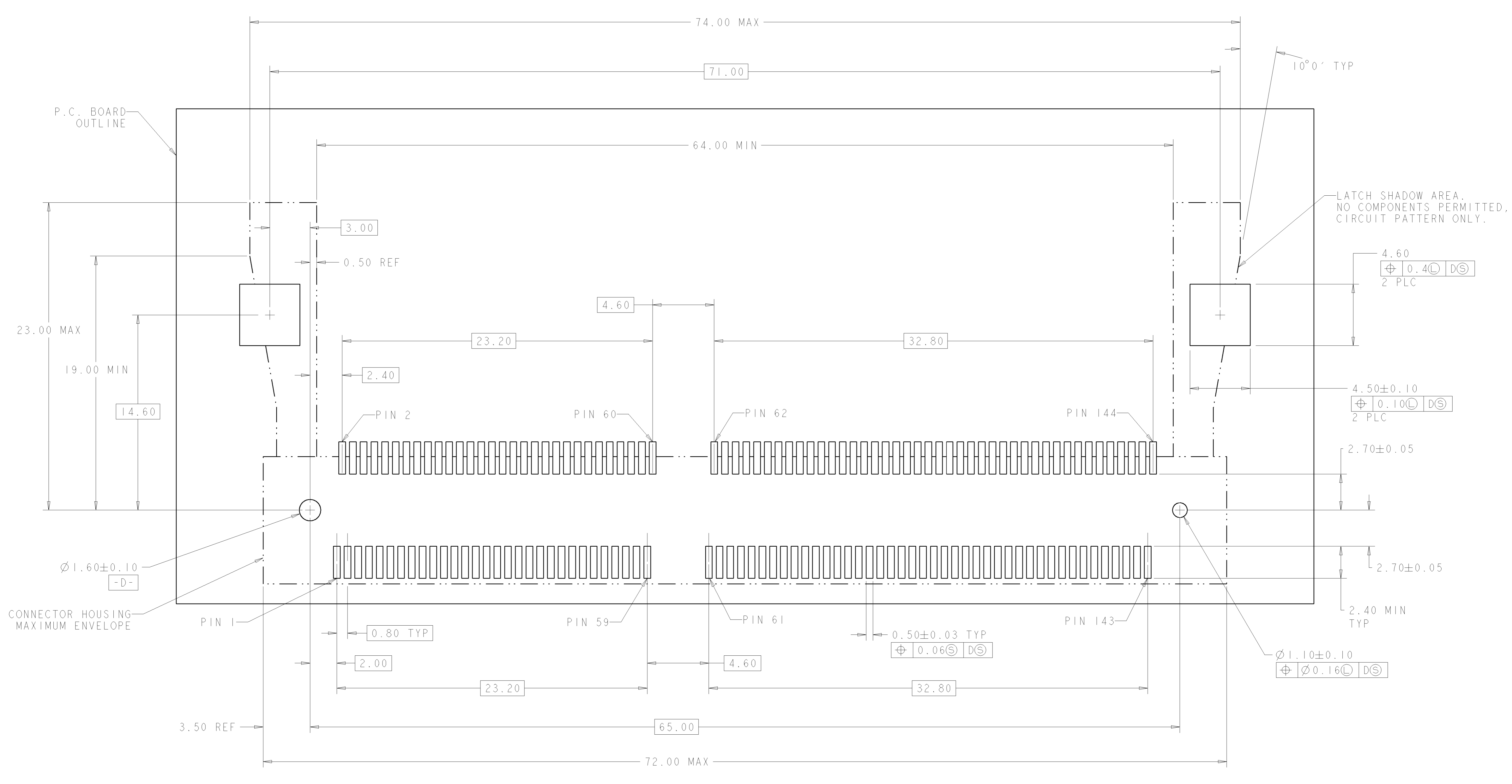


SOCKET TO SOCKET  
 SCALE 4:1

DIMENSIONS: mm 		TOLERANCES UNLESS OTHERWISE SPECIFIED: 0 PLC ± 1 PLC ±0.3 2 PLC ±0.20 3 PLC ± 4 PLC ± ANGLES ±1°		DWN M. YEOMANS 21FEB05 ENR M. YEOMANS 21FEB05 APVD S. BURKHOLDER 21FEB05		<b>tyco</b> AMP Incorporated Harrisburg, PA 17105-3608	
MATERIAL 		FINISH 		NAME ANGLD S.O. DIMM SOCKET ASSEMBLY 0.8mm PITCH, 144 POSN, 22.5 DEGREES TILT FOR DRAM TYPE MODULE		SIZE CAGE CODE DRAWING NO. RESTRICTED TO A100779C-6368063	
CUSTOMER DRAWING				SCALE 4:1		SHEET 2 OF 3 REV A	



LOC	DIST	REV	DESCRIPTION	DATE	DWN	APVD
GP	0	-	SEE SHEET 1	-	-	-



RECOMMENDED MOTHERBOARD FOOTPRINT  
 SCALE 7:1

DIMENSIONS: mm 		TOLERANCES UNLESS OTHERWISE SPECIFIED: 0 PLC ± 1 PLC ±0.3 2 PLC ±0.20 3 PLC ± 4 PLC ± ANGLES ±°		DWN M. YEOMANS 21FEB05 ENR M. YEOMANS 21FEB05 APVD S. BURKHOLDER 21FEB05 PRODUCT SPEC APPLICATION SPEC WEIGHT CUSTOMER DRAWING		AMP Incorporated Harrisburg, PA 17105-3608 NAME ANGLED S.O. DIMM SOCKET ASSEMBLY PRODUCT SPEC 0.8mm PITCH, 144 POSN, 22.5 DEGREES APPLICATION SPEC TILT FOR DRAM TYPE MODULE SIZE CASE CODE DRAWING NO. RESTRICTED TO A 100779 C=6368063 SCALE 5:1 SHEET 3 OF 3 REV A	
-----------------------	--	---	--	--	--	--	--