



Chipsmall Limited consists of a professional team with an average of over 10 year of expertise in the distribution of electronic components. Based in Hongkong, we have already established firm and mutual-benefit business relationships with customers from,Europe,America and south Asia,supplying obsolete and hard-to-find components to meet their specific needs.

With the principle of “Quality Parts,Customers Priority,Honest Operation,and Considerate Service”,our business mainly focus on the distribution of electronic components. Line cards we deal with include Microchip,ALPS,ROHM,Xilinx,Pulse,ON,Everlight and Freescale. Main products comprise IC,Modules,Potentiometer,IC Socket,Relay,Connector.Our parts cover such applications as commercial,industrial, and automotives areas.

We are looking forward to setting up business relationship with you and hope to provide you with the best service and solution. Let us make a better world for our industry!



Contact us

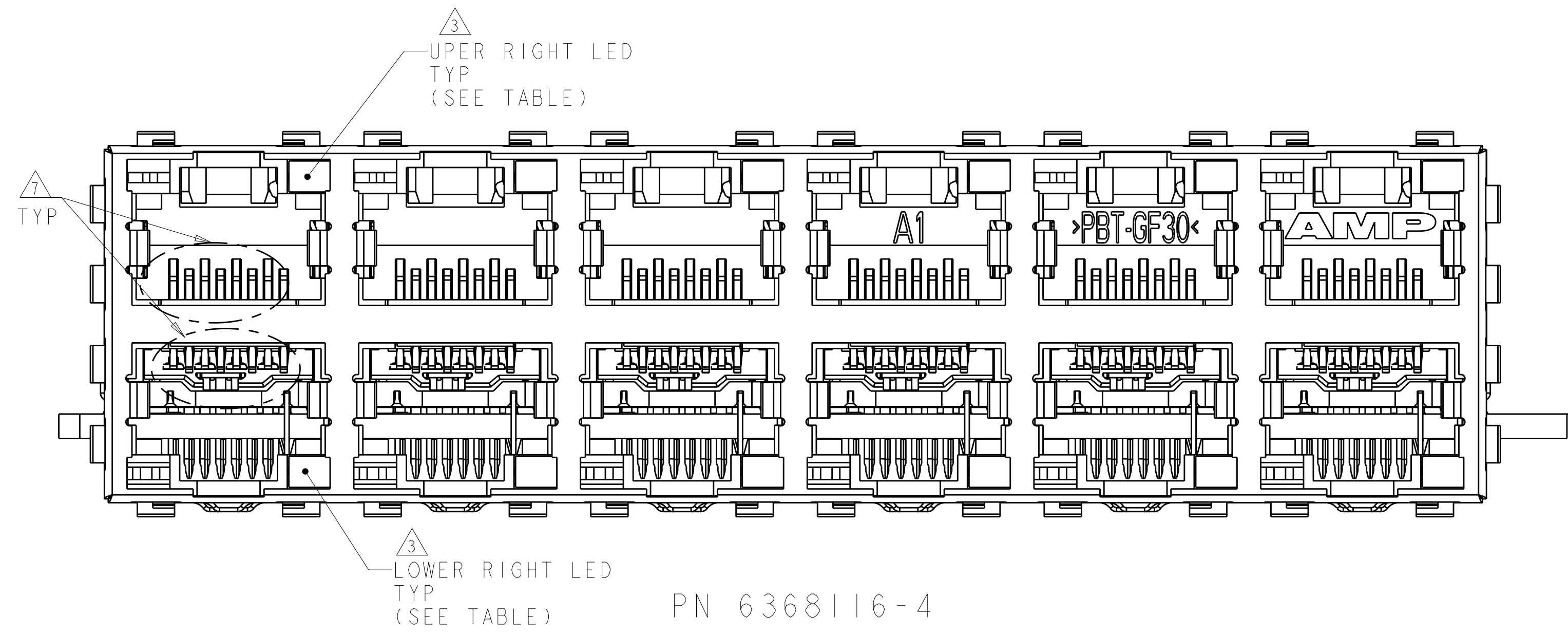
Tel: +86-755-8981 8866 Fax: +86-755-8427 6832

Email & Skype: info@chipsmall.com Web: www.chipsmall.com

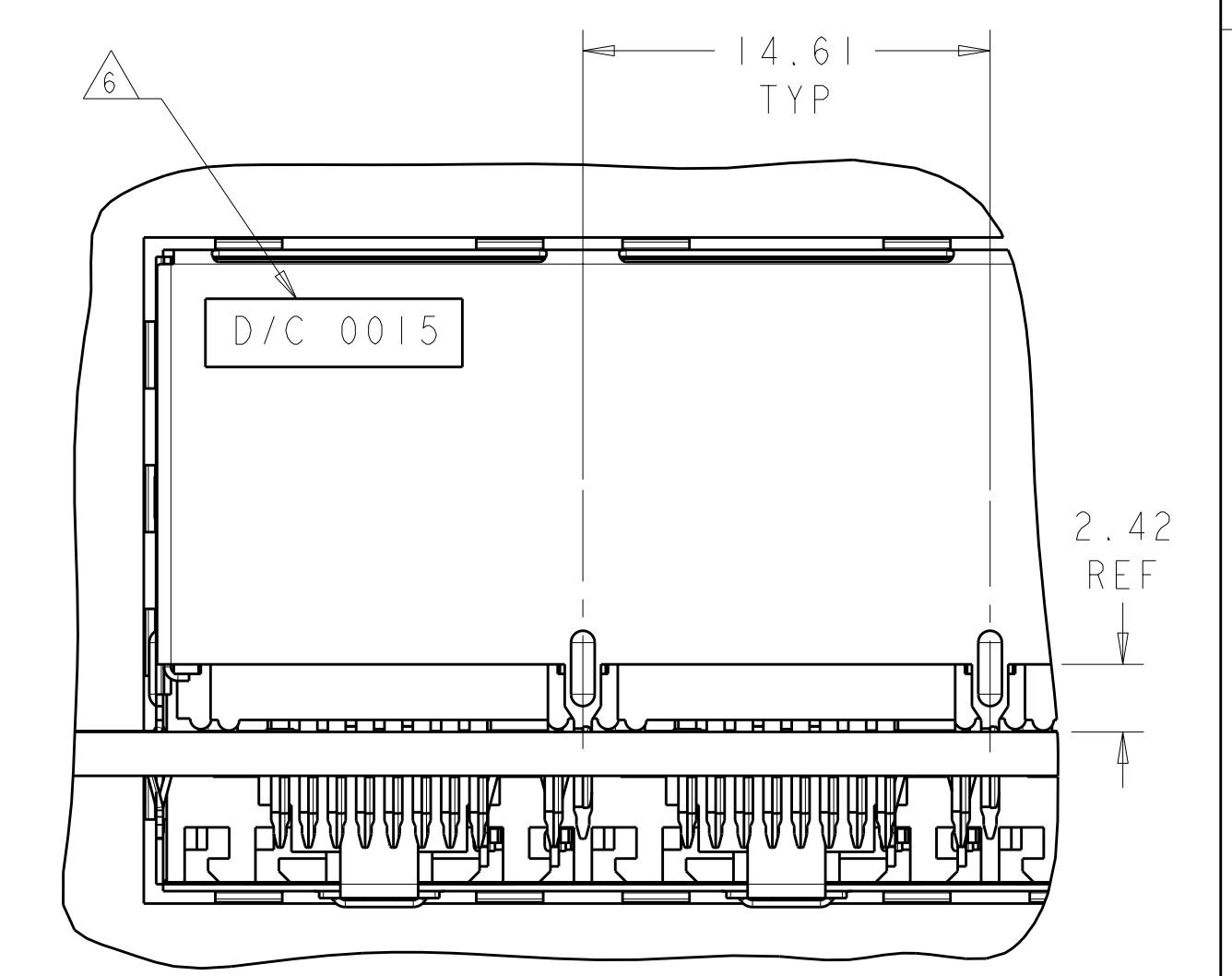
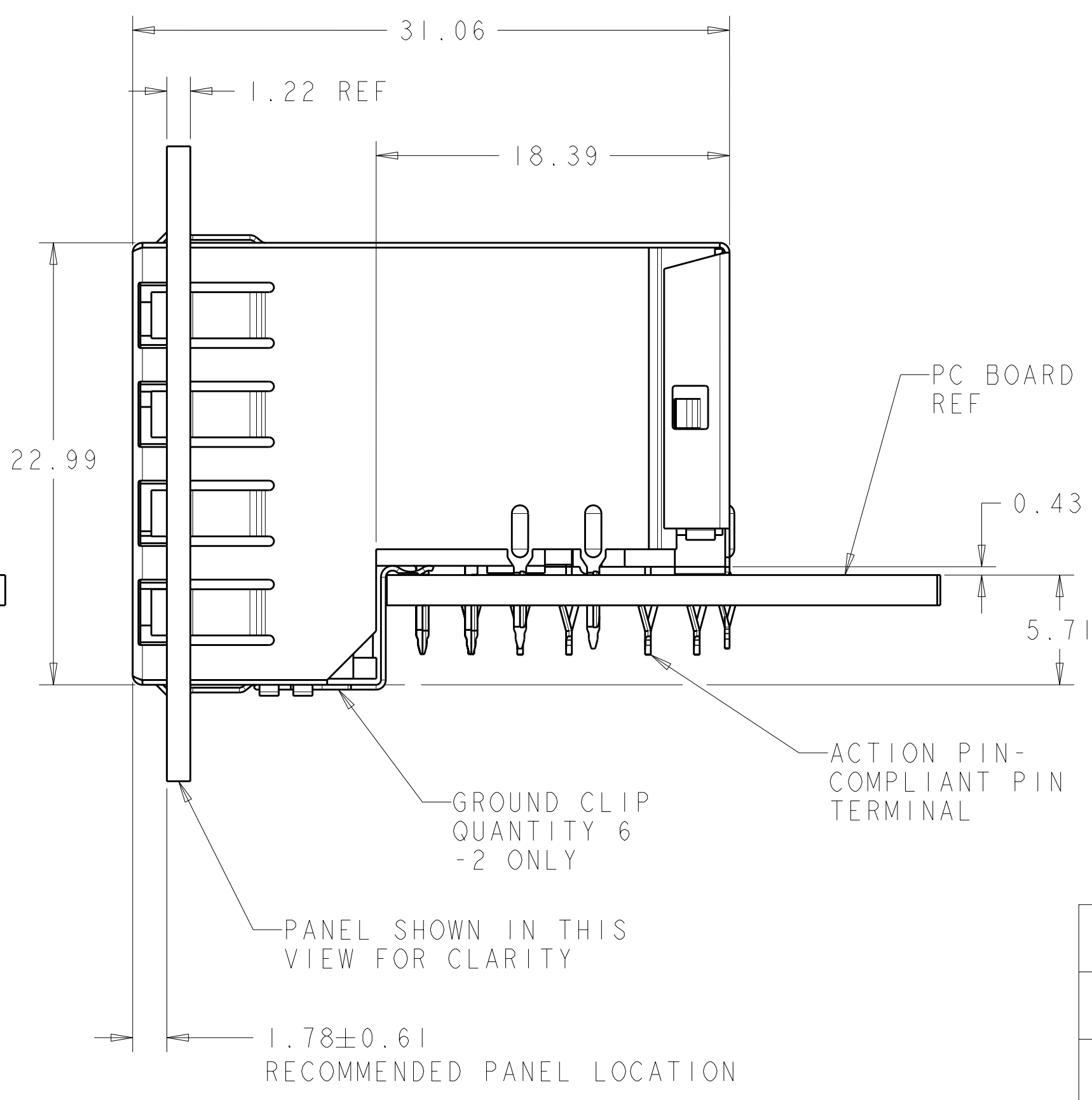
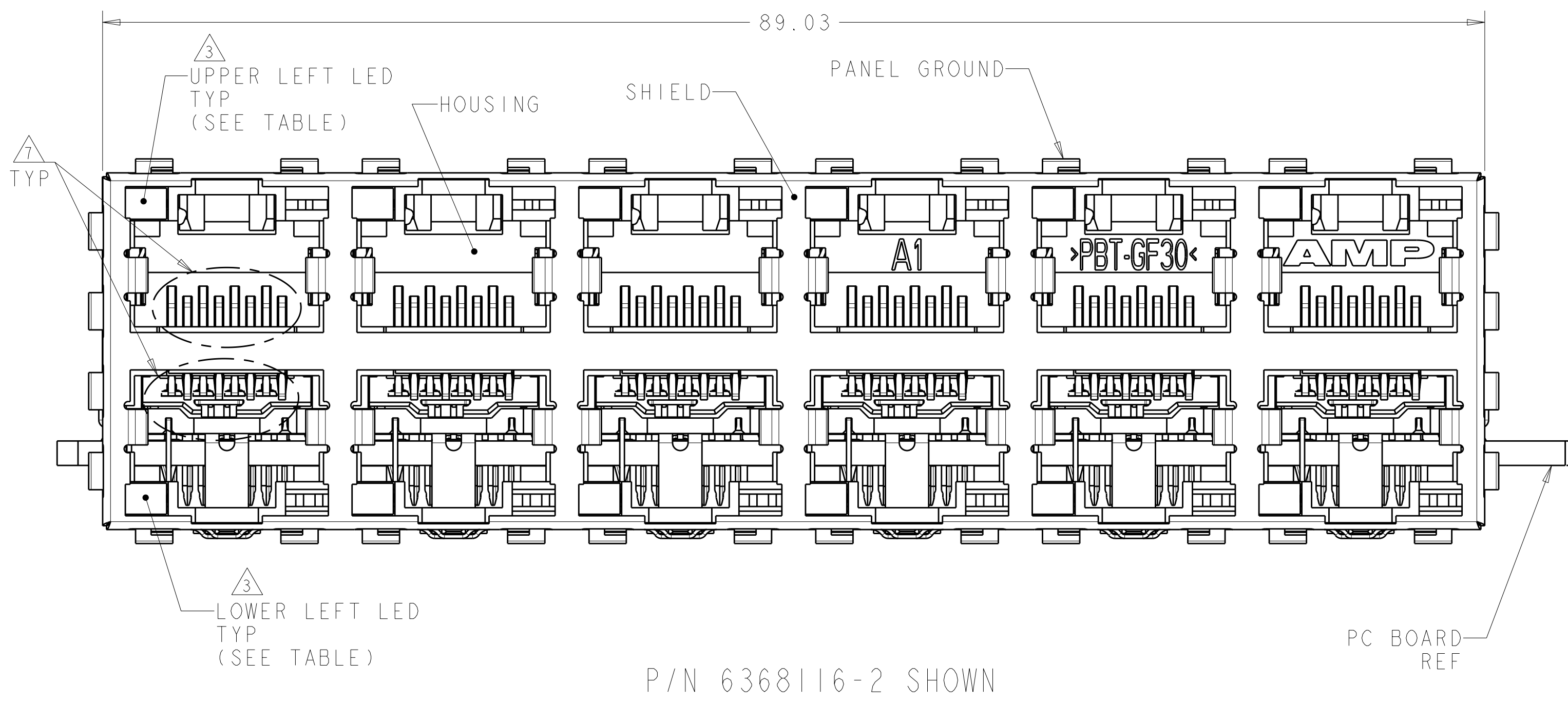
Address: A1208, Overseas Decoration Building, #122 Zhenhua RD., Futian, Shenzhen, China



LOC	DIST	REV	DATE	BY	APPD
AA	22				
C1			12DEC09	KK	AEQ
D			26OCT11	JJ	MOW



- MATERIAL:
 HOUSING:
 PBT POLYESTER, BLACK, UL 94V-0.
 TERMINALS:
 0.33 THICK PHOSPHOR BRONZE PLATED WITH 1.27µm MINIMUM THICK HARD GOLD IN LOCALIZED AREA AND 2µm MINIMUM THICK MATTE TIN IN ACTION PIN COMPLIANT PIN TERMINAL AREA OVER 1.27µm MINIMUM THICK NICKEL UNDERPLATE.
 SHIELD:
 0.25 THICK COPPER ALLOY PLATED WITH 2.03µm MINIMUM BRIGHT TIN OVER 1.27µm MINIMUM NICKEL.
 LIGHT EMITTING DIODE (LED):
 DIFFUSED EPOXY LENS, 0.51 CARBON STL WIREFRAME LEADS PREPLATED WITH 8.89 µm THICK TIN/COPPER OVER 2.03 µm THICK SILVER OVER 1.02 µm THICK COPPER OVER 3.56 µm THICK NICKEL OVER 1.02 µm THICK COPPER UNDERPLATE
 LED ACTION PIN - COMPLIANT PIN CONTACTS 0.3 THICK BRASS PLATED WITH 2-4µm BRIGHT TIN.
 - JACK CAVITY CONFORMS TO FCC RULES AND REGULATIONS, PART 68 SUBPART F.
- ③ SUGGESTED OPERATING CURRENT FOR LEDS IS 20 mA
 - ④ DRILLED HOLE DIA = 1.02±.025.
 COPPER THICKNESS = 0.025-0.075.
 TIN THICKNESS = 0.008 MIN.
 - ⑤ DATUMS AND BASIC DIMENSIONS ESTABLISHED BY CUSTOMER
 - ⑥ DATE CODE LOCATED ON REAR OF PART APPROXIMATELY AS SHOWN
 - ⑦ CONTACTS ARE NOT INTENDED TO BE ALIGNED WITH EACH OTHER
 - ⑧ FOR THE PART NUMBER 6368116-4, CONTACT AREA LUBRICATED WITH BELLCORE APPROVED LUBRICANT. TECHNICAL REFERENCE GR-1217-CORE, ISSUE 1, NOVEMBER 1995.
 - ⑨ OBSOLETE PARTS: OBSOLETE CIS STREAMLINING PER D.RENAUD/D.SINISI

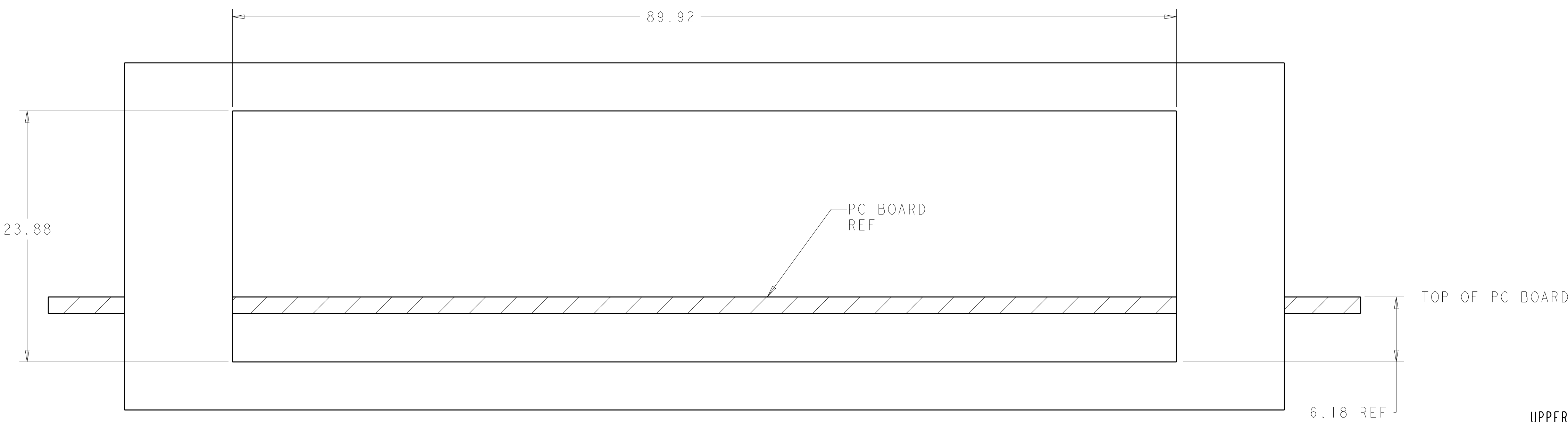


LED COLOR	DESCRIPTION	PART NUMBER
GREEN	RIGHT HAND LEDS ONLY	6368116-4 ⑧
YELLOW/GREEN	LEFT HAND LEDS ONLY	6368116-3
GREEN	LEFT HAND LEDS WITH GROUND CLIPS	6368116-2
GREEN	LEFT HAND LEDS ONLY	6368116-1

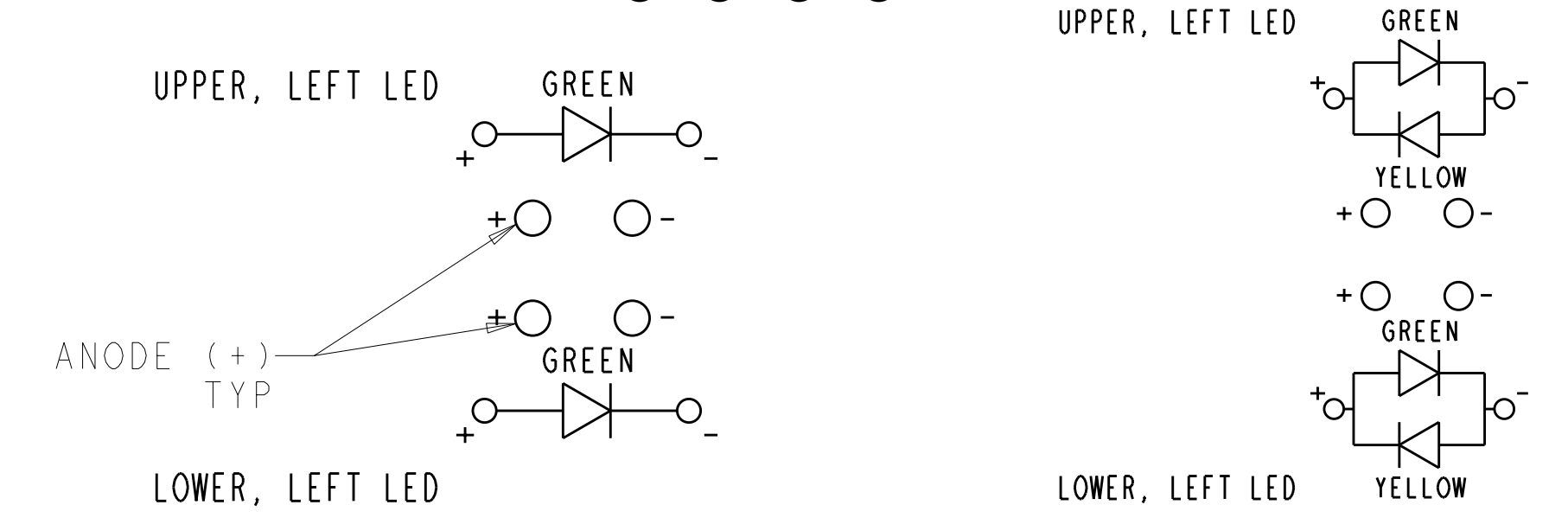
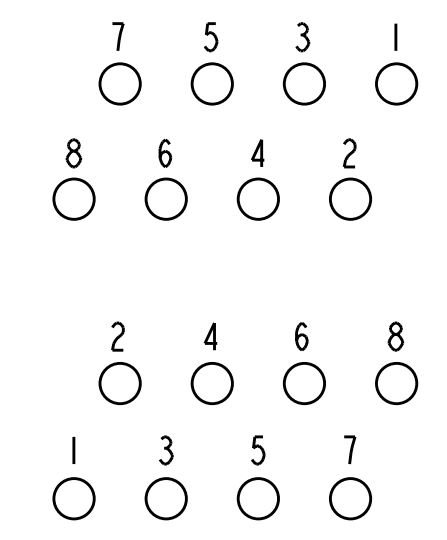
THIS DRAWING IS A CONTROLLED DOCUMENT.

DIMENSIONS: mm 	TOLERANCES UNLESS OTHERWISE SPECIFIED: 9 PLC ± 3 PLC ±0.13 5 PLC ± 4 PLC ± ANGLES ±1°	DWN: A.FERNANDEZ 27JUL2005 CHK: J.WESTMAN 27JUL2005 APPD: S.FLICKINGER 27JUL2005 NAME: OFFSET STACKED MOD JACK ASSEMBLY 2 X 6, 8 POSITION, RJ45, SHIELDED, PANEL GROUND, WITH LEFT LED, CAT 5 PRODUCT SPEC: 108-1854 APPLICATION SPEC: SIZE: 114-2160 WEIGHT: CUSTOMER DRAWING	TE Connectivity SCALE: 4:1 SHEET: 1 OF 3 REV: D
-----------------------	--	--	--

LOC	DIST	REV	DATE	BY	APPD	DESCRIPTION
AA	22					SEE SHEET 1

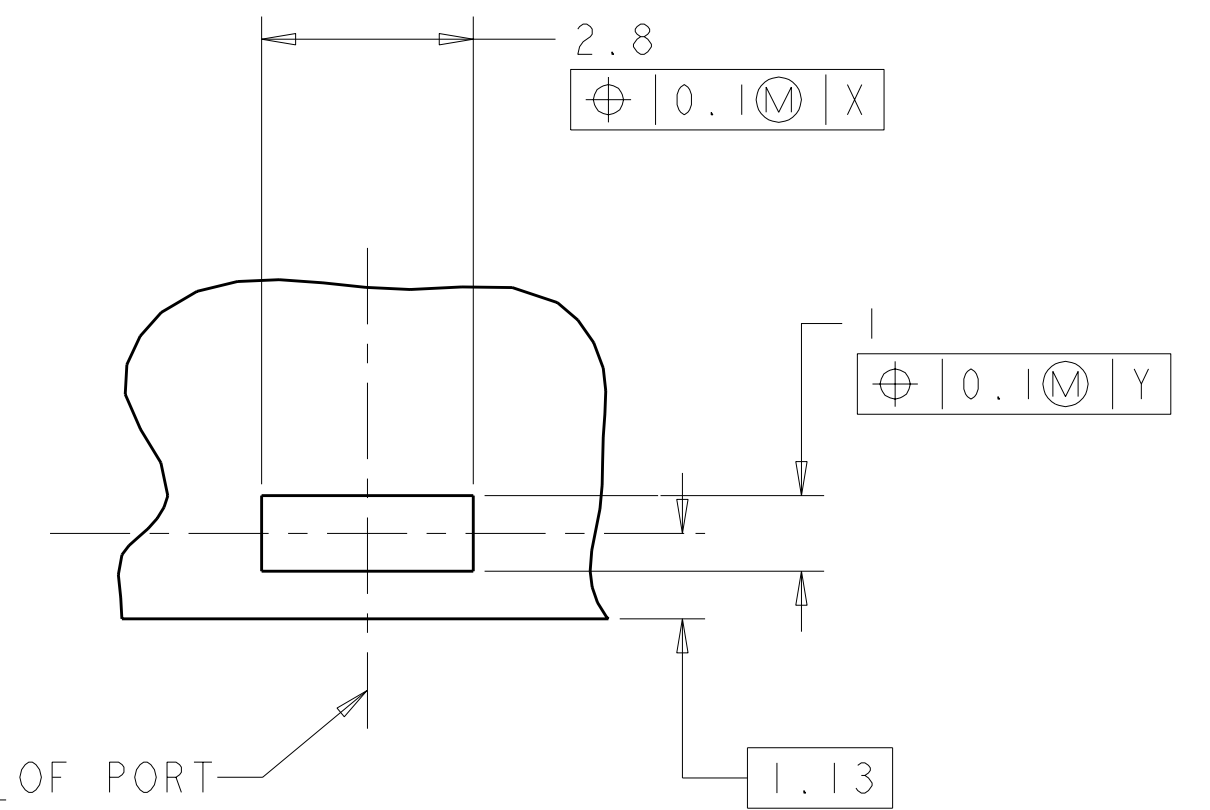
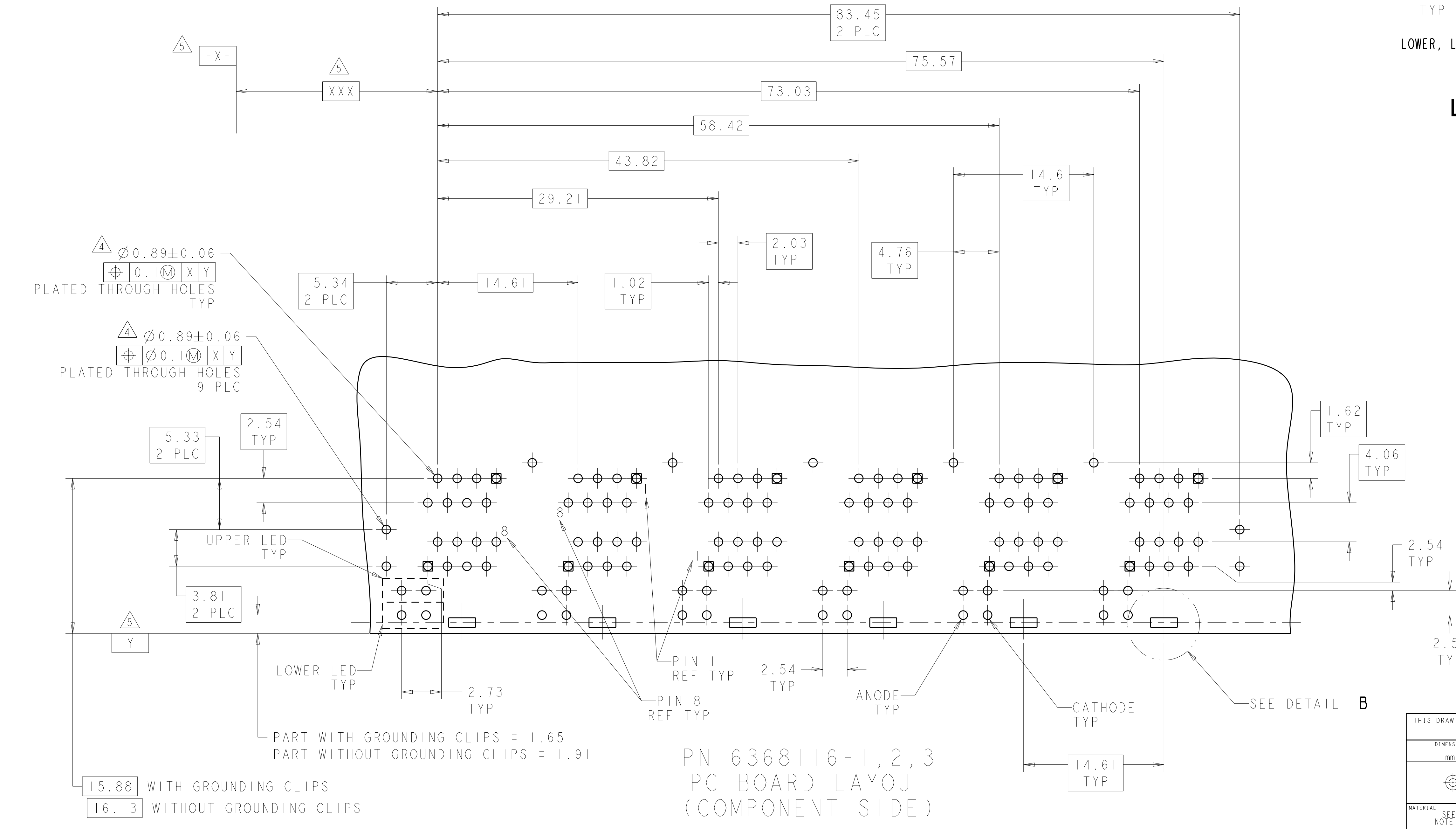


RECOMMENDED PANEL CUT-OUT



6368116-1, -2
LED SCHEMATIC

6368116-3
LED SCHEMATIC

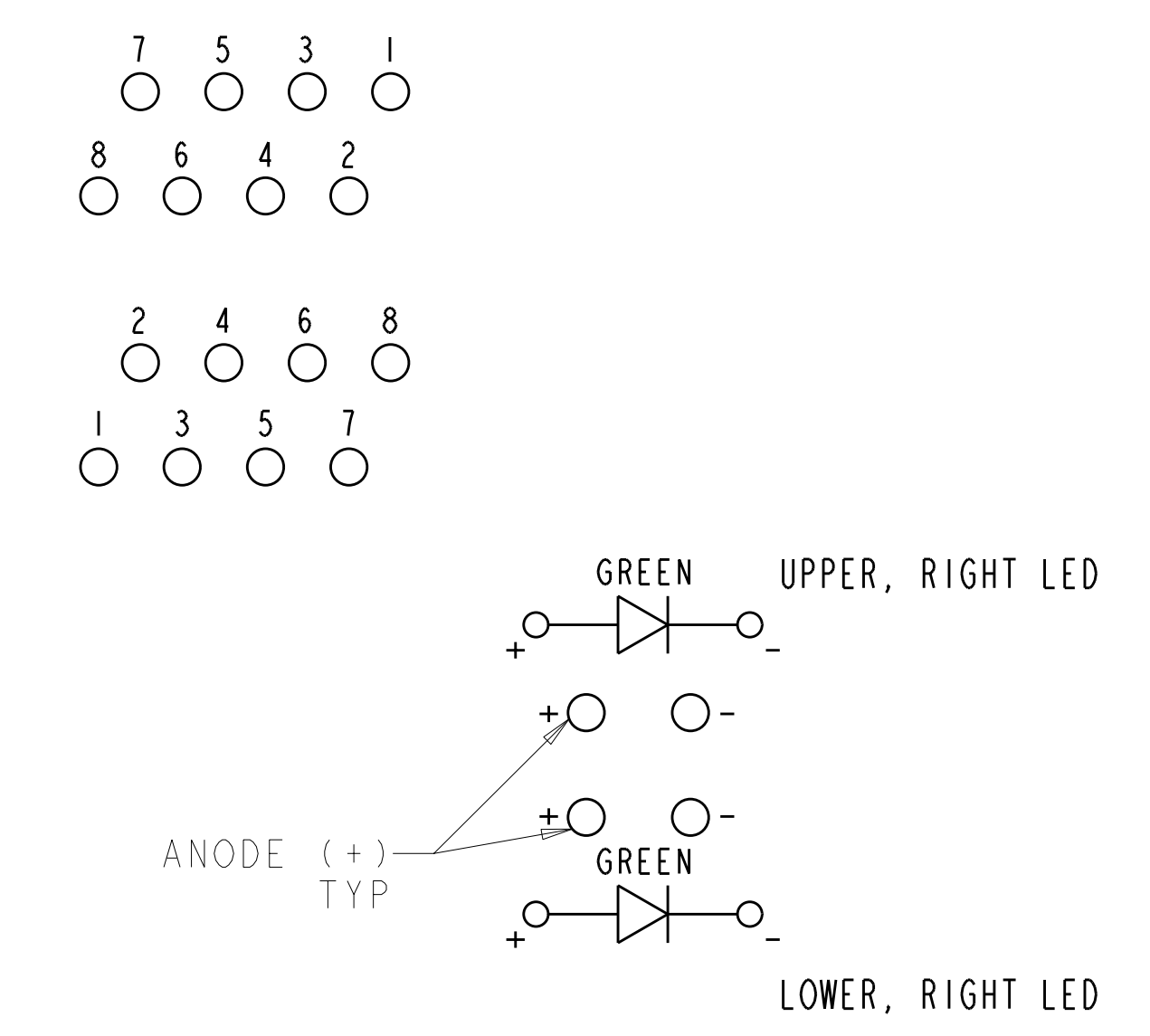
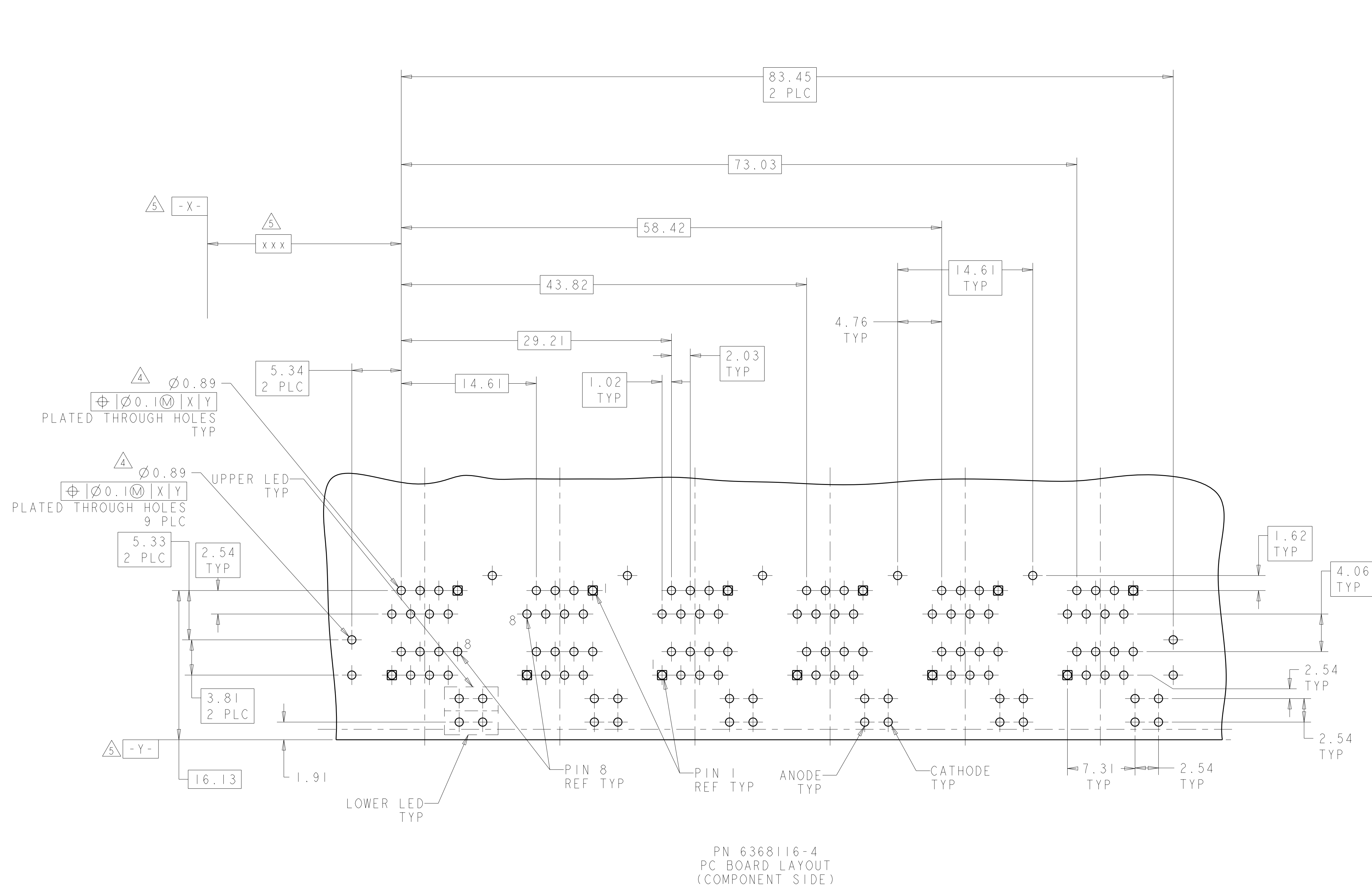


DETAIL B
THESE PLATED PADS REQUIRED FOR 6368116-2
PRODUCT WITH GROUNDING CLIPS
SCALE 10:1
6 PLACES

PN 6368116-1,2,3
PC BOARD LAYOUT
(COMPONENT SIDE)

THIS DRAWING IS A CONTROLLED DOCUMENT.		OWN A. FERNANDEZ 27JUL2005	TE Connectivity
DIMENSIONS: mm		CHK J. WESTMAN 27JUL2005	
TOLERANCES UNLESS OTHERWISE SPECIFIED:		APPD S. FLICKINGER 27JUL2005	
9 PLC	±	PRODUCT SPEC	
1 PLC	±0.1	108-1854	
2 PLC	±0.13	APPLICATION SPEC	
3 PLC	±	114-2160	
4 PLC	±	WEIGHT	
ANGLES	±1*	FINISH	
MATERIAL SEE NOTE 1		SCALE	4:1
		SHEET	2 OF 3
		REV	D

LOC	DIST	REV	DATE	BY	APPD
AA	22				
REVISIONS			DESCRIPTION	DATE	BY
			SEE SHEET 1		



**6368116-4
LED SCHEMATIC**

PN 6368116-4
PC BOARD LAYOUT
(COMPONENT SIDE)

THIS DRAWING IS A CONTROLLED DOCUMENT.		DWN: 27 JUL 2005 A. FERNANDEZ - DOCKS CHK: 27 JUL 2005 J. WESTMAN APVD: 27 JUL 2005 S. FLICKINGER	STE TE Connectivity
DIMENSIONS: mm 	TOLERANCES UNLESS OTHERWISE SPECIFIED: 9 PLC ± 2 PLC ±0.1 5 PLC ±0.13 4 PLC ± ANGLES ±1°	NAME: OFFSET STACKED MOD JACK ASSEMBLY 2 X 6, 8 POSITION, RJ45, SHIELDED, PANEL GROUND, WITH LEFT LED, CAT 5 PRODUCT SPEC: 108-1854 APPLICATION SPEC: SIZE: 114-2160 WEIGHT:	RESTRICTED TO: A100779 C=6368116 SCALE: 4:1 SHEET 3 OF 3 REV D
MATERIAL: SEE NOTE 1	FINISH: SEE NOTE 1	CUSTOMER DRAWING	