



Chipsmall Limited consists of a professional team with an average of over 10 year of expertise in the distribution of electronic components. Based in Hongkong, we have already established firm and mutual-benefit business relationships with customers from,Europe,America and south Asia,supplying obsolete and hard-to-find components to meet their specific needs.

With the principle of “Quality Parts,Customers Priority,Honest Operation,and Considerate Service”,our business mainly focus on the distribution of electronic components. Line cards we deal with include Microchip,ALPS,ROHM,Xilinx,Pulse,ON,Everlight and Freescale. Main products comprise IC,Modules,Potentiometer,IC Socket,Relay,Connector.Our parts cover such applications as commercial,industrial, and automotives areas.

We are looking forward to setting up business relationship with you and hope to provide you with the best service and solution. Let us make a better world for our industry!



Contact us

Tel: +86-755-8981 8866 Fax: +86-755-8427 6832

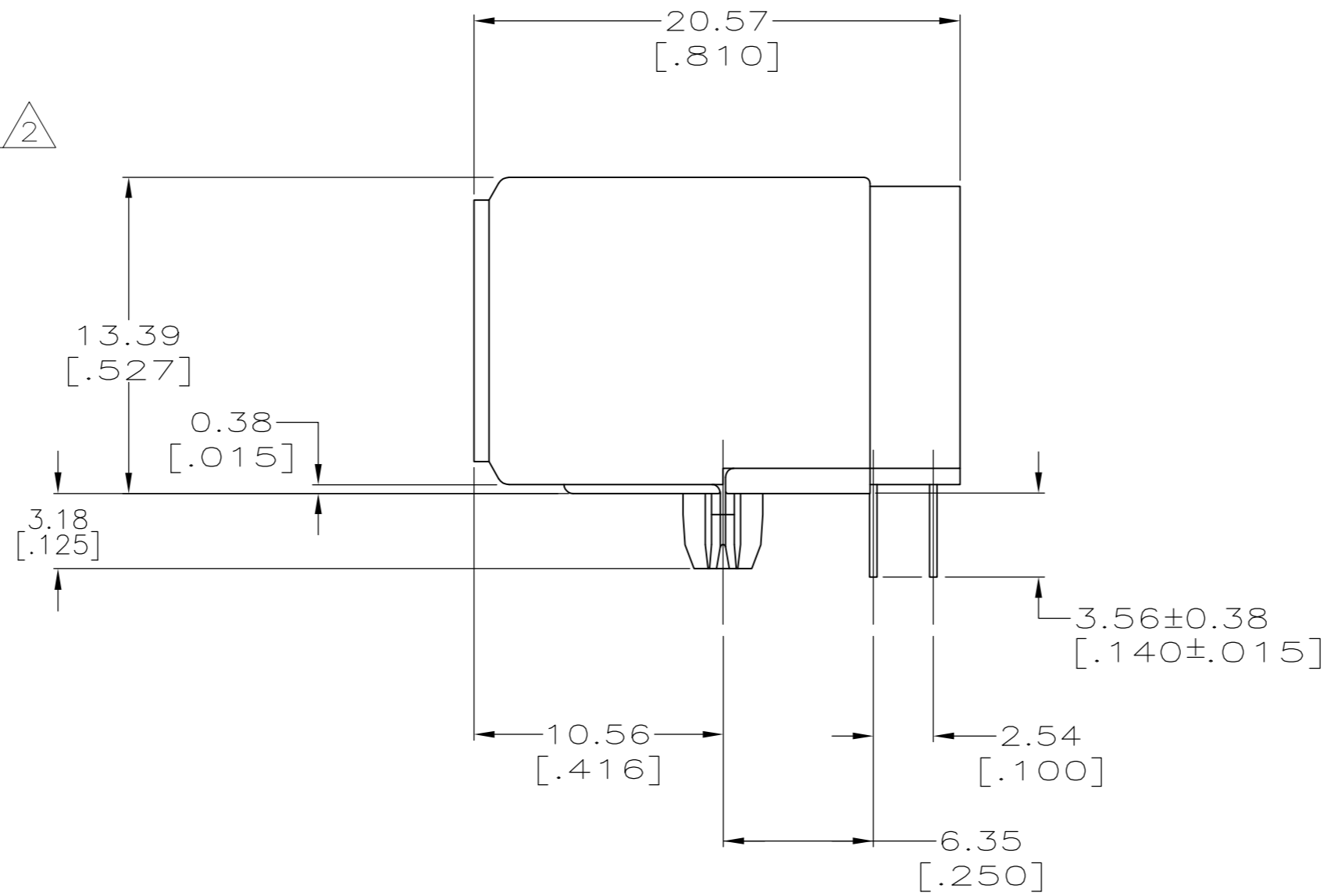
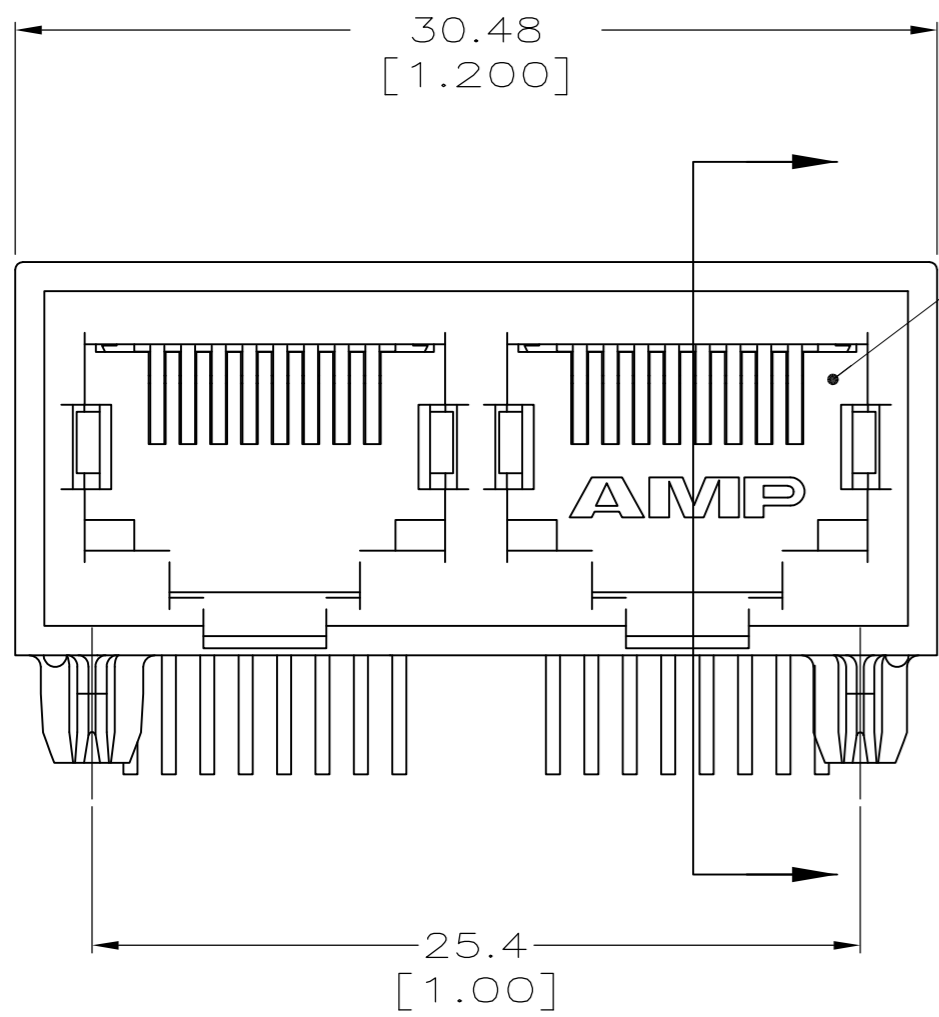
Email & Skype: info@chipsmall.com Web: www.chipsmall.com

Address: A1208, Overseas Decoration Building, #122 Zhenhua RD., Futian, Shenzhen, China

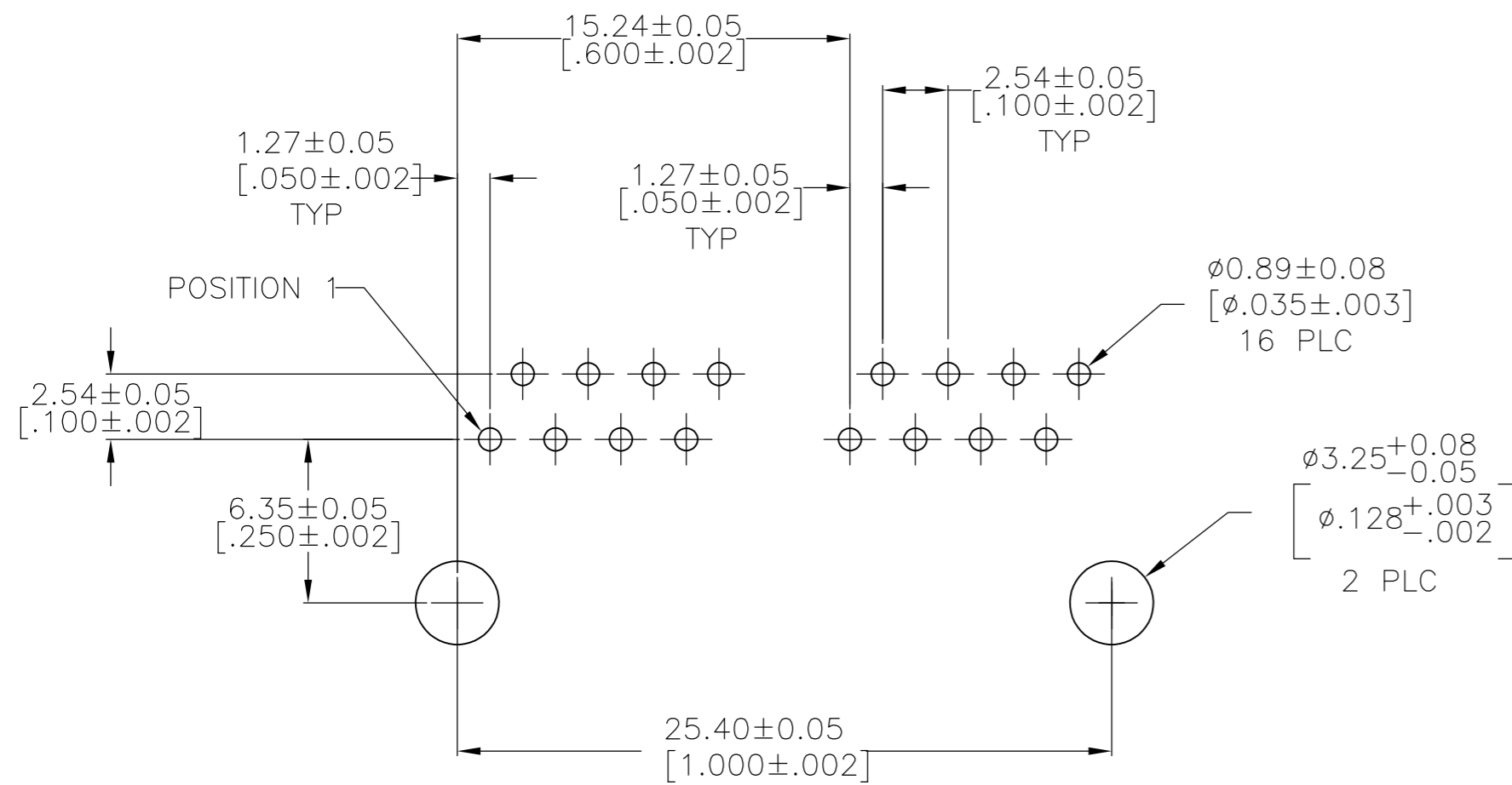


THIS DRAWING IS UNPUBLISHED. RELEASED FOR PUBLICATION
 © COPYRIGHT BY TYCO ELECTRONICS CORPORATION. ALL RIGHTS RESERVED.

LOC		DIST		REVISIONS			
P	LTR	DESCRIPTION	DATE	DWN	APVD		
AA	00	B	ECO-07-021493	03OCT07	LAM	JW	



- 1 MATERIAL:
 HOUSING - NYLON, COLOR: BLACK, UL 94V-0.
 OVERMOLDED TERMINAL ARRAY - PBT, BROWN.
 TERMINAL - 0.33[.013] THICK PHOS-BRONZE PLATED WITH 1.27µm[.000050] THICK HARD GOLD IN LOCALIZED GOLD PLATE AREA AND 3.81µm[.000150] THICK MATTE TIN IN SOLDER AREA OVER 1.27µm[.000050] THICK NICKEL UNDERPLATE.
 △ JACK CAVITY CONFORMS TO FCC RULES AND REGULATIONS PART 68, SUBPART F.



SUGGESTED PC BOARD LAYOUT
 COMPONENT SIDE
 SEE APPLICATION SPECIFICATION

6368120-1
 PART NUMBER

THIS DRAWING IS A CONTROLLED DOCUMENT.		DWN	DL DRUMMOND/L.A.MAYER	10MAY2005	Tyco Electronics Corporation Harrisburg, Pa 17105-3608	
DIMENSIONS: mm		CHK	J.WESTMAN	10MAY2005	NAME	
TOLERANCES UNLESS OTHERWISE SPECIFIED:		APVD	S.FLICKINGER	10MAY2005	PRODUCT SPEC	
0 PLC ± -		APPLICATION SPEC		108-1163-2		
1 PLC ± -		WEIGHT		114-2048		
2 PLC ± 0.25[.01]		CUSTOMER DRAWING		SCALE 4:1 SHEET 1 OF 1 REV B		
3 PLC ± 0.13[.005]		SCALE		A2 00779 C=6368120		
4 PLC ± -		SHEET		1 OF 1		
ANGLES ± -		REV		B		
FINISH		REV		B		