



Chipsmall Limited consists of a professional team with an average of over 10 year of expertise in the distribution of electronic components. Based in Hongkong, we have already established firm and mutual-benefit business relationships with customers from,Europe,America and south Asia,supplying obsolete and hard-to-find components to meet their specific needs.

With the principle of “Quality Parts,Customers Priority,Honest Operation,and Considerate Service”,our business mainly focus on the distribution of electronic components. Line cards we deal with include Microchip,ALPS,ROHM,Xilinx,Pulse,ON,Everlight and Freescale. Main products comprise IC,Modules,Potentiometer,IC Socket,Relay,Connector.Our parts cover such applications as commercial,industrial, and automotives areas.

We are looking forward to setting up business relationship with you and hope to provide you with the best service and solution. Let us make a better world for our industry!



Contact us

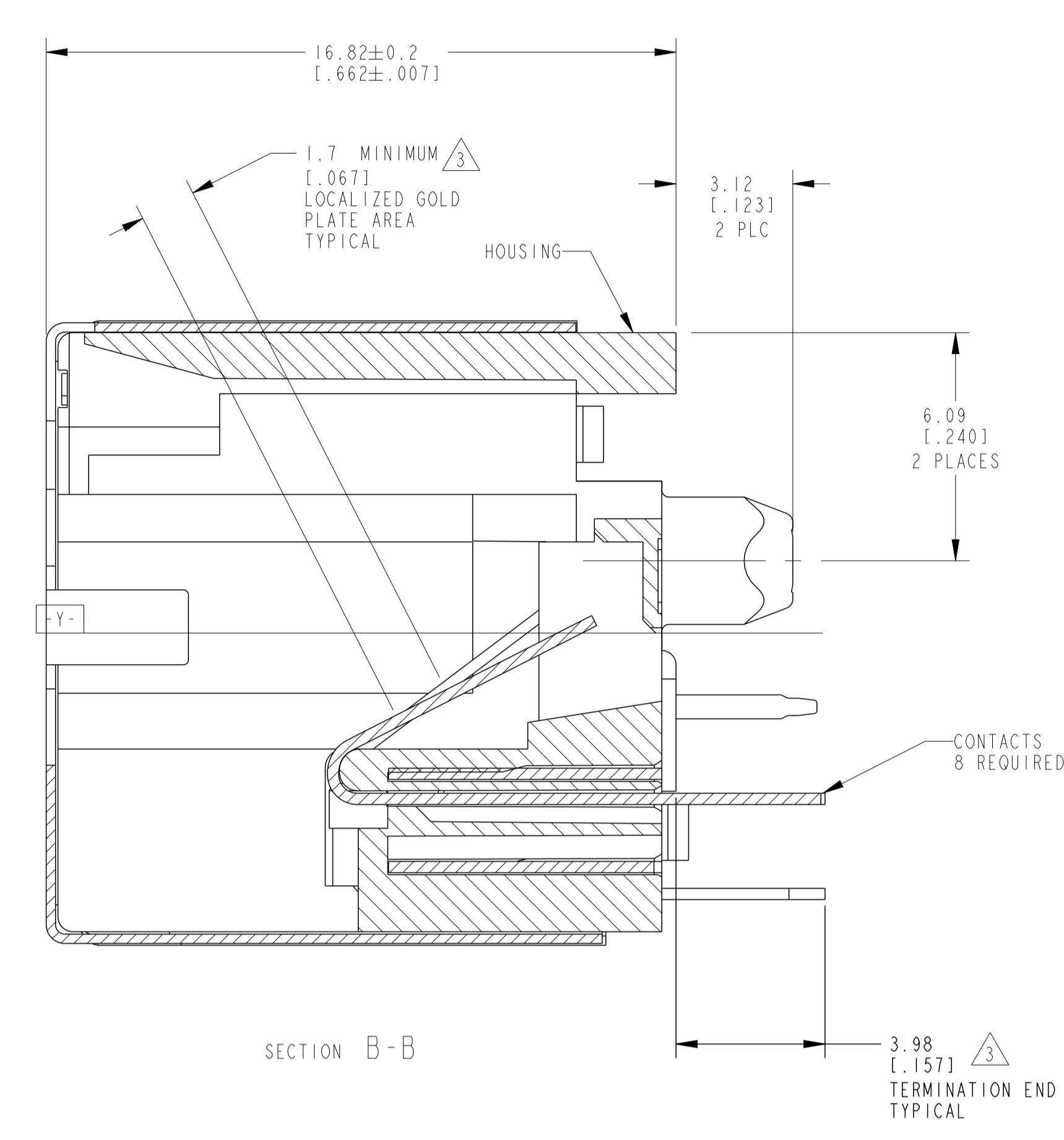
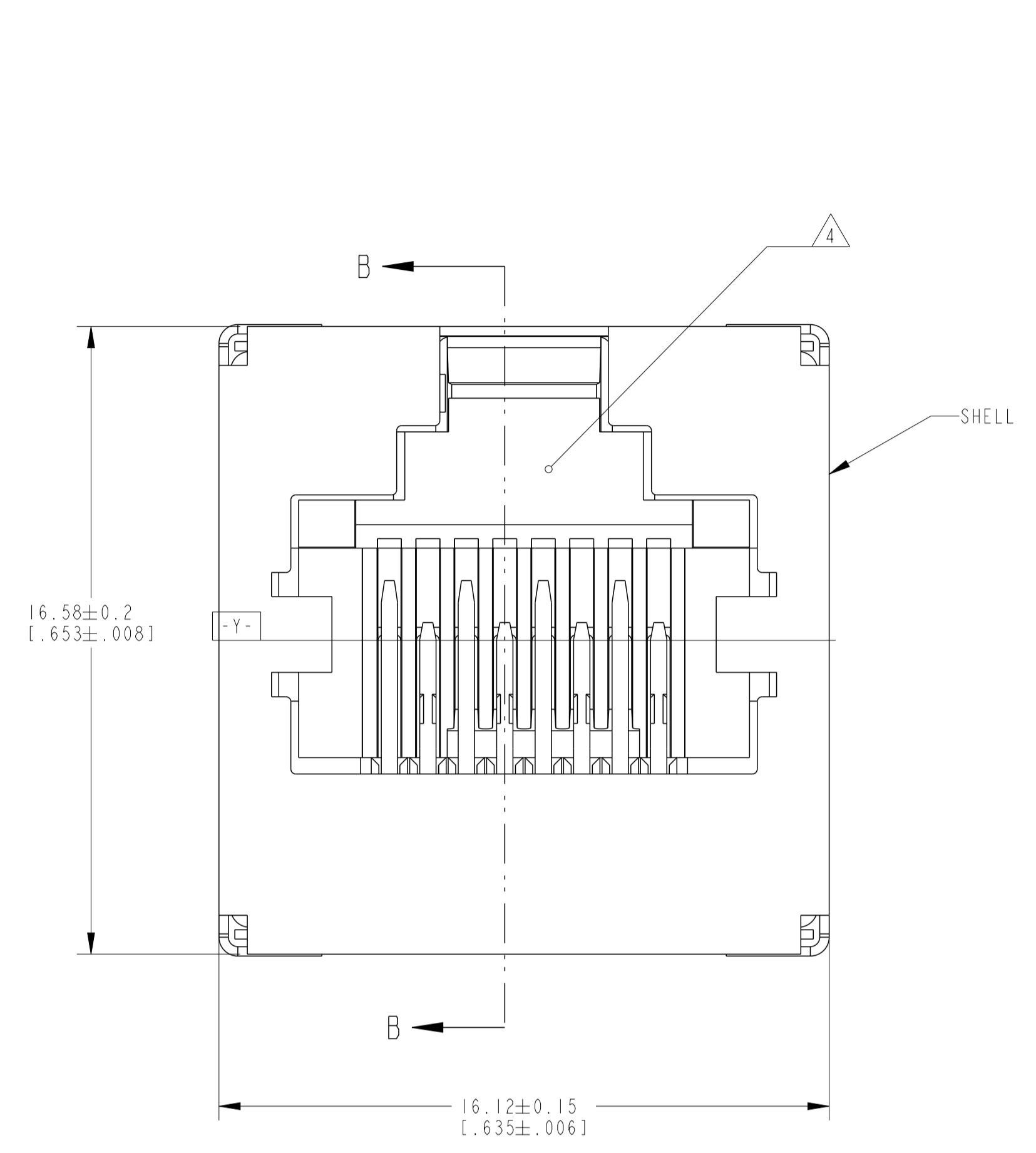
Tel: +86-755-8981 8866 Fax: +86-755-8427 6832

Email & Skype: info@chipsmall.com Web: www.chipsmall.com

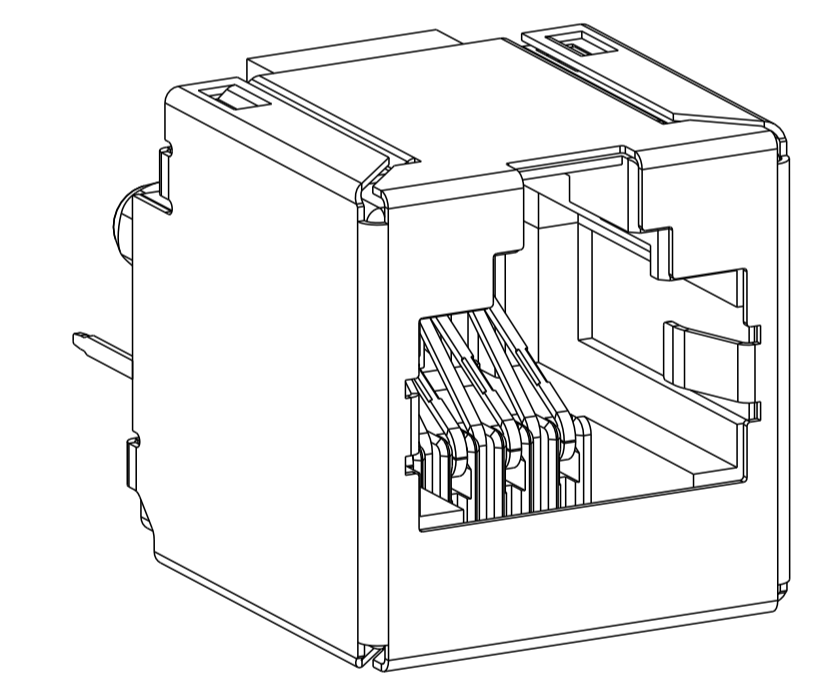
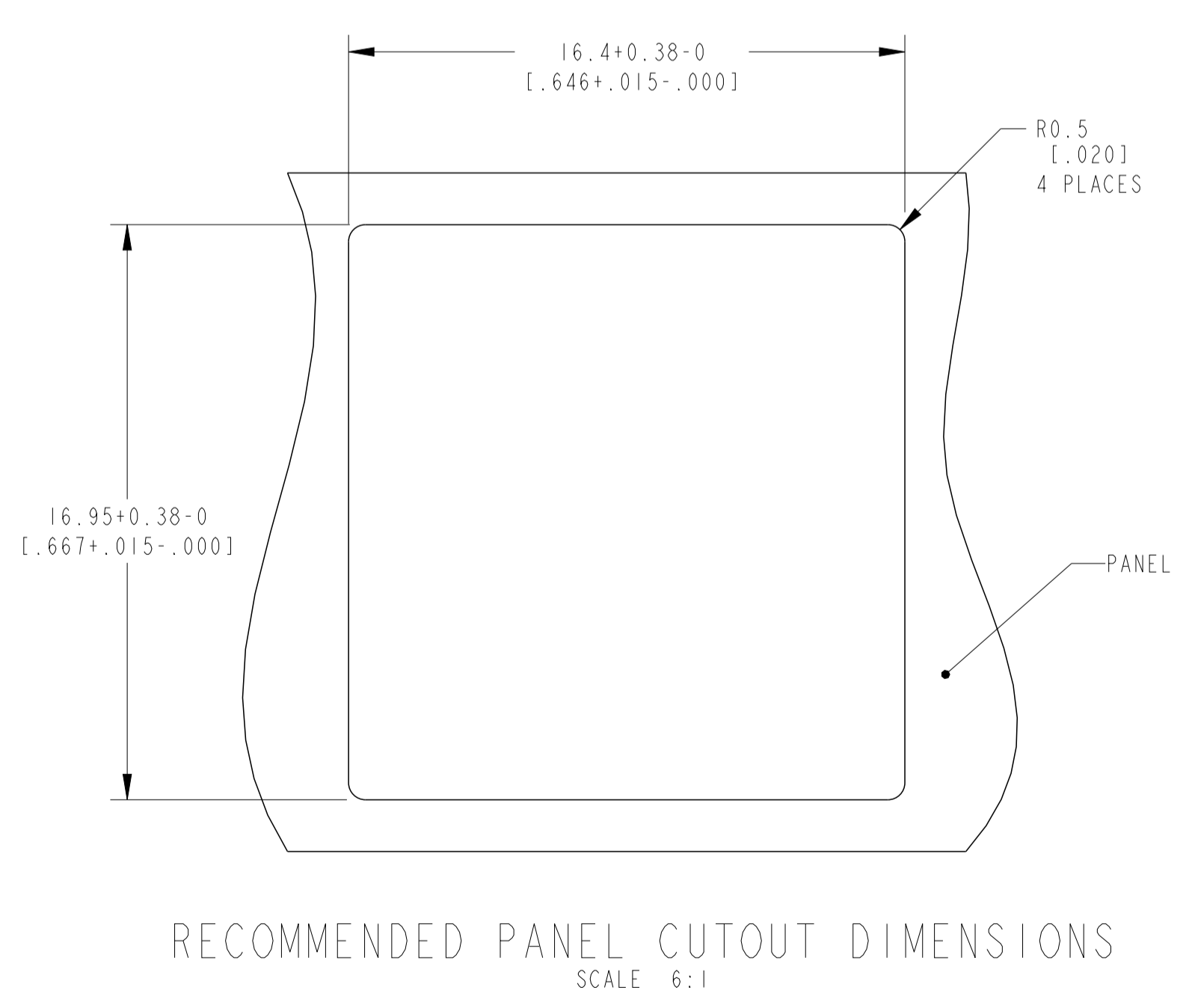
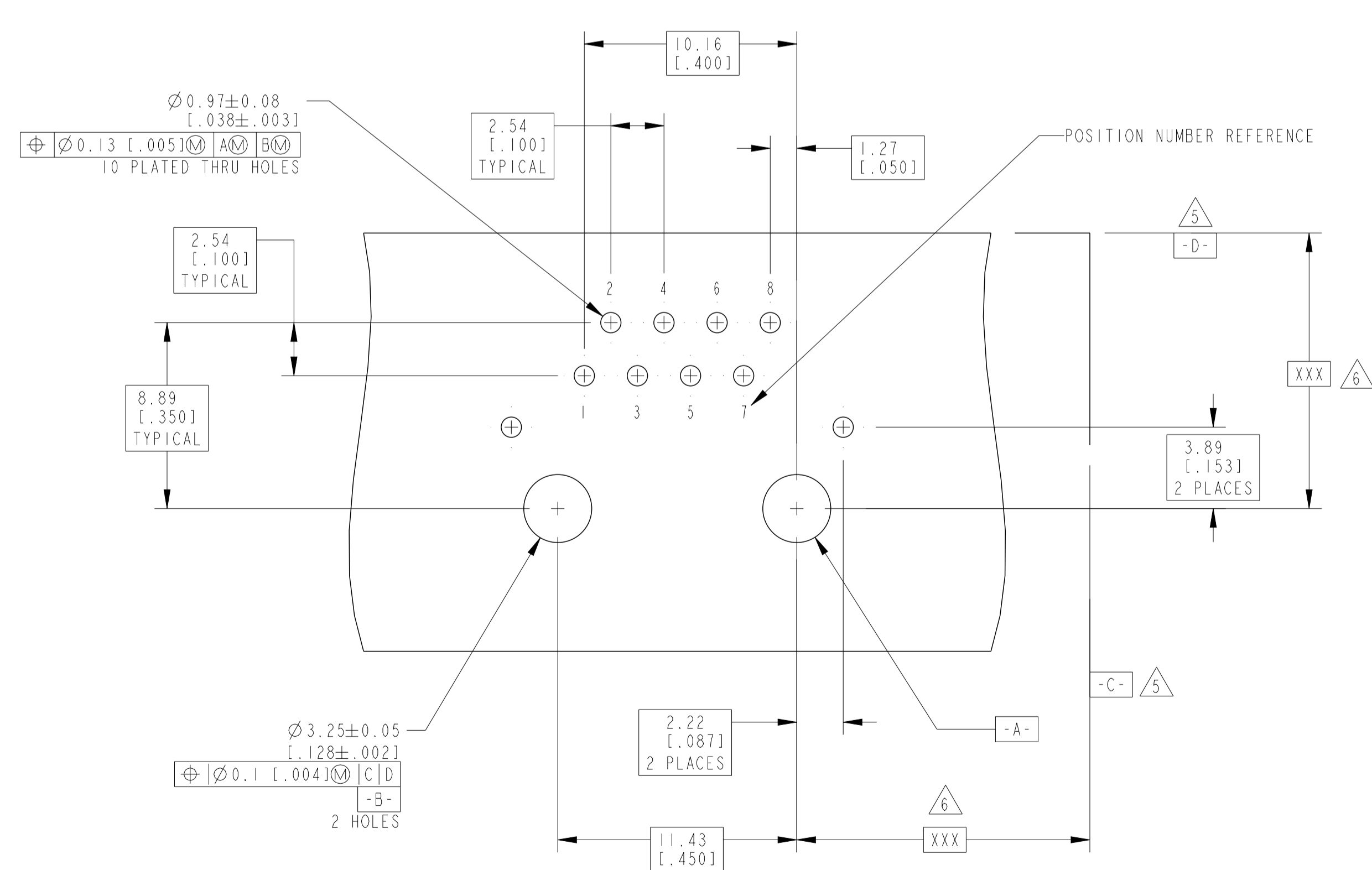
Address: A1208, Overseas Decoration Building, #122 Zhenhua RD., Futian, Shenzhen, China



LOC	DIST	REVISIONS			
P	LTN	DESCRIPTION	DATE	DWN	APVD
C1		ECR-12-006114	11APR2012	JJ	AC



- 1 THERMOPLASTIC, COLOR-BLACK
- 2 PHOSPHOR BRONZE
- 3 1.27µm(.000050) MIN GOLD IN LOCALIZED GOLD PLATE AREA, 2µm(.000079) MIN MATTE TIN ON TERMINATION END, BOTH OVER 1.27µm(.000050) MIN NICKEL
- 4 CAVITY CONFORMS TO FCC 47 CFR 68 PART F
- 5 DATUMS ESTABLISHED BY CUSTOMER
- 6 DIMENSIONS ESTABLISHED BY CUSTOMER
- 7 COPPER ZINC ALLOY
- 8 2.03µm(.000080) MIN BRIGHT TIN OVER 1.27µm(.000050) MIN NICKEL
- 9 WITH IMPROVED CHAFMERS ON TERMINAL EDGES.
- 10 WITHOUT COMPENSATORY PLATE
- 11 LOOSE PIECE PN



RECOMMENDED PRINTED CIRCUIT BOARD LAYOUT
 RECOMMENDED PRINTED CIRCUIT BOARD THICKNESS 1.4(.055) MIN
 COMPONENT SIDE OF PRINTED CIRCUIT BOARD

DESCRIPTION	COLOR	PART NUMBER
9 10 11	NATURAL	6368150-4
9 10	NATURAL	6368150-3
9	NATURAL	6368150-2
NORMAL	BLACK	6368150-1

THIS DRAWING IS A CONTROLLED DOCUMENT.

DIMENSIONS: mm [INCHES]	TOLERANCES UNLESS OTHERWISE SPECIFIED:	DWN: V. SLACK/L. A. MAYER 13JUNE2005	CHK: J. WESTMAN 13JUNE2005	APVD: S. FLICKINGER 13JUNE2005
0 PLC ±.3 [.012]	1 PLC ±0.3 [.012]	PRODUCT SPEC	108-1163-6	APPLICATION SPEC
2 PLC ±.3 [.012]	3 PLC ±.3 [.012]	114-2158	114-2158	114-2158
4 PLC ±.3 [.012]	5 PLC ±.3 [.012]	WEIGHT		
ANGLES		CUSTOMER DRAWING	SCALE 8:1	SHEET 1 OF 1

MATERIAL: HOUSING: 1 FINISH: SHELL: 8 CONTACTS: SHELL: 1 CONTACT: 3

NAME: MODULAR JACK ASSEMBLY, VERTICAL JACK ASSEMBLY, THRU HOLE, SHIELDED, 8 POSITION

SIZE: A1 CAGE CODE: 00779 DRAWING NO: 6368150

REV: C1