



Chipsmall Limited consists of a professional team with an average of over 10 year of expertise in the distribution of electronic components. Based in Hongkong, we have already established firm and mutual-benefit business relationships with customers from,Europe,America and south Asia,supplying obsolete and hard-to-find components to meet their specific needs.

With the principle of “Quality Parts,Customers Priority,Honest Operation,and Considerate Service”,our business mainly focus on the distribution of electronic components. Line cards we deal with include Microchip,ALPS,ROHM,Xilinx,Pulse,ON,Everlight and Freescale. Main products comprise IC,Modules,Potentiometer,IC Socket,Relay,Connector.Our parts cover such applications as commercial,industrial, and automotives areas.

We are looking forward to setting up business relationship with you and hope to provide you with the best service and solution. Let us make a better world for our industry!



Contact us

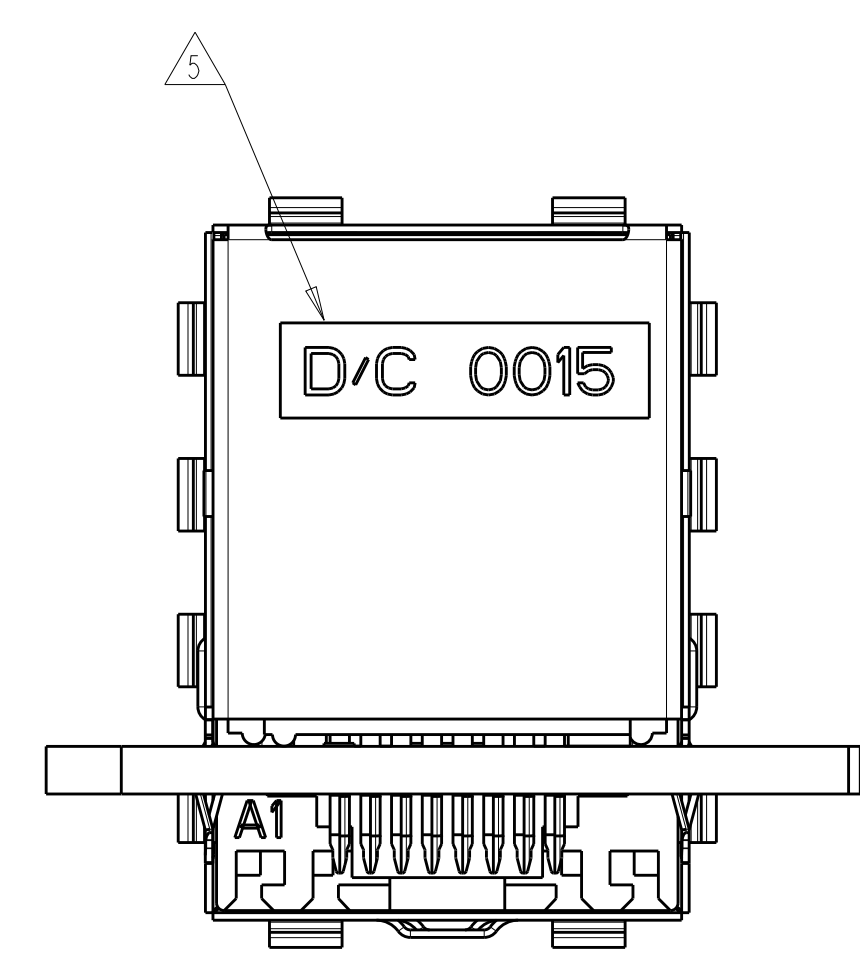
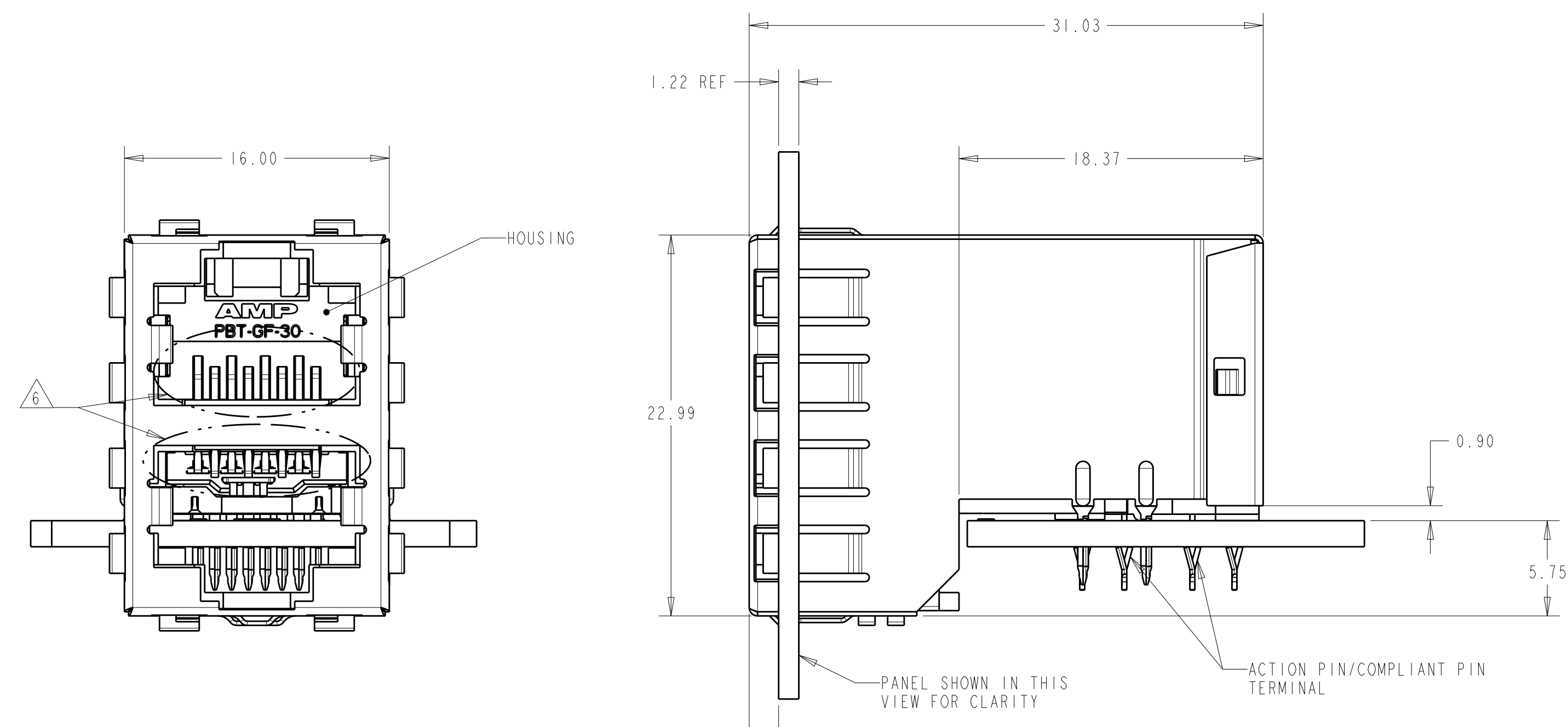
Tel: +86-755-8981 8866 Fax: +86-755-8427 6832

Email & Skype: info@chipsmall.com Web: www.chipsmall.com

Address: A1208, Overseas Decoration Building, #122 Zhenhua RD., Futian, Shenzhen, China

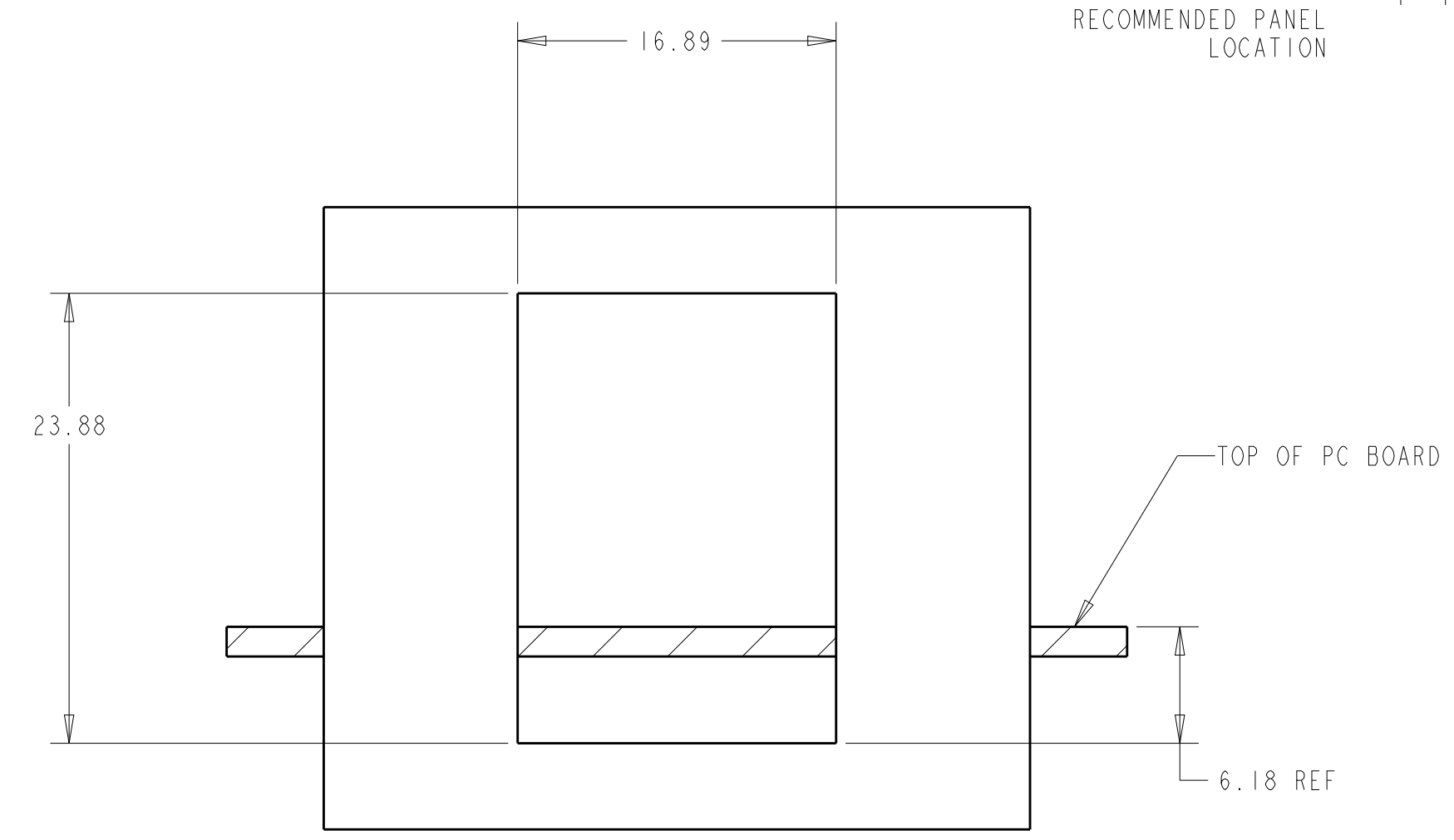


LOC	DIST	REVISIONS					
		P	LTN	DESCRIPTION	DATE	DWN	APVD
AA	00	F1		ECR-12-003298	13FEB2012	JJ	AC
		G		ECO-15-006810	29DEC2015	LL	SH



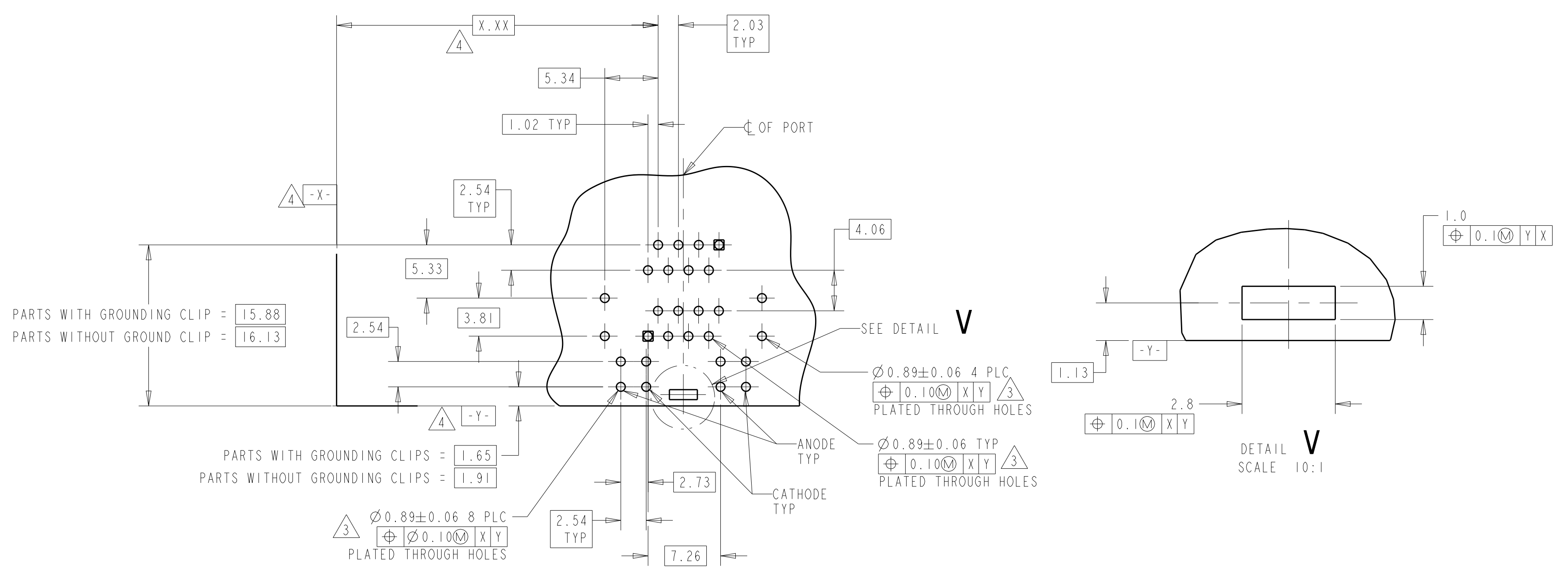
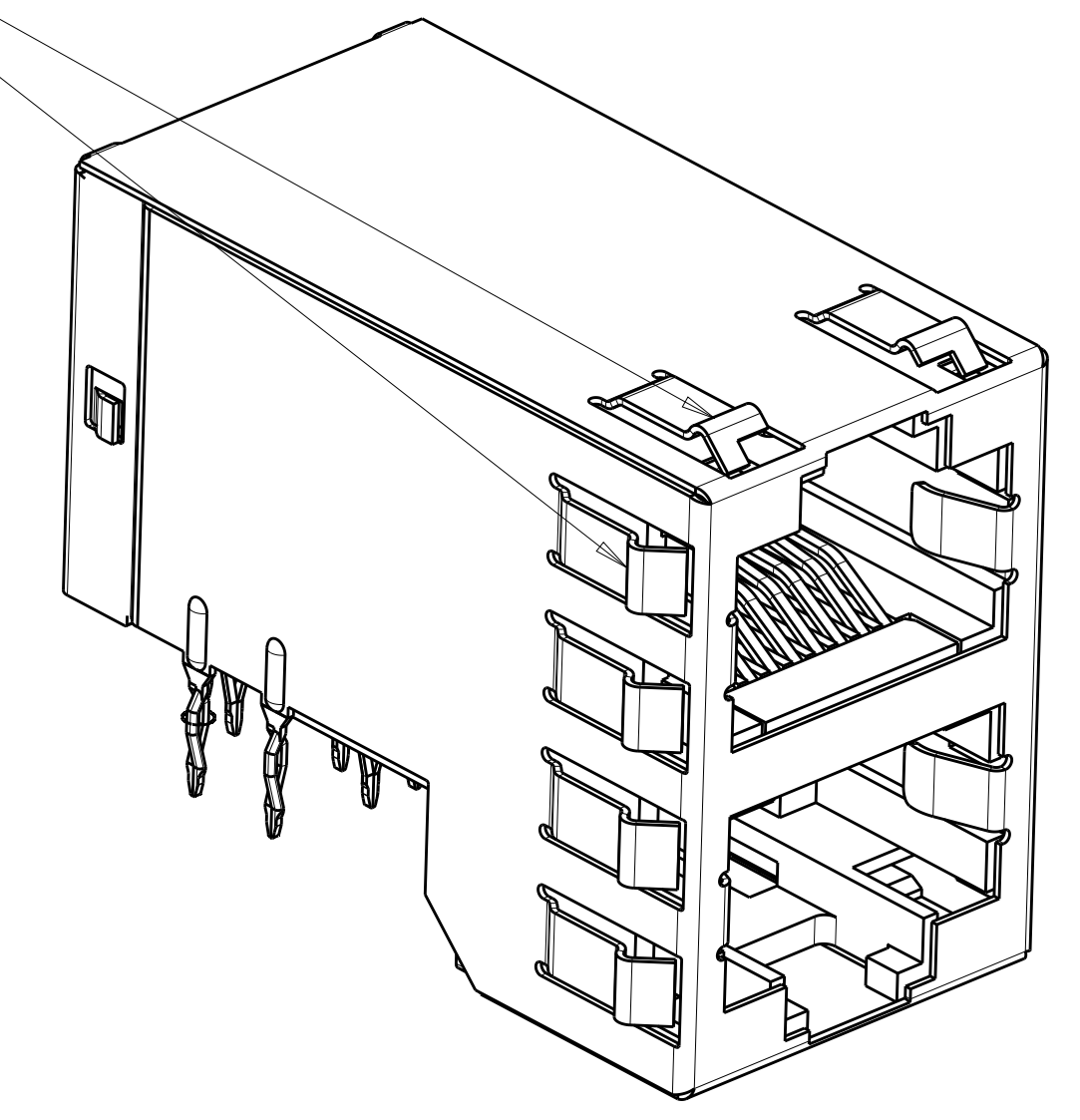
- MATERIAL:
 HOUSING - PBT POLYESTER, BLACK, UL 94V-0
 TERMINALS - 0.33 THICK PHOS BRONZE PLATED WITH 1.27um MINIMUM THICK HARD GOLD IN LOCALIZED AREA AND 2um MINIMUM THICK MATTE TIN IN ACTION PIN COMPLIANT PIN TERMINAL AREA OVER 1.27um MINIMUM THICK NICKEL UNDERPLATE
 SHIELD - 0.25 THICK COPPER ALLOY PLATED WITH 2.03um MINIMUM BRIGHT TIN OVER 1.27um MINIMUM NICKEL
 GROUNDING CLIP - 2.03 um MIN MATTE TIN OVER COPPER, PRE-PLATED COPPER ALLOY
 LED - DIFFUSED EPOXY LENS 2.29 um SILVER OVER NICKEL PRE-PLATED CARBON STEEL LEADS
 ACTION PIN - COMPLIANT PIN CONTACTS 0.3 THICK BRASS PLATED WITH 2um MINIMUM MATTE TIN OVER 1.27um MINIMUM NICKEL UNDERPLAT.
 - JACK CAVITY CONFORMS TO FCC RULES AND REGULATIONS, PART 68 SUBPART F.
- 3 DRILLED HOLE DIA = 1.020±0.025
 COPPER THICKNESS = 0.025±0.075
 TIN-LEAD THICKNESS = .008
- 4 DATUMS AND BASIC DIMENSIONS ESTABLISHED BY CUSTOMER
- 5 DATE CODE LOCATED ON REAR OF PART APPROXIMATELY AS SHOWN
- 6 CONTACTS ARE NOT INTENDED TO BE ALIGNED WITH EACH OTHER
- 7 OBSOLETE PARTS: OBSOLETE CIS STREAMLINING PER D.RENAUD/D.SINISI
- 8 ONLY FOR 6368168-7, -8
 CONTACT AREA LUBRICATED WITH BELLCORE APPROVED LUBRICANT TECHNICAL REFERENCE GR-1217-CORE ISSUE 1, NOVEMBER 1995.

6368168-1 SHOWN SHEET 1



RECOMMENDED PANEL CUT-OUT

SHIELD WITH NO LED CUTOUTS AND STANDARD PANEL GROUNDS



PC BOARD LAYOUT (COMPONENT SIDE)

LED #4	LED #3	LED #2	LED #1	GROUNDING CLIP	SHIELD STYLE	PART NUMBER
N/A	N/A	N/A	N/A	NO	WITHOUT LED PORTS	6368168-8
GREEN	GREEN	GREEN	GREEN	NO	WITH LED PORTS	6368168-7
GREEN	GREEN	YELLOW	YELLOW	YES	WITH LED PORTS	6368168-6
GREEN	GREEN	GREEN	GREEN	YES	WITH LED PORTS	6368168-5
YELLOW	YELLOW	GREEN	GREEN	YES	WITH LED PORTS	6368168-4
N/A	N/A	N/A	N/A	YES	WITHOUT LED PORTS	6368168-2
N/A	N/A	N/A	N/A	NO	WITHOUT LED PORTS	6368168-1

THIS DRAWING IS A CONTROLLED DOCUMENT.

DIMENSIONS: mm

TOLERANCES UNLESS OTHERWISE SPECIFIED:

0 PLC	±
1 PLC	±0.1
2 PLC	±0.13
3 PLC	±0.13
4 PLC	±0.13
ANGLES	±

MATERIAL: SEE NOTE 1

FINISH: SEE NOTE 1

THIS DRAWING IS A CONTROLLED DOCUMENT.

DWN: A. FERNANDEZ 28 JUL 2005

CHK: J. WESTMAN 28 JUL 2005

APVD: S. FLICKINGER 28 JUL 2005

NAME: STACKED MODULAR JACK ASSEMBLY, 2X1, 8 POSITION, SHIELDED PANEL GROUND, OFFSET, CAT 5

PRODUCT SPEC: 108-1854

APPLICATION SPEC: 114-2160

WEIGHT: -

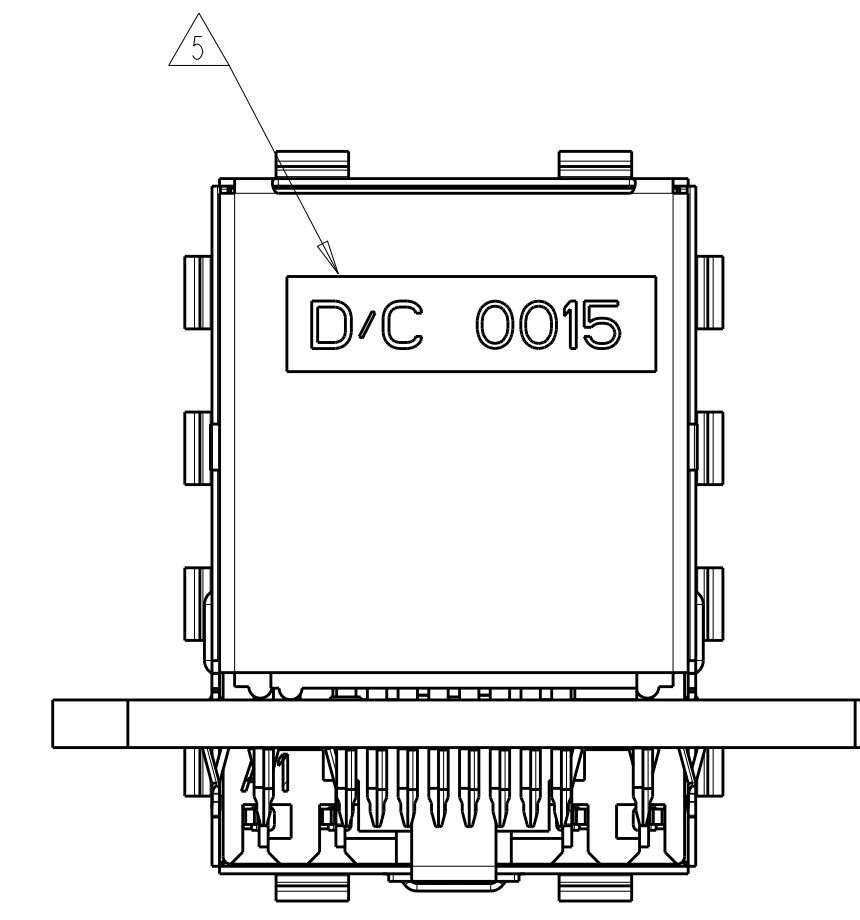
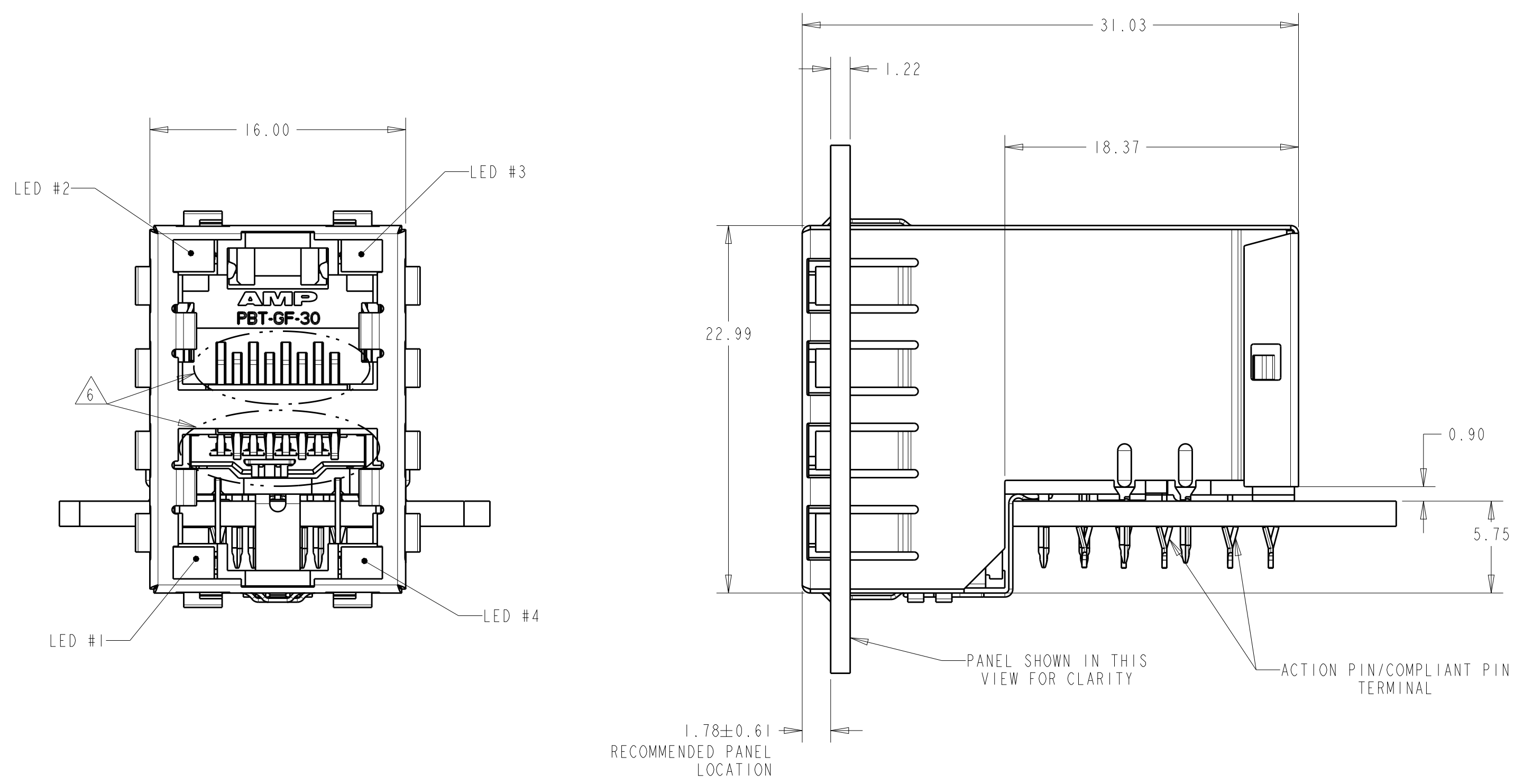
CUSTOMER DRAWING

SCALE: 3:1

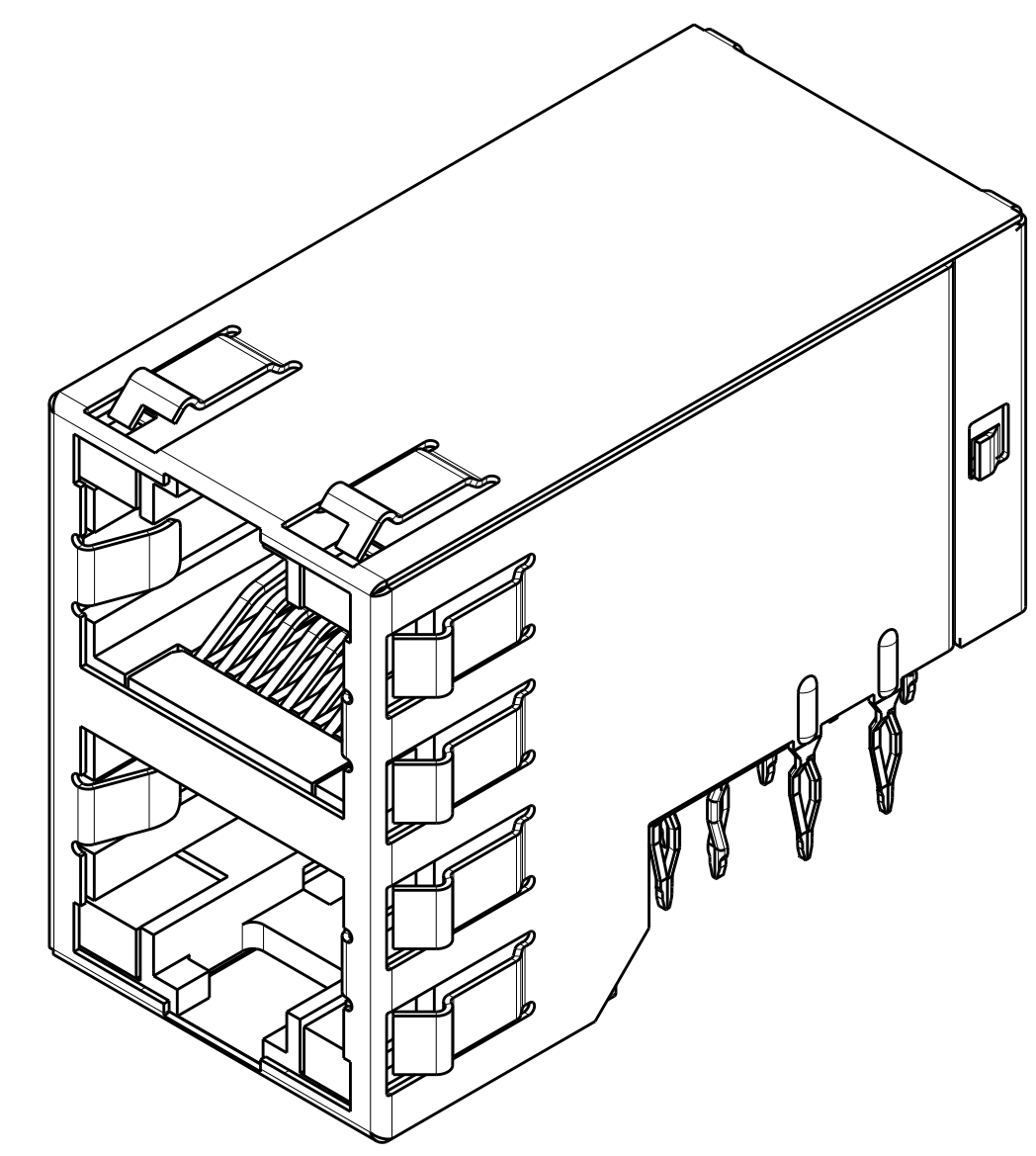
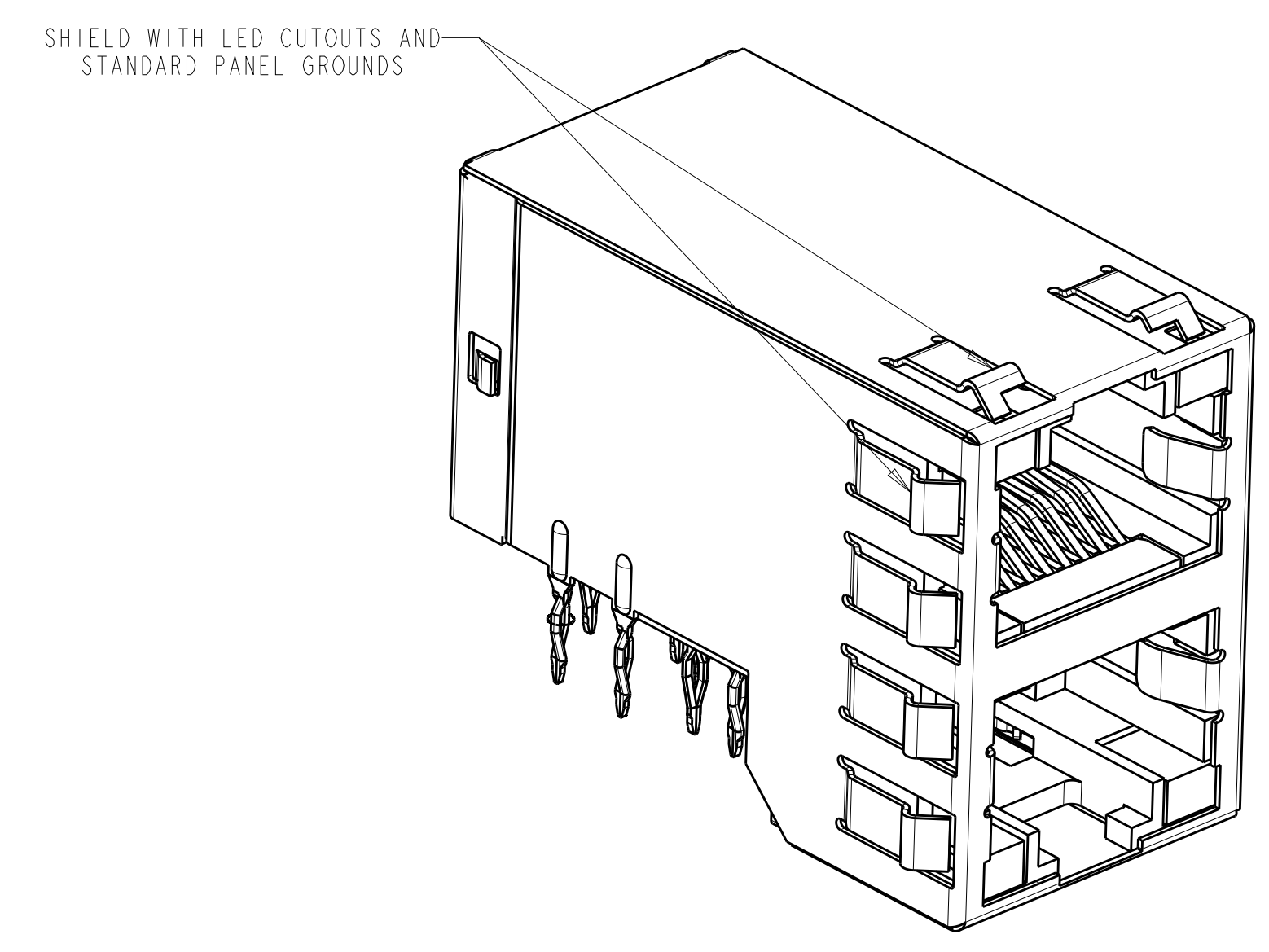
SHEET 1 OF 2

REV G

LOC		DIST		REVISIONS			
AA	00	P	LTN	DESCRIPTION	DATE	OWN	APVD
		-		SEE SHEET 1			



6368168-6 SHOWN SHEET 2



THIS DRAWING IS A CONTROLLED DOCUMENT.		OWN: A. FERNANDEZ-DOCK 28 JUL 2005	
DIMENSIONS: mm		CHK: J. WESTMAN 28 JUL 2005	
TOLERANCES UNLESS OTHERWISE SPECIFIED:		APVD: S. FLICKINGER 28 JUL 2005	NAME: STACKED MODULAR JACK ASSEMBLY, 2X1, 8 POSITION, SHIELDED PANEL GROUND, OFFSET, CAT 5
0 PLC ± 1 PLC ±0.1 2 PLC ±0.13 3 PLC ± 4 PLC ± ANGLES ±		PRODUCT SPEC: 108-1854	
MATERIAL: SEE NOTE 1		FINISH: SEE NOTE 1	SIZE: A1 CAGE CODE: 00779 DRAWING NO: 6368168 CUSTOMER DRAWING
		RESTRICTED TO:	SCALE: 3:1 SHEET 2 OF 2 REV G