



Chipsmall Limited consists of a professional team with an average of over 10 year of expertise in the distribution of electronic components. Based in Hongkong, we have already established firm and mutual-benefit business relationships with customers from,Europe,America and south Asia,supplying obsolete and hard-to-find components to meet their specific needs.

With the principle of "Quality Parts,Customers Priority,Honest Operation,and Considerate Service",our business mainly focus on the distribution of electronic components. Line cards we deal with include Microchip,ALPS,ROHM,Xilinx,Pulse,ON,Everlight and Freescale. Main products comprise IC,Modules,Potentiometer,IC Socket,Relay,Connector.Our parts cover such applications as commercial,industrial, and automotives areas.

We are looking forward to setting up business relationship with you and hope to provide you with the best service and solution. Let us make a better world for our industry!



Contact us

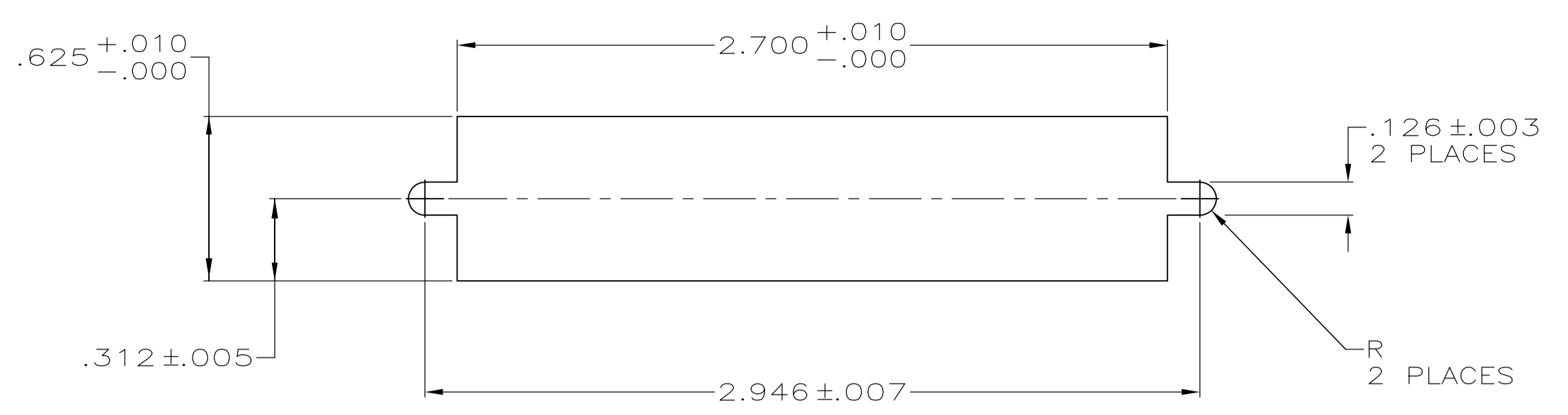
Tel: +86-755-8981 8866 Fax: +86-755-8427 6832

Email & Skype: info@chipsmall.com Web: www.chipsmall.com

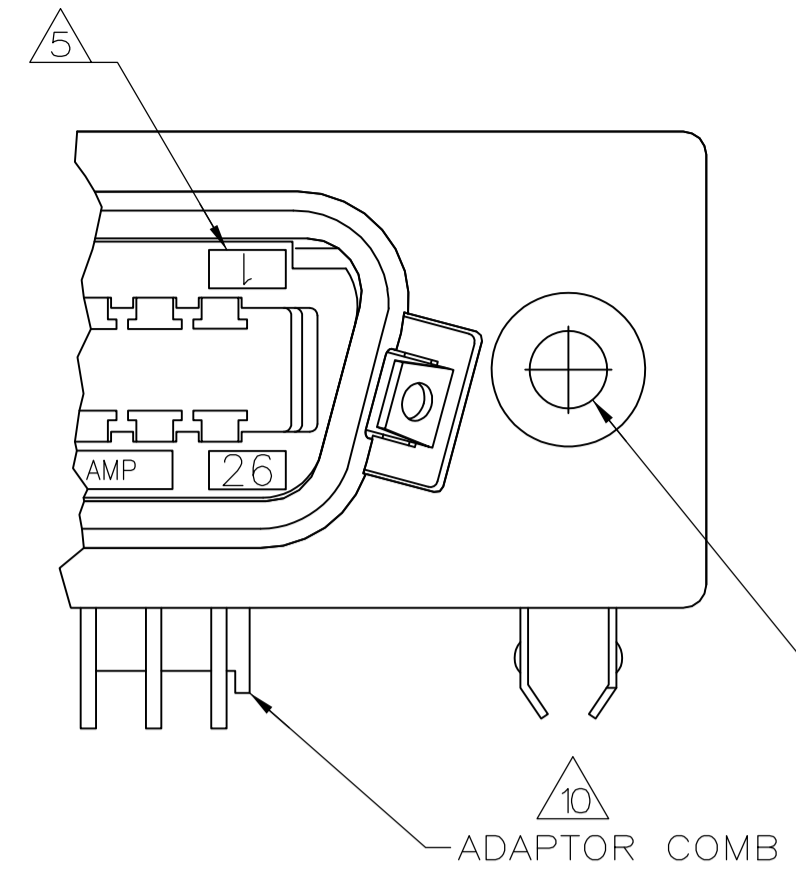
Address: A1208, Overseas Decoration Building, #122 Zhenhua RD., Futian, Shenzhen, China



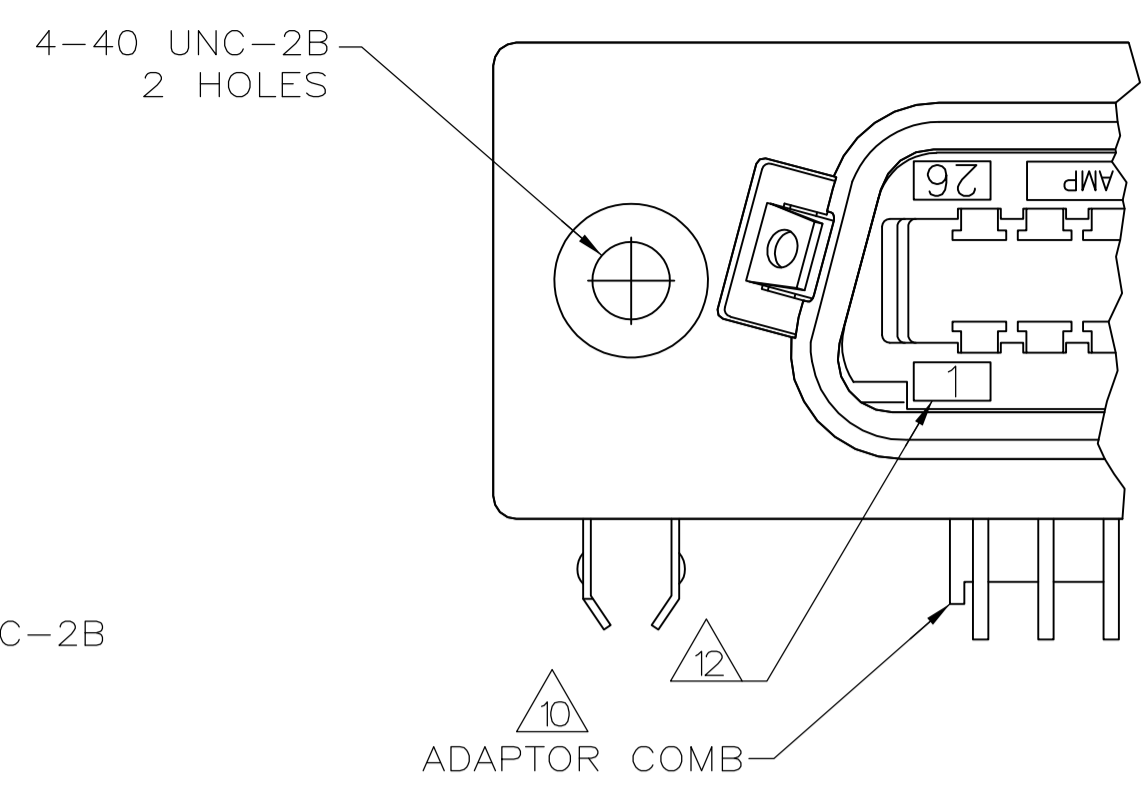
LOC		DIST		REVISIONS			
GP	00	F	LTR	DESCRIPTION	DATE	DMN	APVD
		B		REVISED PER ECO-08-007327	09APR08	BM	WM
		B1		REVISED PER ECO-09-024927	10NOV09	KK	AEG



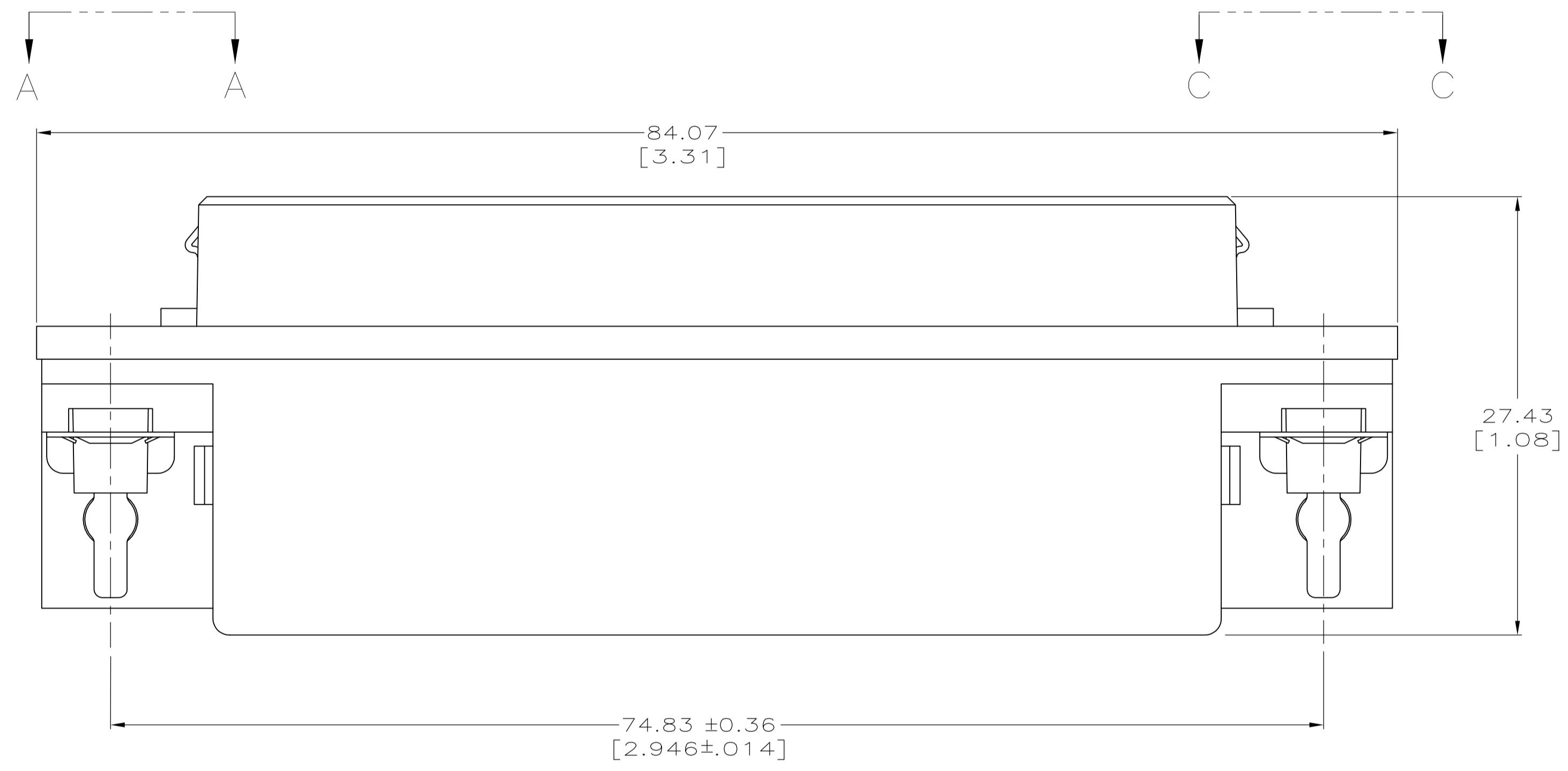
SUGGESTED BRACKET CUTOUT
 MOUNTING DIMENSIONS
 SCALE 2:1



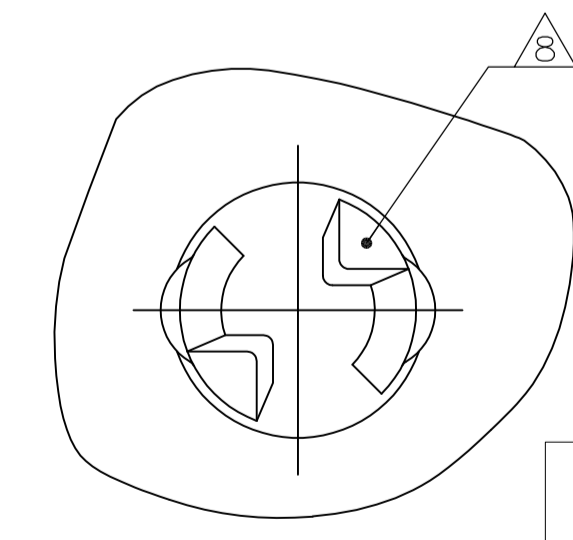
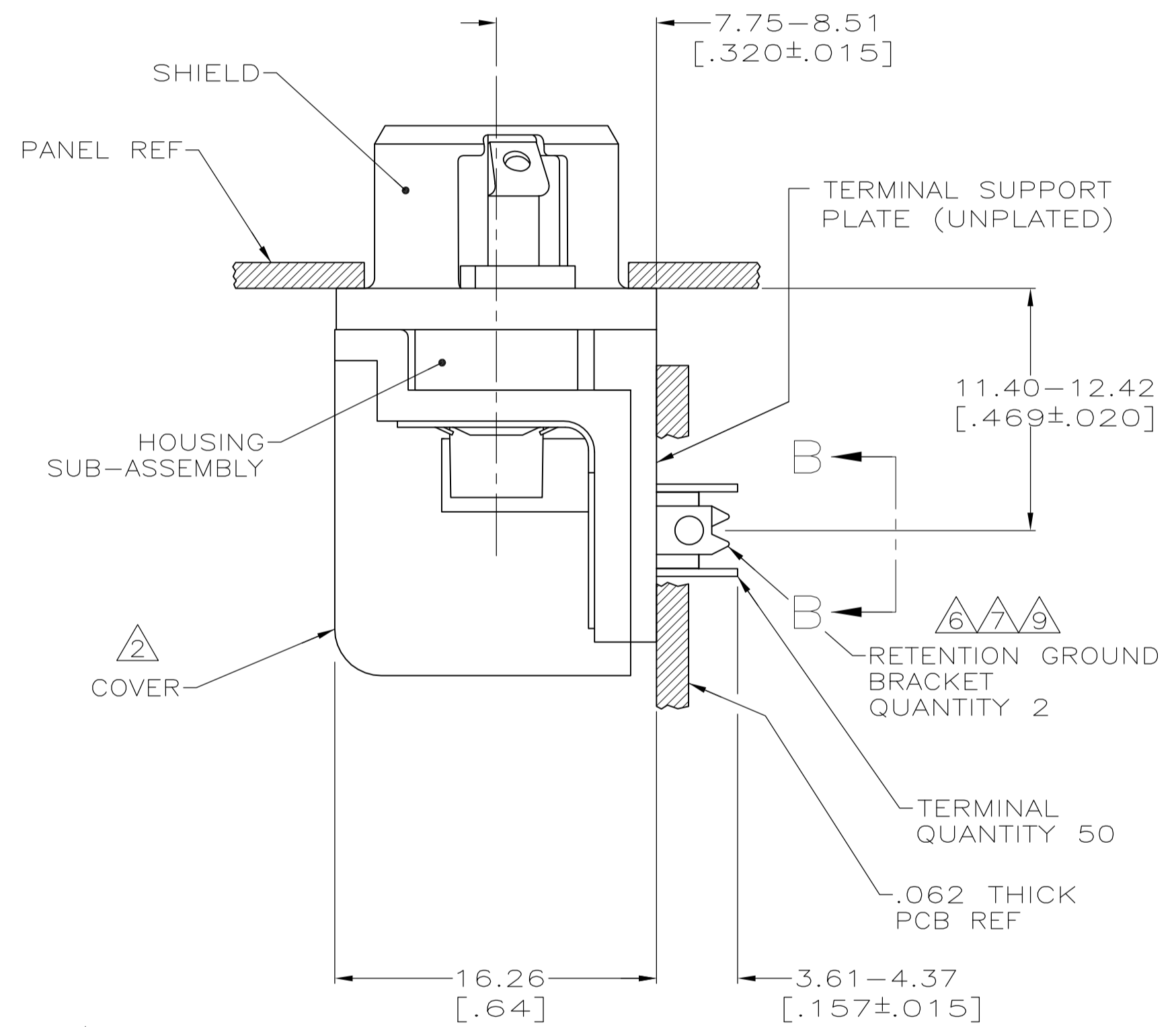
VIEW A-A
 STANDARD ORIENTATION
 ROTATED 180° CCW



VIEW C-C
 REVERSE ORIENTATION
 ROTATED 180° CCW

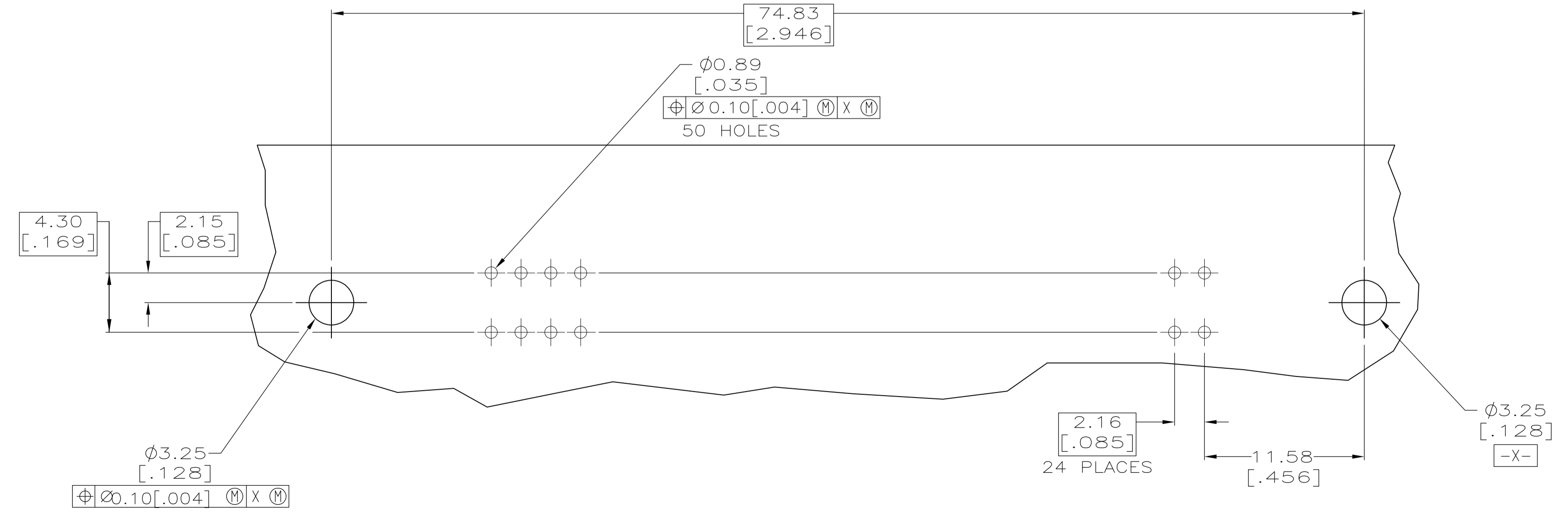


SUGGESTED PRINTED CIRCUIT BOARD
 MOUNTING DIMENSIONS



VIEW B-B
 SCALE 8:1

- 1 MATERIAL:
 HOUSING & ADAPTER COMB - POLYESTER, BLACK.
 SUPPORT PLATE - POLYESTER, NATURAL (OR EQUIVALENT).
 SHIELD - BRIGHT NICKEL OVER COPPER PLATED ZINC.
 RETENTION GROUND BRACKET - TIN PLATED CARBON STEEL.
 TERMINALS - HIGH STRENGTH COPPER ALLOY PLATED WITH EITHER 0.76µm [.000030] MIN GOLD PLATE OR GOLD FLASH OVER PALLADIUM NICKEL PLATE, 0.76µm [.000030] MIN TOTAL ON MATING SURFACE. 3.05µm [.000120] MIN TIN PLATE ON TAILS. ALL OVER 1.27µm [.000050] MIN NICKEL UNDERPLATE OVER ENTIRE TERMINAL.
- 2 COVER - POLYESTER, NATURAL, (OR EQUIVALENT), PLATED MATTE COPPER 3.81µm [.000150] MINIMUM THICK, BENEATH MATTE NICKEL PLATE, 3.81µm [.000150] MINIMUM THICK.
- 3. CENTER-TO-CENTER SPACING OF TERMINALS IS 2.16 [.085] NOMINAL.
- 4 ALL DIMENSIONS SHOWN ARE MAXIMUM UNLESS OTHERWISE SPECIFIED.
- 5 TERMINAL 1 LOCATED THIS ROW FOR STANDARD ORIENTATION, SEE VIEW A-A.
- 6 GROUNDING BRACKET RETAINS CONNECTOR IN 1.57 [.062] THICK PC BOARD WITHOUT ADDITIONAL HARDWARE.
- 7 GROUNDING BRACKET LOCATES CONNECTOR FLUSH WITH TOP OF PC BOARD AND SPRING LOCKS BENEATH.
- 8 CYLINDRICAL SHAPE OFFERS 180° OF SOLDERING SURFACE.
- 9 SURFACE AREA OF BOARDLOCK GROUNDING BRACKET BELOW PC BOARD SHALL PASS SOLDERABILITY REQUIREMENTS IN ACCORDANCE WITH TYCO ELECTRONICS SPEC 109-11-2. DISCOLORATION, SCRATCHES, SPOTS AND OTHER COSMETIC DEFICIENCIES TYPICAL OF BARREL PLATING PROCESSES ARE ACCEPTABLE PROVIDING PARTS PASS 24 HOUR EXPOSURE AT 95% RH AT 40°C WITHOUT EVIDENCE OF CORROSION.
- 10 IF TERMINALS DO NOT EXTEND BELOW COMB, COMB SHALL BE PARTIALLY RETRACTED BEFORE INSERTING CONNECTOR INTO PC BOARD.
- 11. THE CONTACT SURFACES OF THE TERMINALS ARE COATED WITH LUBRICANT.
- 12 TERMINAL 1 LOCATED THIS ROW FOR REVERSE ORIENTATION, SEE VIEW C-C.
- 13 OBSOLETE PARTS: OBSOLETE CIS STREAMLINING PER D.RENAUD/D.SINISI



REV	DESCRIPTION	DATE	BY	CHKD	APPD	PART NUMBER
13	REVERSE, VIEW C-C	01SEP05	W. MILLHIMES	W. MILLHIMES	W. MILLHIMES	6368355-6
	STANDARD, VIEW A-A	01SEP05	W. MILLHIMES	W. MILLHIMES	W. MILLHIMES	6368355-5
	REVERSE, VIEW C-C	01SEP05	W. MILLHIMES	W. MILLHIMES	W. MILLHIMES	6368355-4
	STANDARD, VIEW A-A	01SEP05	W. MILLHIMES	W. MILLHIMES	W. MILLHIMES	6368355-3
	REVERSE, VIEW C-C	01SEP05	W. MILLHIMES	W. MILLHIMES	W. MILLHIMES	6368355-2
	STANDARD, VIEW A-A	01SEP05	W. MILLHIMES	W. MILLHIMES	W. MILLHIMES	6368355-1

THIS DRAWING IS A CONTROLLED DOCUMENT.

DIMENSIONS: mm (INCHES)	TOLERANCES UNLESS OTHERWISE SPECIFIED:	0 PLC ± .005	1 PLC ± .004	2 PLC ± .003	3 PLC ± .002	4 PLC ± .001	ANGLES ± .1
-------------------------	--	--------------	--------------	--------------	--------------	--------------	-------------

MATERIAL: 1 2 FINISH: 1 2

THIS DRAWING IS A CONTROLLED DOCUMENT. DYN B. MCMASTER 01SEP05 CJK W. MILLHIMES 01SEP05 APVD W. MILLHIMES 01SEP05 Tyco Electronics Corporation Harrisburg, PA 17105-3608

RECEPTACLE ASSEMBLY, 50 POSITION, SHIELDED, RIGHT ANGLE, BOARD LOCK, INTEGRAL LOCKING LATCH, CHAMP

SIZE: A1 CAGE CODE: 00779 DRAWING NO: 6368355 WEIGHT: 1.0000

CUSTOMER DRAWING SCALE: 4:1 SHEET: 1 OF 1 REV: B1