



Chipsmall Limited consists of a professional team with an average of over 10 year of expertise in the distribution of electronic components. Based in Hongkong, we have already established firm and mutual-benefit business relationships with customers from,Europe,America and south Asia,supplying obsolete and hard-to-find components to meet their specific needs.

With the principle of “Quality Parts,Customers Priority,Honest Operation,and Considerate Service”,our business mainly focus on the distribution of electronic components. Line cards we deal with include Microchip,ALPS,ROHM,Xilinx,Pulse,ON,Everlight and Freescale. Main products comprise IC,Modules,Potentiometer,IC Socket,Relay,Connector.Our parts cover such applications as commercial,industrial, and automotives areas.

We are looking forward to setting up business relationship with you and hope to provide you with the best service and solution. Let us make a better world for our industry!



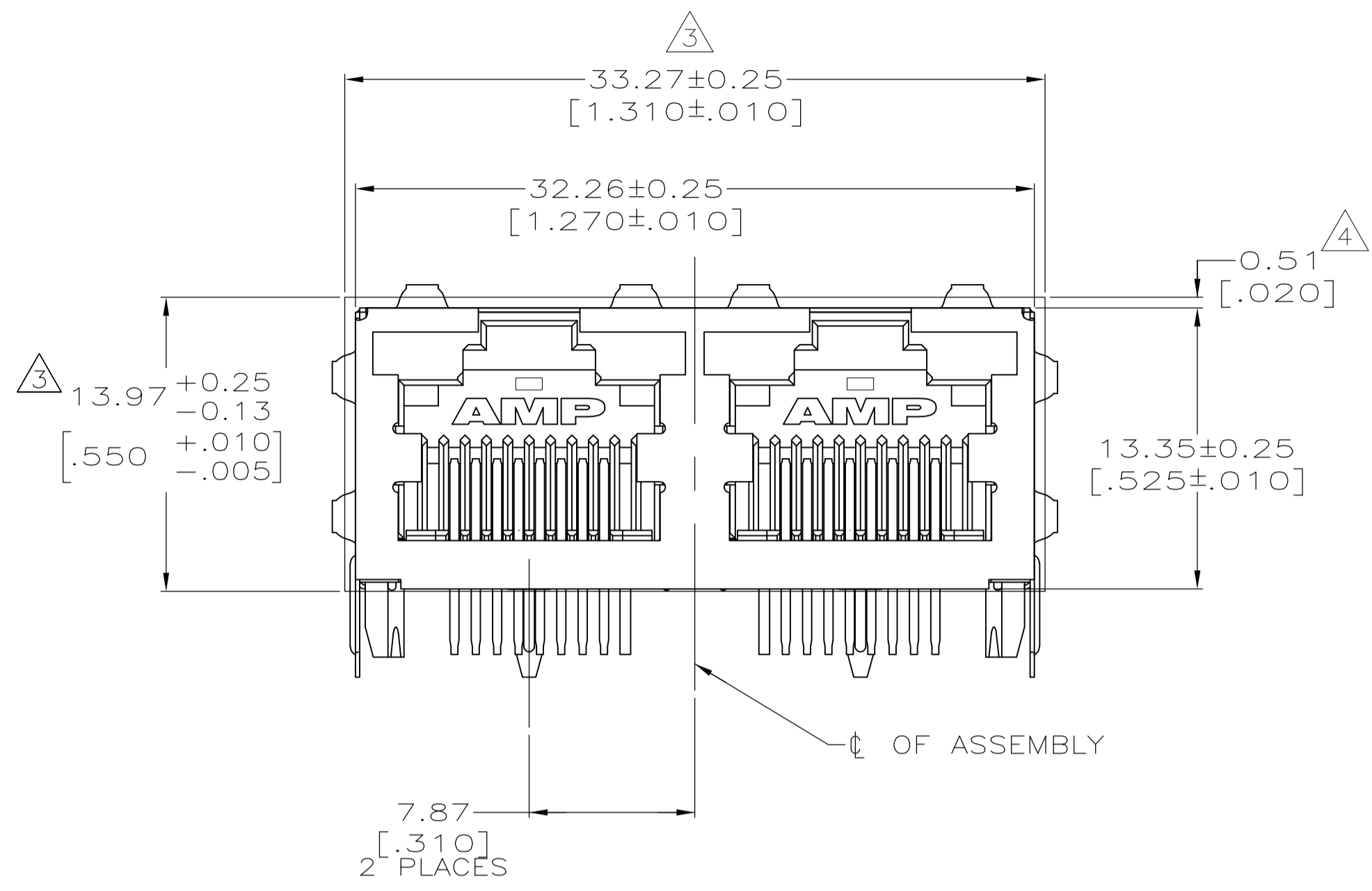
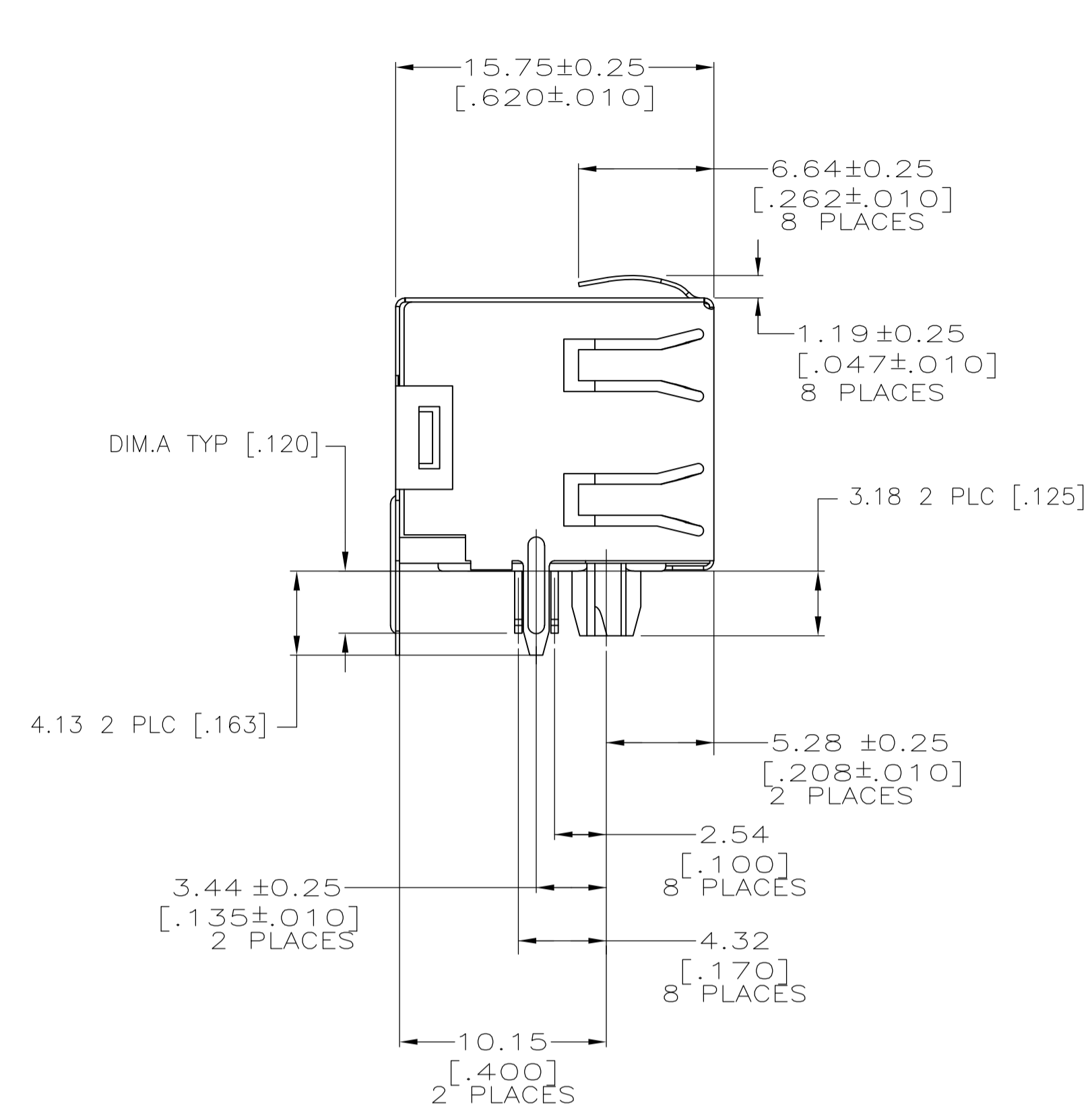
Contact us

Tel: +86-755-8981 8866 Fax: +86-755-8427 6832

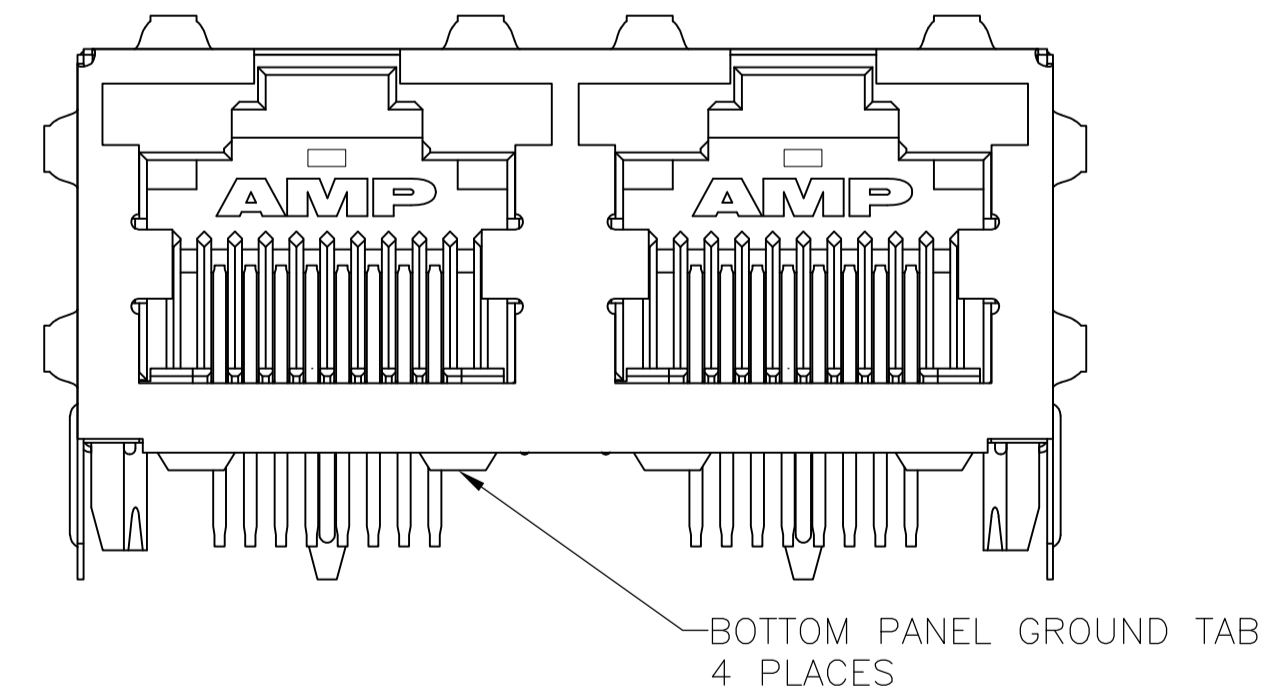
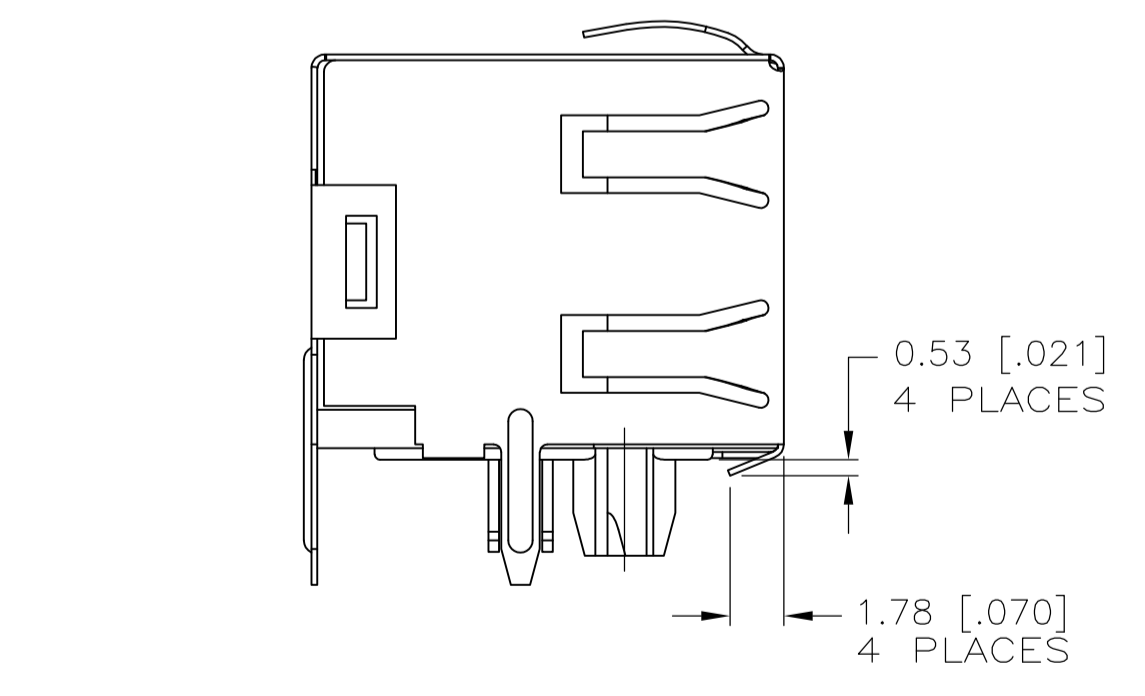
Email & Skype: info@chipsmall.com Web: www.chipsmall.com

Address: A1208, Overseas Decoration Building, #122 Zhenhua RD., Futian, Shenzhen, China

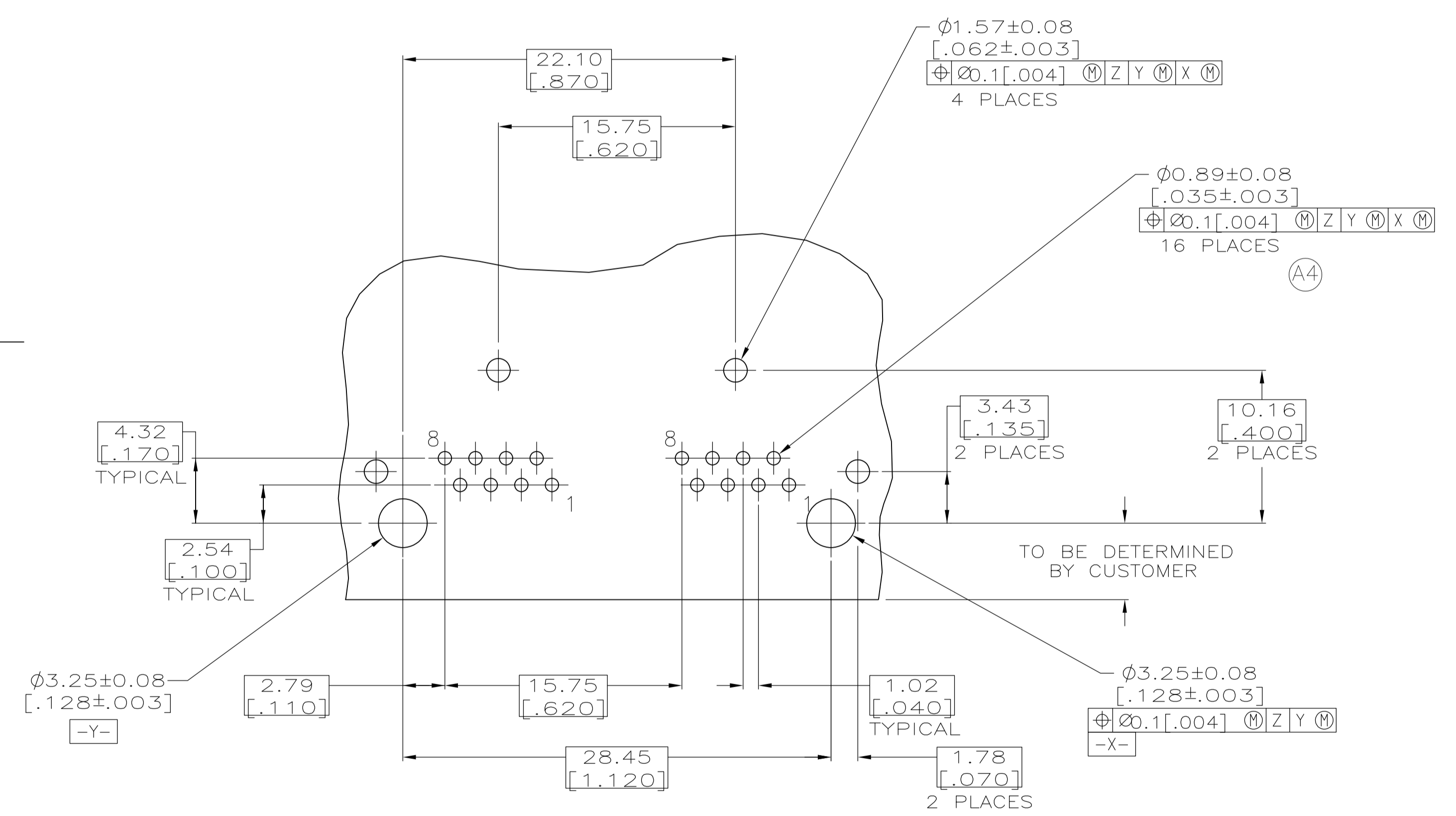




- MATERIAL: HOUSING - HIGH TEMPERATURE THERMOPLASTIC, BLACK, UL94V-0; TERMINALS - 0.36[.014] THICK PHOS BRONZE PLATED WITH 3.81µm[.000150] MINIMUM THICK MATTE TIN IN SOLDER AREA. 1.27 µm [.000050] MINIMUM GOLD IN LOCALIZED PLATE AREA. ENTIRE TERMINAL PLATED WITH 1.27 µm [.000050] MINIMUM THICK NICKEL. SHIELD - 0.196[.0077] THICK COPPER ZINC ALLOY PREPLATED WITH 1.27 µm [.000050] MINIMUM SATIN NICKEL WITH 2.03 µm [.000080] MINIMUM TIN POST DIPPED ON PCB GROUND TABS.
 - JACK CAVITY CONFORMS TO FCC RULES AND REGULATIONS PART 68, SUBPART F.
- ⚠ SUGGESTED PANEL OPENING DIMENSIONS.
 ⚠ SUGGESTED CLEARANCE BETWEEN TOP OF CONNECTOR AND TOP PANEL OPENING.
 ⚠ THE PART IS PRELIMINARY.



PN 6368459-4
 SAME AS PN 6368459-3
 EXCEPT AS SHOWN WITH BOTTOM GROUND PANEL TAB



SUGGESTED PRINTED CIRCUIT BOARD LAYOUT
 (COMPONENT SIDE)

W BOTTOM PANEL GROUND TAB	3.68 [.145]	6368459-4
W/O BOTTOM PANEL GROUND TAB	3.68 [.145]	6368459-3
W/O BOTTOM PANEL GROUND TAB	3.05 [.120]	6368459-1
PANELL GROUND TAB	DIM. A	PART NUMBER

THIS DRAWING IS A CONTROLLED DOCUMENT.		DIN D.L.MAYER 17APR2005		Tyco Electronics Corporation	
DIMENSIONS: mm		CHK J.WESTMAN 17APR2005		Harrisburg, Pa 17105-3608	
TOLERANCES UNLESS OTHERWISE SPECIFIED:		APVD S.FLICKINGER 17APR2005		NAME	
0 PLC ± -		PRODUCT SPEC		INVERTED MODULAR JACK ASSEMBLY, 1X2, SHIELDED, PANEL GROUND	
1 PLC ± -		APPLICATION SPEC		SIZE	
2 PLC ± 0.25[.01]		114-2154		CAGE CODE	
3 PLC ± 0.13[.005]		108-1163-4		DRAWING NO	
4 PLC ± -		114-2154		RESTRICTED TO	
ANGLES ± -		114-2154		WEIGHT	
MATERIAL SEE NOTE 1		FINISH SEE NOTE 1		A1 00779 C=6368459	
		CUSTOMER DRAWING		SCALE 4:1 SHEET 1 OF 1 REV A4	