



Chipsmall Limited consists of a professional team with an average of over 10 year of expertise in the distribution of electronic components. Based in Hongkong, we have already established firm and mutual-benefit business relationships with customers from,Europe,America and south Asia,supplying obsolete and hard-to-find components to meet their specific needs.

With the principle of "Quality Parts,Customers Priority,Honest Operation,and Considerate Service",our business mainly focus on the distribution of electronic components. Line cards we deal with include Microchip,ALPS,ROHM,Xilinx,Pulse,ON,Everlight and Freescale. Main products comprise IC,Modules,Potentiometer,IC Socket,Relay,Connector.Our parts cover such applications as commercial,industrial, and automotives areas.

We are looking forward to setting up business relationship with you and hope to provide you with the best service and solution. Let us make a better world for our industry!



Contact us

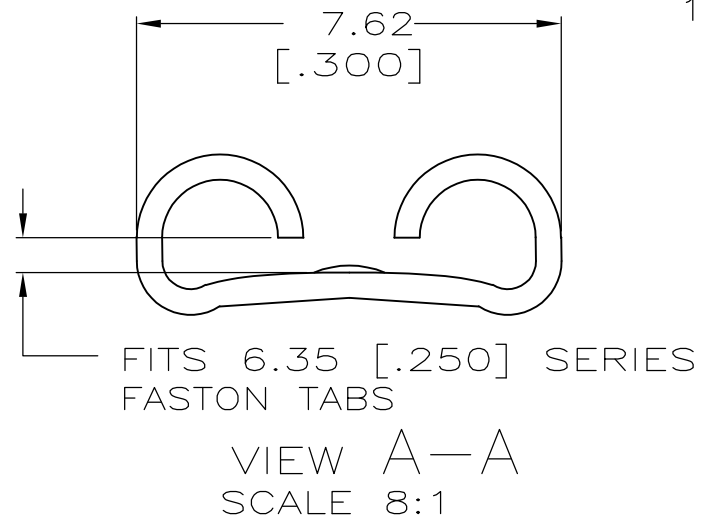
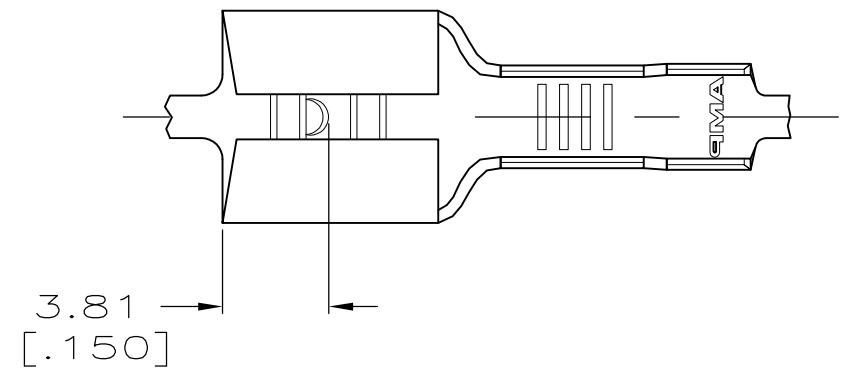
Tel: +86-755-8981 8866 Fax: +86-755-8427 6832

Email & Skype: info@chipsmall.com Web: www.chipsmall.com

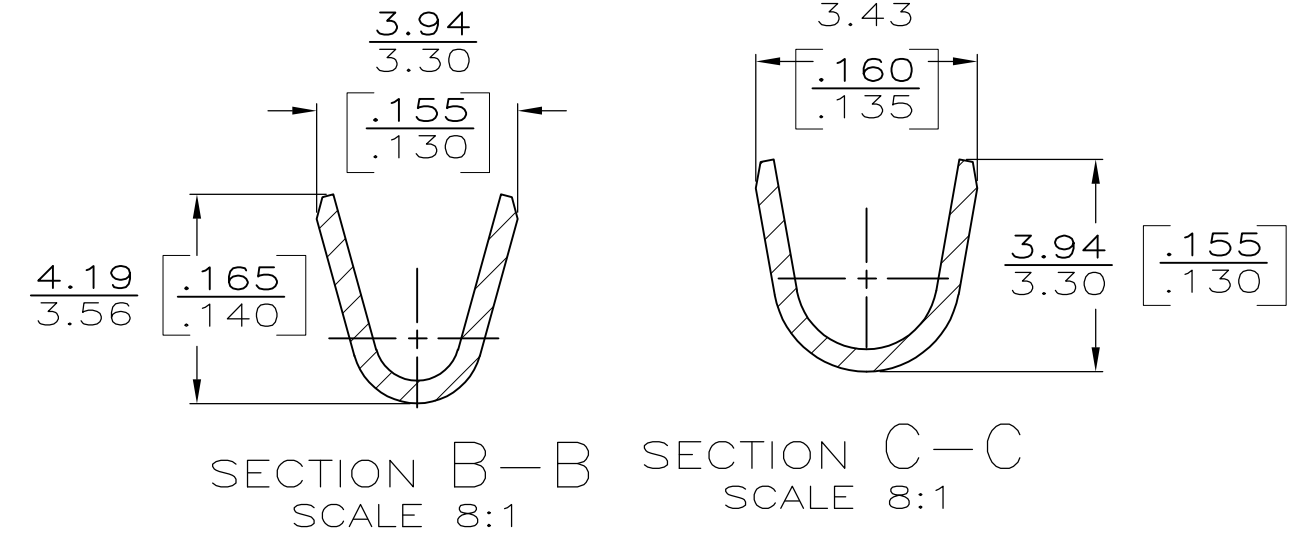
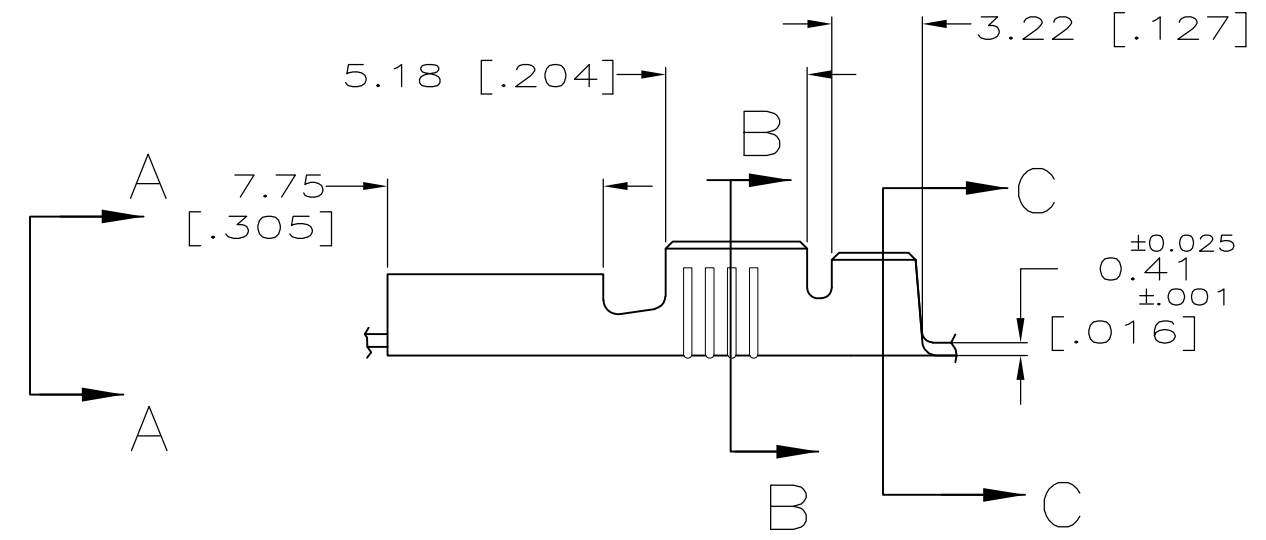
Address: A1208, Overseas Decoration Building, #122 Zhenhua RD., Futian, Shenzhen, China



LOC		DIST		REVISIONS					
AF		50		P	LTR	DESCRIPTION	DATE	DWN	APVD
					C1	REVISED PER ECO-11-004917	11MAR11	RK	HMR



1 CONTINUOUS STRIP ON REELS.



1.52-2.79 DIA [.060-.110] DIA	0.8-2.0mm ² [18-14] AWG	0.81 [.032]	63688-1
INSULATION RANGE	WIRE SIZE	MATING TAB THK ±0.025 [.001]	PART NO

THIS DRAWING IS A CONTROLLED DOCUMENT.		DWN JR RUTH 4/26/93	TE Connectivity					
DIMENSIONS: MM[INCHES]		CHK MS FEHER 4/26/93						
		APVD P DESANTIS 4/26/93						
TOLERANCES UNLESS OTHERWISE SPECIFIED:		PRODUCT SPEC	NAME RECEPTACLE, FASTON, 6.35 [.250] SERIES					
0 PLC ± - 1 PLC ± - 2 PLC ± 0.25 [.010] 3 PLC ± - 4 PLC ± - ANGLES ± -		APPLICATION SPEC 114-2036	SIZE A3	CAGE CODE 00779	DRAWING NO C-63688	RESTRICTED TO -		
MATERIAL TEMPER 2 STEEL		FINISH NICKEL 0.00381 [.000150] MIN	WEIGHT -		CUSTOMER DRAWING	SCALE 4:1	SHEET 1 OF 1	REV C1