



Chipsmall Limited consists of a professional team with an average of over 10 year of expertise in the distribution of electronic components. Based in Hongkong, we have already established firm and mutual-benefit business relationships with customers from,Europe,America and south Asia,supplying obsolete and hard-to-find components to meet their specific needs.

With the principle of “Quality Parts,Customers Priority,Honest Operation,and Considerate Service”,our business mainly focus on the distribution of electronic components. Line cards we deal with include Microchip,ALPS,ROHM,Xilinx,Pulse,ON,Everlight and Freescale. Main products comprise IC,Modules,Potentiometer,IC Socket,Relay,Connector.Our parts cover such applications as commercial,industrial, and automotives areas.

We are looking forward to setting up business relationship with you and hope to provide you with the best service and solution. Let us make a better world for our industry!



Contact us

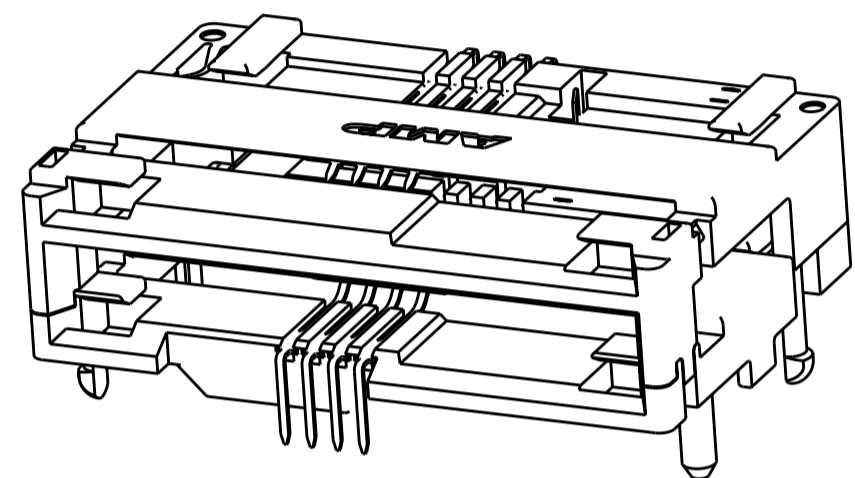
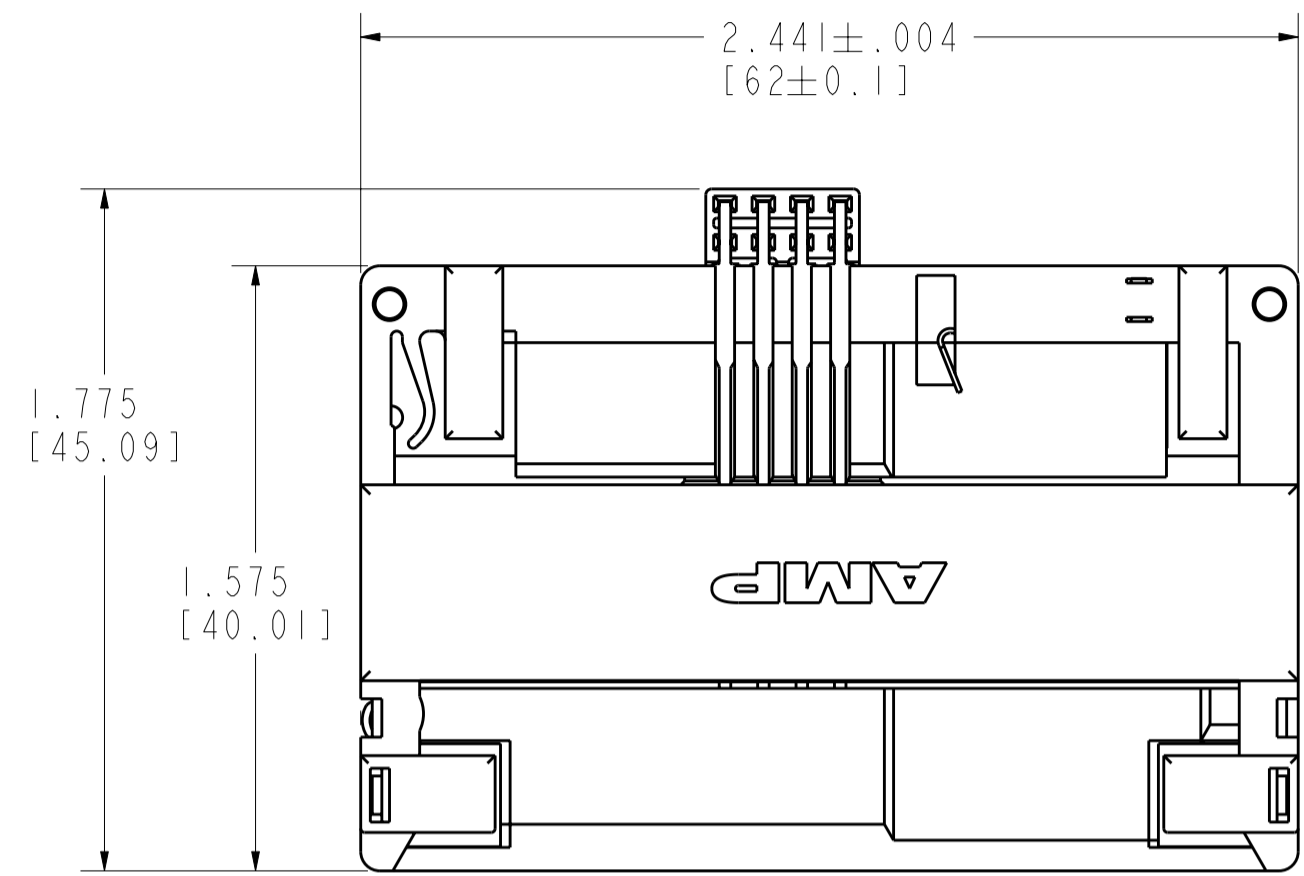
Tel: +86-755-8981 8866 Fax: +86-755-8427 6832

Email & Skype: info@chipsmall.com Web: www.chipsmall.com

Address: A1208, Overseas Decoration Building, #122 Zhenhua RD., Futian, Shenzhen, China

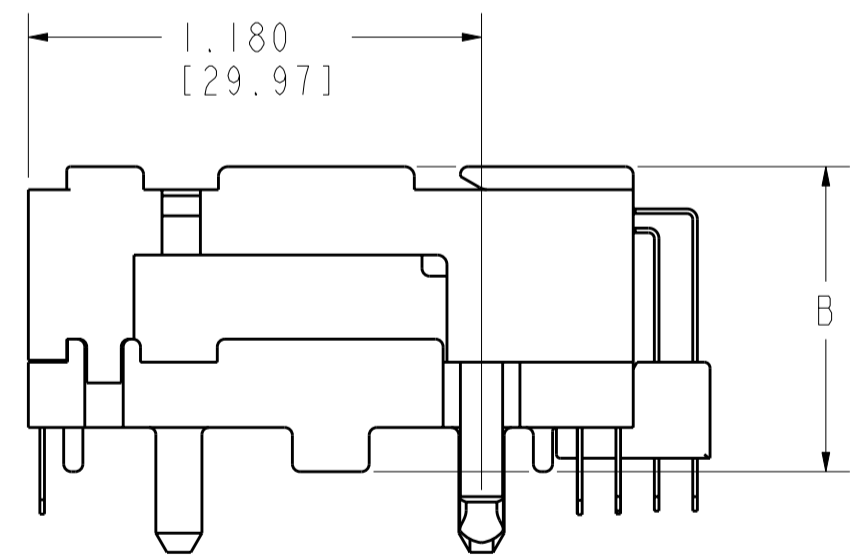
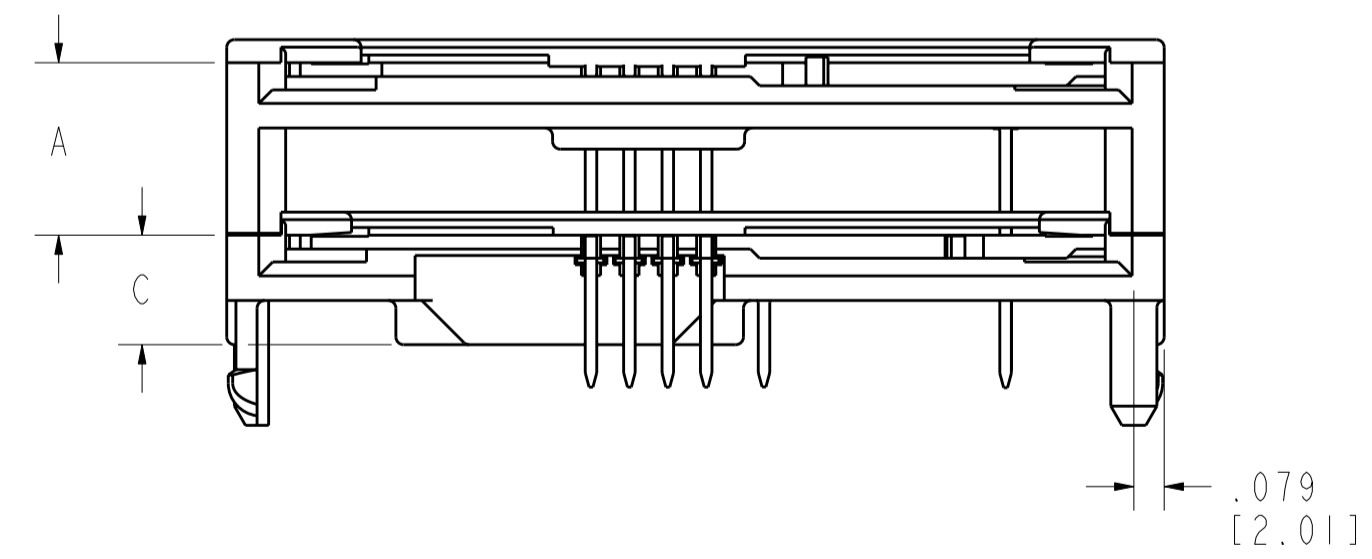


LOC	DIST	REVISIONS					
GP	00	P	LTR	DESCRIPTION	DATE	DWN	APVD
		0		RELEASED PER OS13-0027-05	27NOV05	GP	JG
		01		REVISED PER ECO-09-025699	11DEC2009	KK	AEG



- 1 MATERIAL:
HOUSING - PBT, 30% GLASS FILLED, BLACK
CONTACT - PHOSPHOR BRONZE
- 2 CONTACT PLATING - GOLD IN MATING AREA
(SEE TABLE FOR THICKNESS), OVER 50
MICROINCHES NICKEL; 100 MICROINCHES
TIN ON SOLDER TAILS.
- 3 SWITCH STYLE - NORMALLY CLOSED.
- 4 OBSOLETE PARTS: OBSOLETE CIS STREAMLINING
PER D.RENAUD/D.SINISI

WAS T&B 1406295-SALE

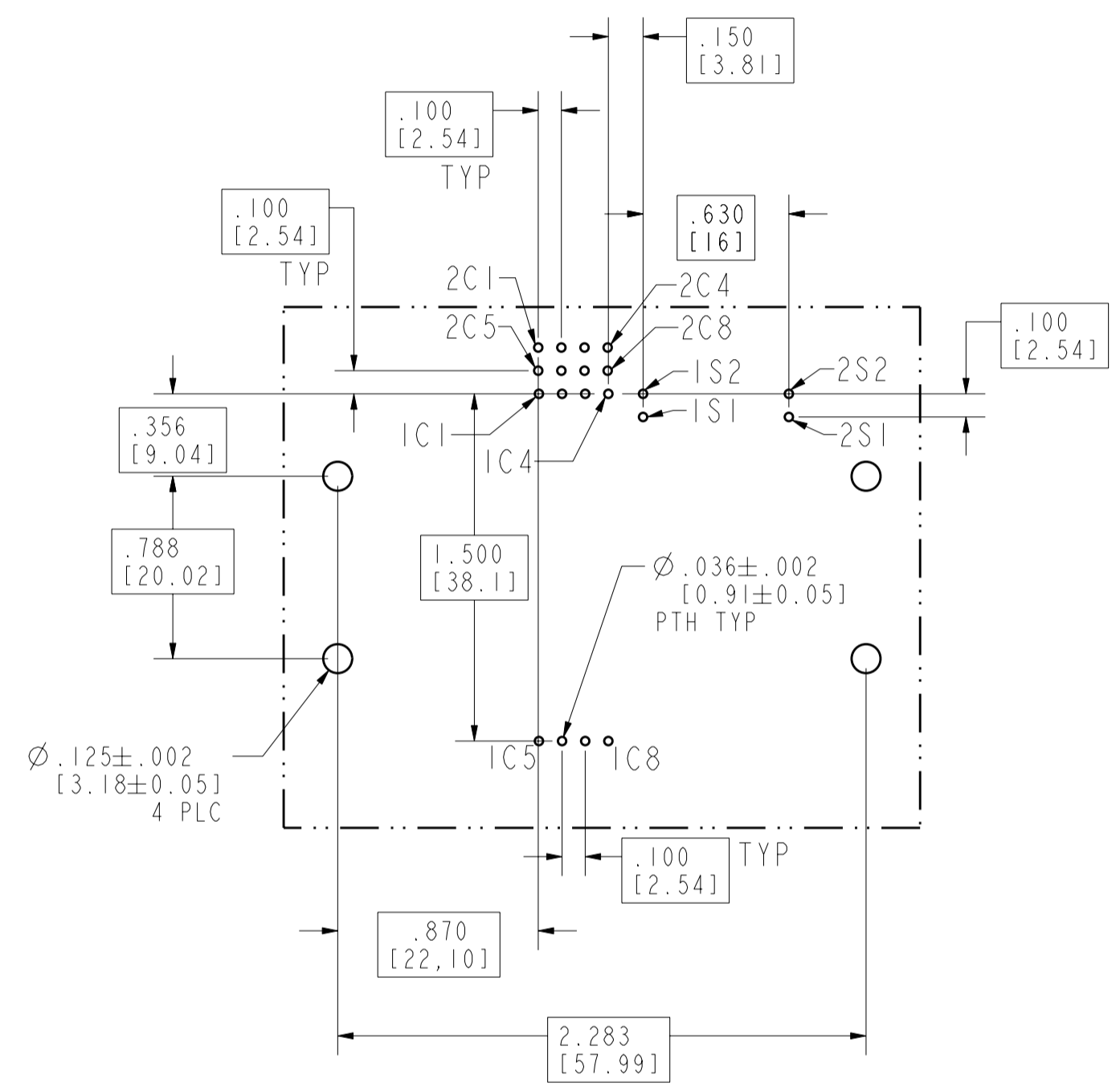
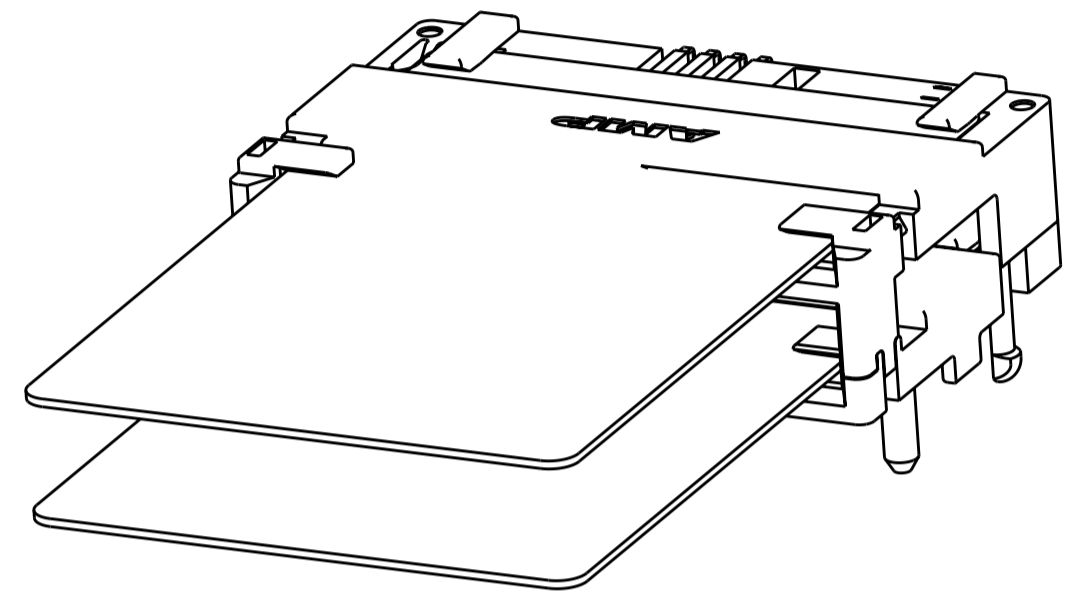


4 OBSOLETE	30 MICROINCHES	.285 [7.24]	.970 [24.64]	.625 [15.88]	6369097-3
	100 MICROINCHES	.285 [7.24]	.794 [20.17]	.449 [11.4]	6369097-2
	30 MICROINCHES	.285 [7.24]	.794 [20.17]	.449 [11.4]	6369097-1
	GOLD PLATING THICKNESS	C	B	A	PART NO.

<small>THIS DRAWING IS A CONTROLLED DOCUMENT FOR TYCO ELECTRONICS CORPORATION IT IS SUBJECT TO CHANGE AND THE CONTROLLING ENGINEERING ORGANIZATION SHOULD BE CONTACTED FOR THE LATEST REVISION.</small>		DWN G. PETERS 27NOV05 CHK D. GORENC 27NOV05 APVD M. WALMSLEY 27NOV05	tyco Electronics Tyco Electronics Corporation Harrisburg, PA 17105-3608		
DIMENSIONS: INCHES [mm]		TOLERANCES UNLESS OTHERWISE SPECIFIED: 0 PLC ± 1 PLC ± 2 PLC ± 3 PLC ±.005 4 PLC ± ANGLES ± FINISH		NAME STACKED ASSEMBLY, SMART CARD READER	
MATERIAL 1		PRODUCT SPEC APPLICATION SPEC WEIGHT CUSTOMER DRAWING		SIZE A2 CAGE CODE 00779 DRAWING NO. 6369097 RESTRICTED TO SCALE 2:1 SHEET 1 OF 2 REV 01	

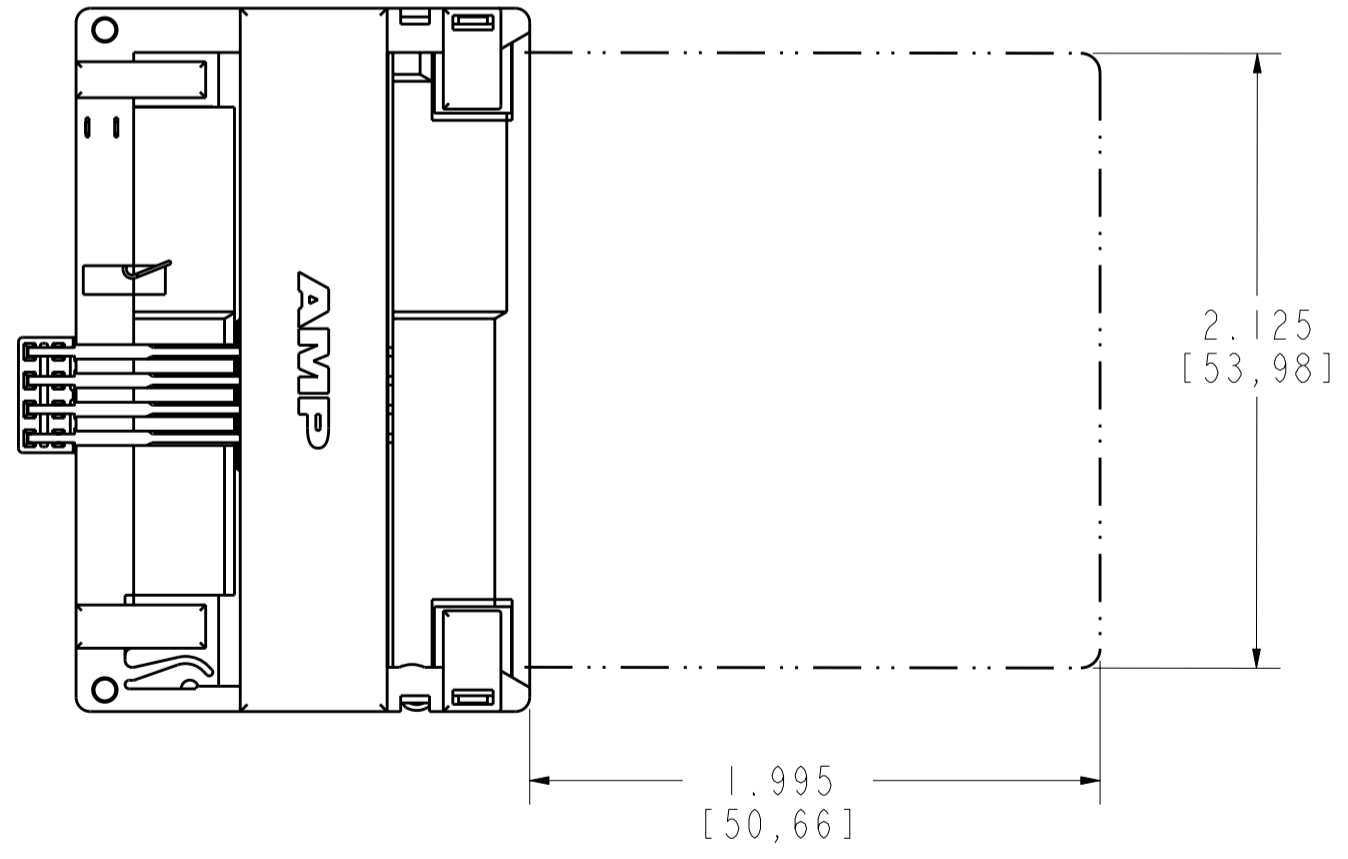
THIS DRAWING IS UNPUBLISHED. RELEASED FOR PUBLICATION 20
 © COPYRIGHT 2005 BY TYCO ELECTRONICS CORPORATION. ALL RIGHTS RESERVED.

LOC	DIST	REVISIONS					
GP	00	P	LTR	DESCRIPTION	DATE	DWN	APVD
		-		SEE SHEET 1			



RECOMMENDED PCB LAYOUT (.062 THICK),
 COMPONENT SIDE

POSITION TOLERANCE ON ALL HOLES: $\varnothing \pm .006$ [0.15]



SMART CARDS SHOWN FULLY INSERTED.
 DIMENSIONS ARE IN ACCORDANCE WITH
 ISO 7810 - 7816 (0.030" THICKNESS).

<small>THIS DRAWING IS A CONTROLLED DOCUMENT FOR TYCO ELECTRONICS CORPORATION IT IS SUBJECT TO CHANGE AND THE CONTROLLING ENGINEERING ORGANIZATION SHOULD BE CONTACTED FOR THE LATEST REVISION.</small>		DWN G. PETERS 27NOV05 CHK D. GORENC 27NOV05 APVD M. WALMSLEY 27NOV05	Tyco Electronics Corporation Harrisburg, PA 17105-3608	
DIMENSIONS: INCHES [mm]	TOLERANCES UNLESS OTHERWISE SPECIFIED: 0 PLC ± 1 PLC ± 2 PLC ± 3 PLC ±.005 4 PLC ± ANGLES ± FINISH	PRODUCT SPEC APPLICATION SPEC WEIGHT	NAME STACKED ASSEMBLY, SMART CARD READER	SIZE A2
MATERIAL		CUSTOMER DRAWING	DRAWING NO C-6369097	RESTRICTED TO -
SCALE 2:1			SHEET 2 OF 2	REV 01