



Chipsmall Limited consists of a professional team with an average of over 10 year of expertise in the distribution of electronic components. Based in Hongkong, we have already established firm and mutual-benefit business relationships with customers from,Europe,America and south Asia,supplying obsolete and hard-to-find components to meet their specific needs.

With the principle of "Quality Parts,Customers Priority,Honest Operation,and Considerate Service",our business mainly focus on the distribution of electronic components. Line cards we deal with include Microchip,ALPS,ROHM,Xilinx,Pulse,ON,Everlight and Freescale. Main products comprise IC,Modules,Potentiometer,IC Socket,Relay,Connector.Our parts cover such applications as commercial,industrial, and automotives areas.

We are looking forward to setting up business relationship with you and hope to provide you with the best service and solution. Let us make a better world for our industry!



Contact us

Tel: +86-755-8981 8866 Fax: +86-755-8427 6832

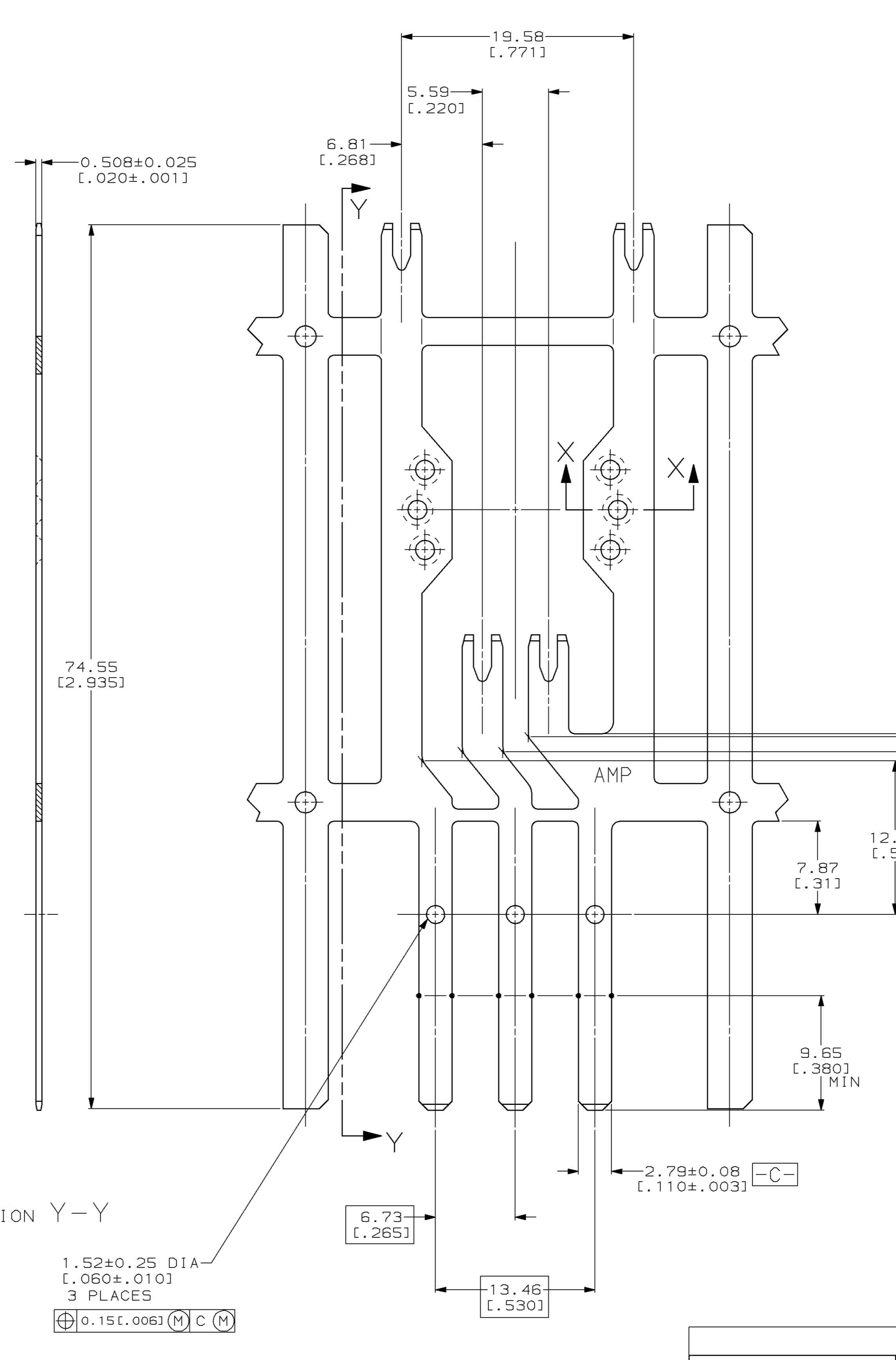
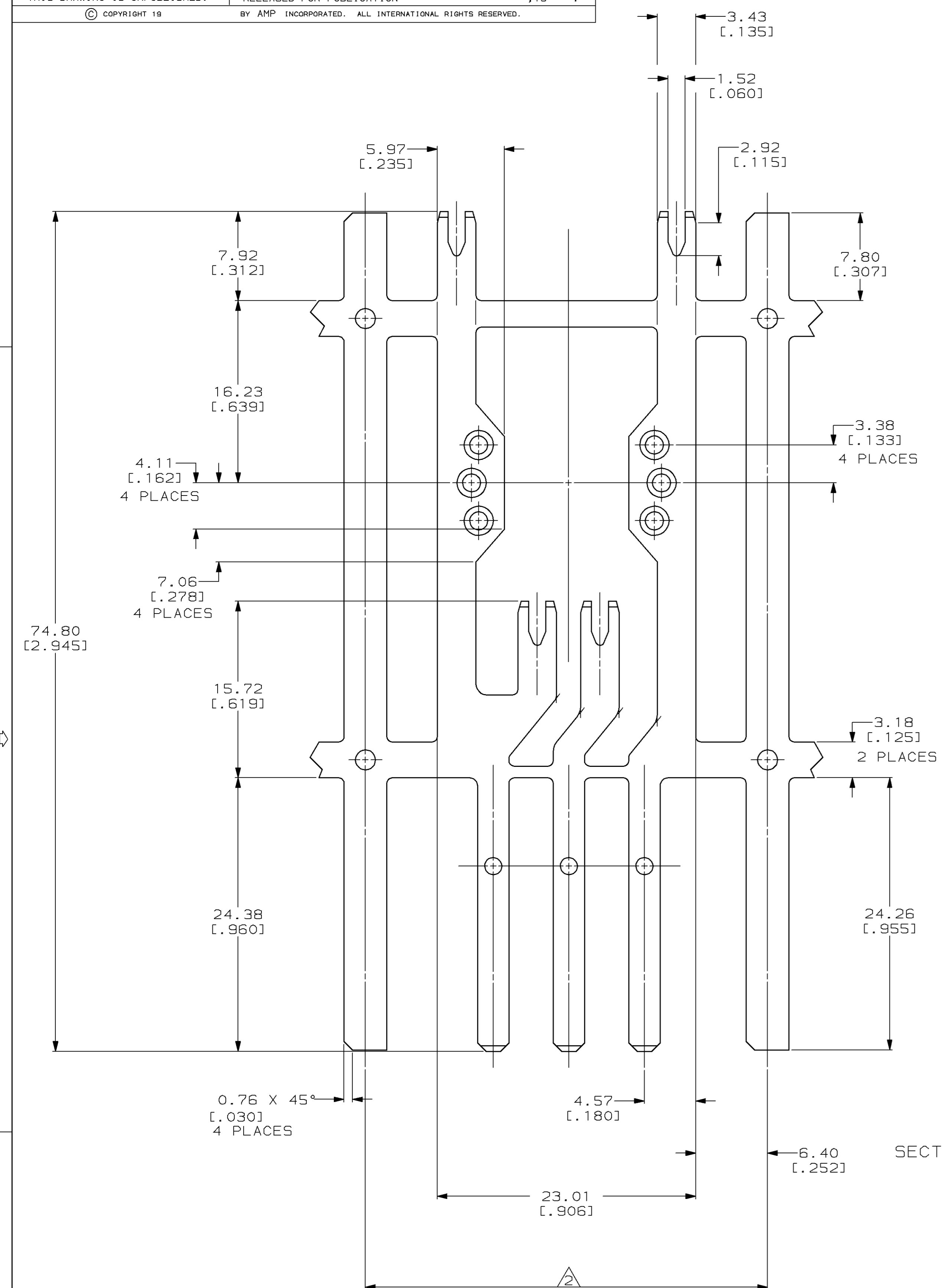
Email & Skype: info@chipsmall.com Web: www.chipsmall.com

Address: A1208, Overseas Decoration Building, #122 Zhenhua RD., Futian, Shenzhen, China



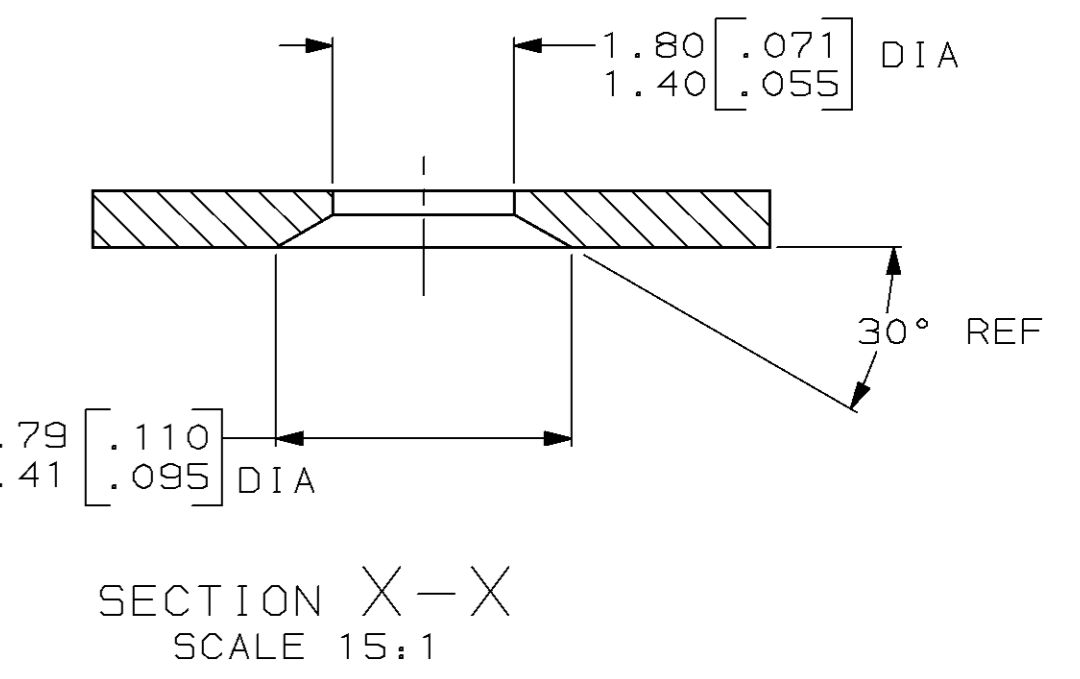
LOC		DIST		P		F		ZONE		LTR		REVISIONS			
AF	50											DESCRIPTION	DATE	APPD	
												F	REV PER 061A-0361-98	10-NOV-98	DB/PS

- 1 0.000406 (.000016) MIN TIN PER MIL-T-10727. LUBRICATED PER AMP SPEC. 112-2002-2.
- 2 CONTINUOUS STRIP ON REELS WITH TERMINALS LOCATED ON 35.81±0.08 [1.410±.003] CENTERS.



SECTION Y-Y

1.52±0.25 DIA
 [.060±.010]
 3 PLACES
 ⊕ 0.15 [.006] (M) C (M)



DO NOT SCALE PRINT. UNLESS SPECIFIED DIMENSIONS IN mm [INCHES] TOLERANCES ON:		DR 14/OCT/93 MICHAEL S. FEHER		63694-1 PART NO	
[2] PLC DEC ± 0.25 [.01]		CHK 14/DEC/93 JEFF R. RUTH		AMP Incorporated Harrisburg, PA 17105-3608	
[3] PLC DEC ± 0.13 [.005]		APPD 15/DEC/93 NELSON E. NEFF			
ANGLES ± -		APPD 15/DEC/93 TERRY L. SHUTTER		NAME CONNECTOR, BUSS BAR, TABS, 2.79[.110] AND POKE-IN, MAG-MATE™	
#4M BRASS		PRODUCT SPEC		SIZE D 00779 C=63694	
FINISH		APPLICATION SPEC		CAGE CODE 00779	
1		-		DRAWING NO C=63694	
-		-		SCALE 4:1	
-		-		SHEET 1 OF 1	

THIS DRAWING IS A CONTROLLED DOCUMENT FOR AMP INCORPORATED. IT IS SUBJECT TO CHANGE AND THE CONTROLLING ENGINEERING ORGANIZATION SHOULD BE CONTACTED FOR THE LATEST REVISION.