



Chipsmall Limited consists of a professional team with an average of over 10 year of expertise in the distribution of electronic components. Based in Hongkong, we have already established firm and mutual-benefit business relationships with customers from,Europe,America and south Asia,supplying obsolete and hard-to-find components to meet their specific needs.

With the principle of “Quality Parts,Customers Priority,Honest Operation,and Considerate Service”,our business mainly focus on the distribution of electronic components. Line cards we deal with include Microchip,ALPS,ROHM,Xilinx,Pulse,ON,Everlight and Freescale. Main products comprise IC,Modules,Potentiometer,IC Socket,Relay,Connector.Our parts cover such applications as commercial,industrial, and automotives areas.

We are looking forward to setting up business relationship with you and hope to provide you with the best service and solution. Let us make a better world for our industry!



Contact us

Tel: +86-755-8981 8866 Fax: +86-755-8427 6832

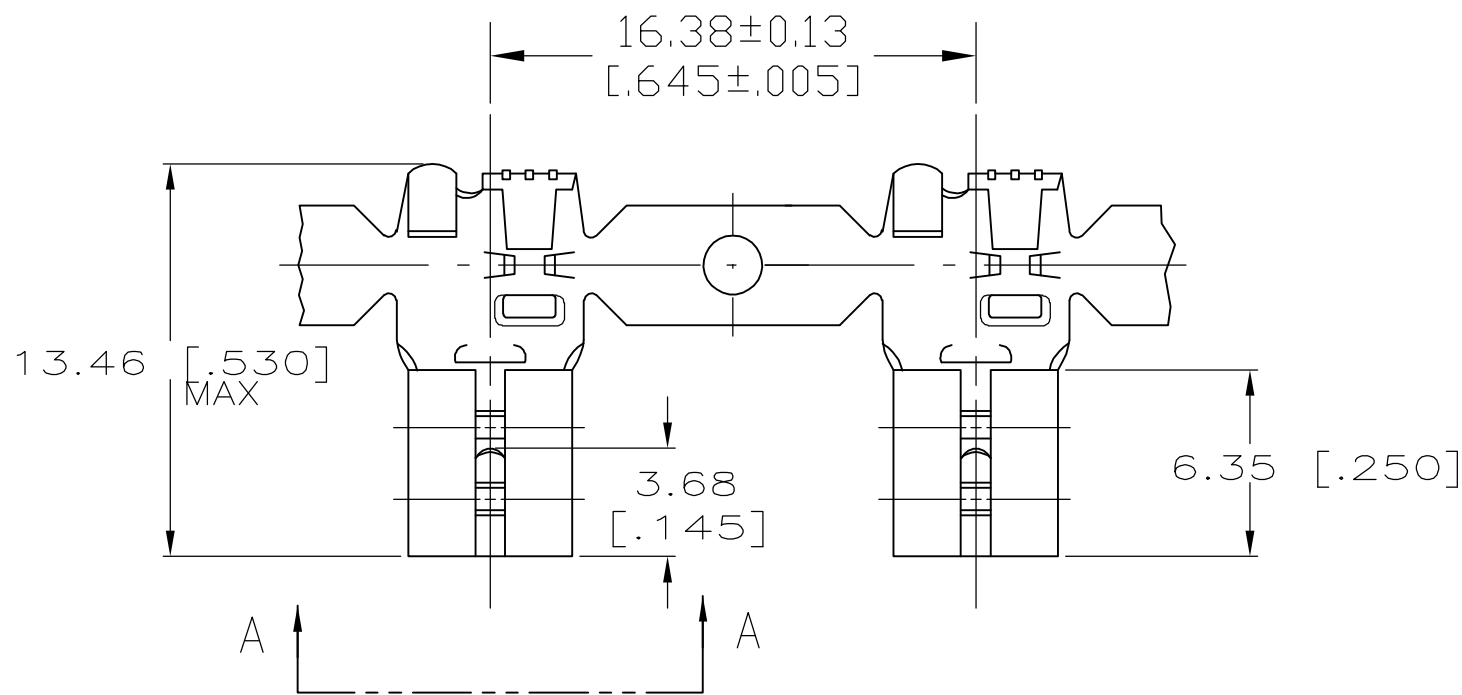
Email & Skype: info@chipsmall.com Web: www.chipsmall.com

Address: A1208, Overseas Decoration Building, #122 Zhenhua RD., Futian, Shenzhen, China

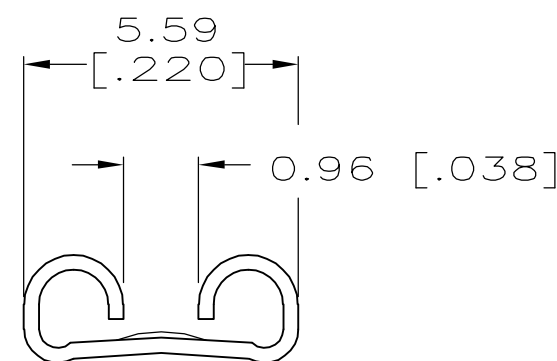


THIS DRAWING IS UNPUBLISHED. RELEASED FOR PUBLICATION, 19
 © COPYRIGHT 19 BY AMP INCORPORATED. ALL INTERNATIONAL RIGHTS RESERVED.

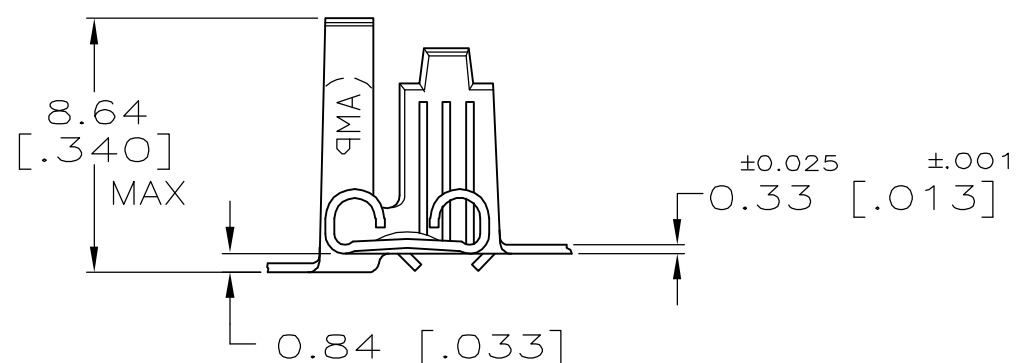
LOC	DIST	P	F	REVISIONS				
				ZONE	LTR	DESCRIPTION	DATE	APPD
AF	50				C1	REV PER ECR 06-028943	13DEC06	JR/PD



1 CONTINUOUS STRIP ON REELS.



VIEW A-A



THIS DRAWING IS A CONTROLLED DOCUMENT FOR AMP INCORPORATED. IT IS SUBJECT TO CHANGE AND THE CONTROLLING ENGINEERING ORGANIZATION SHOULD BE CONTACTED FOR THE LATEST REVISION.

2.79-4.32 DIA [.110-170] DIA	#20-#16 AWG	0.81 [.032]	63696-1
INSULATION RANGE	WIRE SIZE	MATING TAB THK ±0.025 [.001]	PART NO
DO NOT SCALE PRINT. UNLESS SPECIFIED DIMENSIONS IN mm [INCHES] TOLERANCES ON: 2 PLC DEC ± 0.25 [.010] 3 PLC DEC ± - ANGLES ± -	DR 6/2/93 JR RUTH CHK 6/2/93 MS FEHER APPD 6/2/93 P DESANTIS APPD 6/2/93 R REINER PRODUCT SPEC -	AMP AMP Incorporated Harrisburg, PA 17105-3608 NAME RECEPTACLE, FASTON, FLAG, 4.75 [.187] SERIES	
MATERIAL T2 STEEL	FINISH NICKEL 0.00381 [.000150] MIN	APPLICATION SPEC 114-2078	WEIGHT -
		SIZE B	CAGE CODE 00779
		SCALE 4:1	DRAWING NO C-63696
		SHEET 1 OF 1	