



Chipsmall Limited consists of a professional team with an average of over 10 year of expertise in the distribution of electronic components. Based in Hongkong, we have already established firm and mutual-benefit business relationships with customers from,Europe,America and south Asia,supplying obsolete and hard-to-find components to meet their specific needs.

With the principle of “Quality Parts,Customers Priority,Honest Operation,and Considerate Service”,our business mainly focus on the distribution of electronic components. Line cards we deal with include Microchip,ALPS,ROHM,Xilinx,Pulse,ON,Everlight and Freescale. Main products comprise IC,Modules,Potentiometer,IC Socket,Relay,Connector.Our parts cover such applications as commercial,industrial, and automotives areas.

We are looking forward to setting up business relationship with you and hope to provide you with the best service and solution. Let us make a better world for our industry!



## Contact us

Tel: +86-755-8981 8866 Fax: +86-755-8427 6832

Email & Skype: info@chipsmall.com Web: www.chipsmall.com

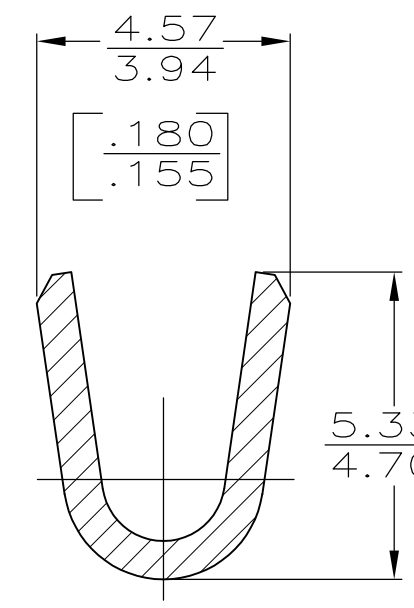
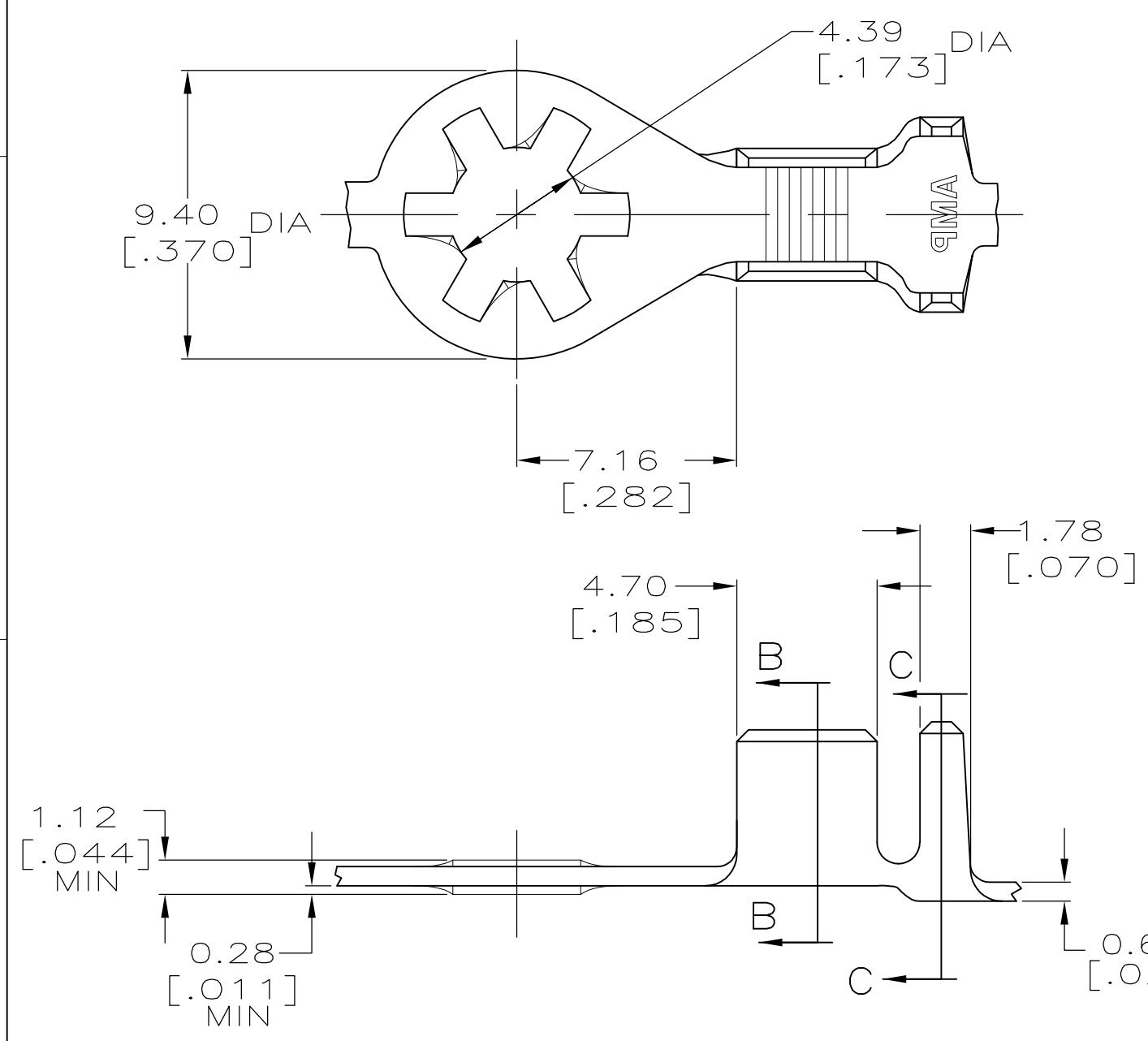
Address: A1208, Overseas Decoration Building, #122 Zhenhua RD., Futian, Shenzhen, China



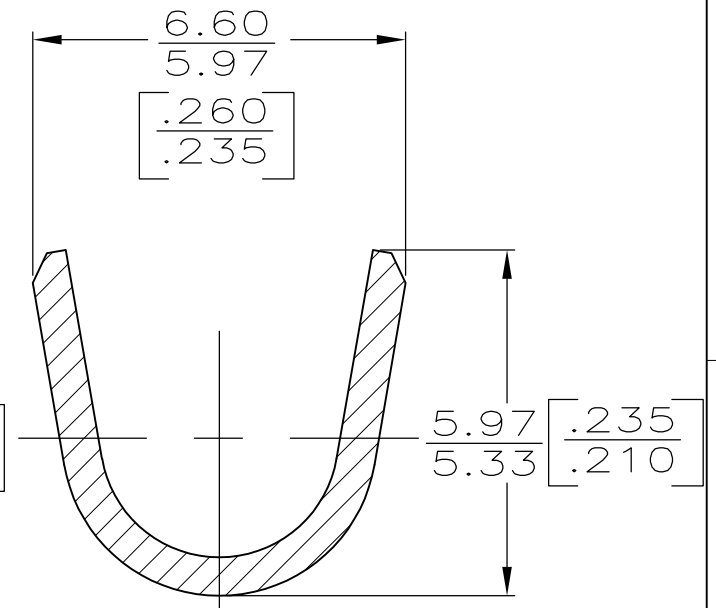
THIS DRAWING IS UNPUBLISHED. RELEASED FOR PUBLICATION  
 © COPYRIGHT BY TYCO ELECTRONICS CORPORATION. ALL INTERNATIONAL RIGHTS RESERVED.

LOC	DIST	REVISIONS					
AF	50	P	LTR	DESCRIPTION	DATE	DWN	APVD
		D		REVISED PER ECR-10-006099	09JUL10	HMR	PD

1. CONTINUOUS STRIP ON REEL.



SECTION B-B  
SCALE 8:1



SECTION C-C  
SCALE 8:1

F OR O	5.59 [.220]	6.35 [.250]	F	3.56 [.140]	2.36 [.093] (2) 1.3MM [16]	3.0MM [12]
					2.49 [.098]	2.0MM [14]
					2.24 [.088]	1.3MM [16]
					2.06 [.081]	
TYPE	WIDTH	STRIP LENGTH ±0.38 [±.015]	TYPE	WIDTH	±0.051 [.002] HEIGHT	WIRE
INSUL BARREL CRIMP			WIRE BARREL CRIMP			

3.30-4.32 DIA [.130-.170]	1.3-3.0mm <sup>2</sup> [16-12] AWG	63698-1
INSULATION RANGE	WIRE RANGE	PATR NO

THIS DRAWING IS A CONTROLLED DOCUMENT.

DIMENSIONS: mm [INCHES]	TOLERANCES UNLESS OTHERWISE SPECIFIED:
	0 PLC ± -
	1 PLC ± -
	2 PLC ± 0.25 [.010]
	3 PLC ± -
	4 PLC ± -
	ANGLES ± -
MATERIAL H04 BRASS	FINISH TIN

DWN PHIL FORTNEY 7/14/93	Tyco Electronics Corporation Harrisburg, PA 17105-3608
CHK JR RUTH 7/14/93	
APVD G YETTER 7/14/93	
PRODUCT SPEC	
APPLICATION SPEC	RING
WEIGHT -	SIZE A3 CAGE CODE 00779 DRAWING NO C-63698 RESTRICTED TO -
CUSTOMER DRAWING	SCALE 5:1 SHEET 1 OF 1 REV D