



Chipsmall Limited consists of a professional team with an average of over 10 year of expertise in the distribution of electronic components. Based in Hongkong, we have already established firm and mutual-benefit business relationships with customers from,Europe,America and south Asia,supplying obsolete and hard-to-find components to meet their specific needs.

With the principle of “Quality Parts,Customers Priority,Honest Operation,and Considerate Service”,our business mainly focus on the distribution of electronic components. Line cards we deal with include Microchip,ALPS,ROHM,Xilinx,Pulse,ON,Everlight and Freescale. Main products comprise IC,Modules,Potentiometer,IC Socket,Relay,Connector.Our parts cover such applications as commercial,industrial, and automotives areas.

We are looking forward to setting up business relationship with you and hope to provide you with the best service and solution. Let us make a better world for our industry!



Contact us

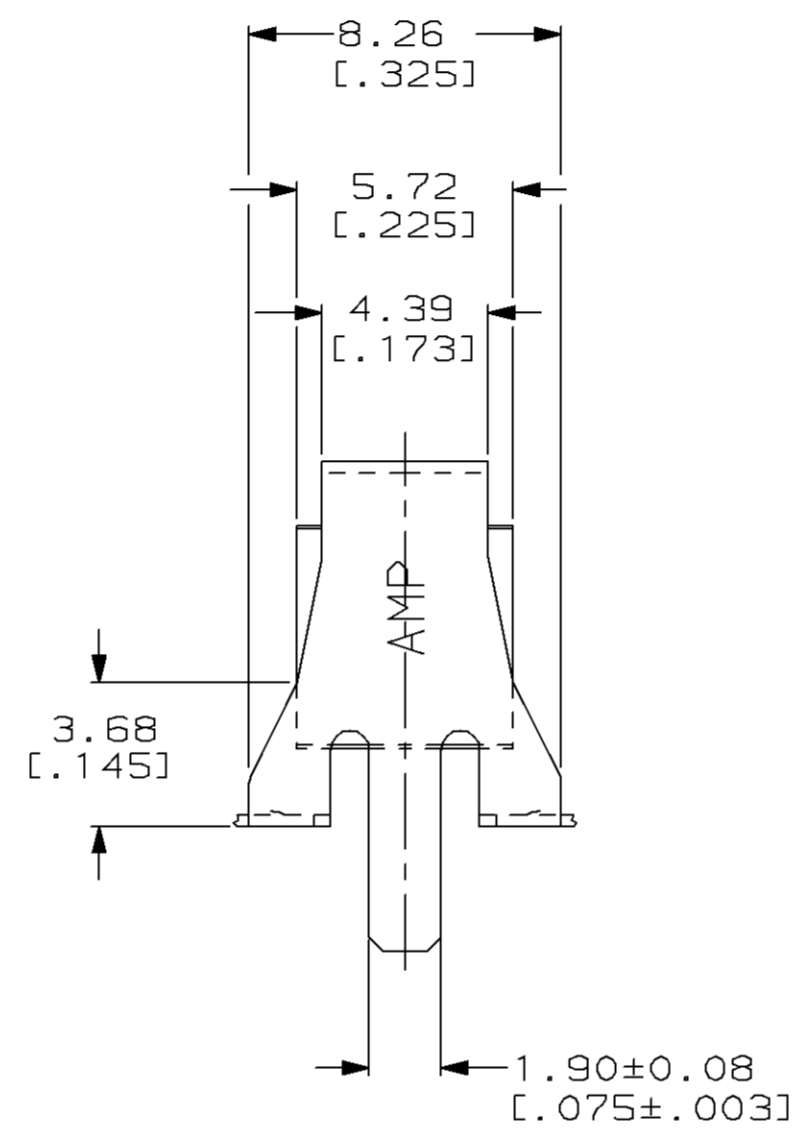
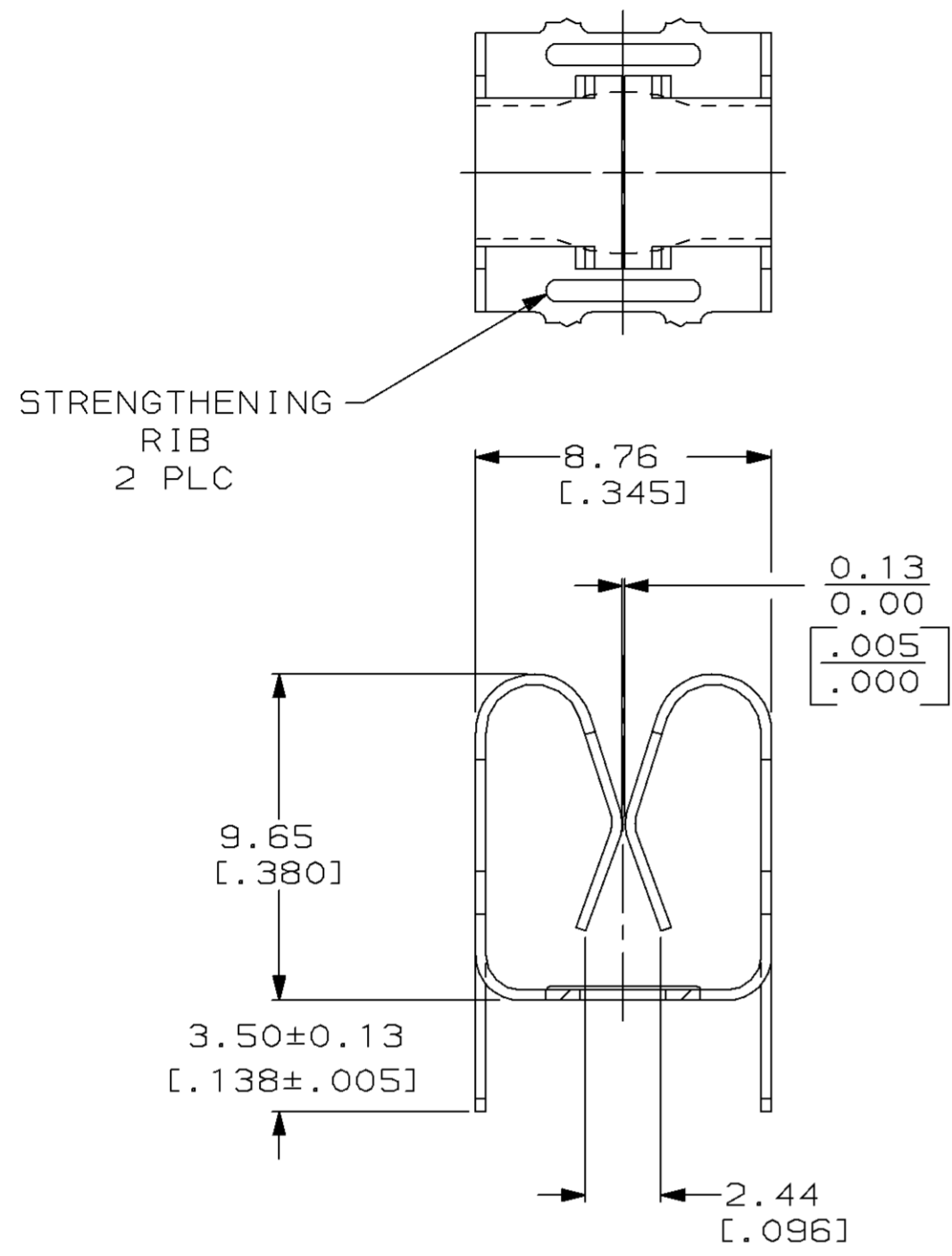
Tel: +86-755-8981 8866 Fax: +86-755-8427 6832

Email & Skype: info@chipsmall.com Web: www.chipsmall.com

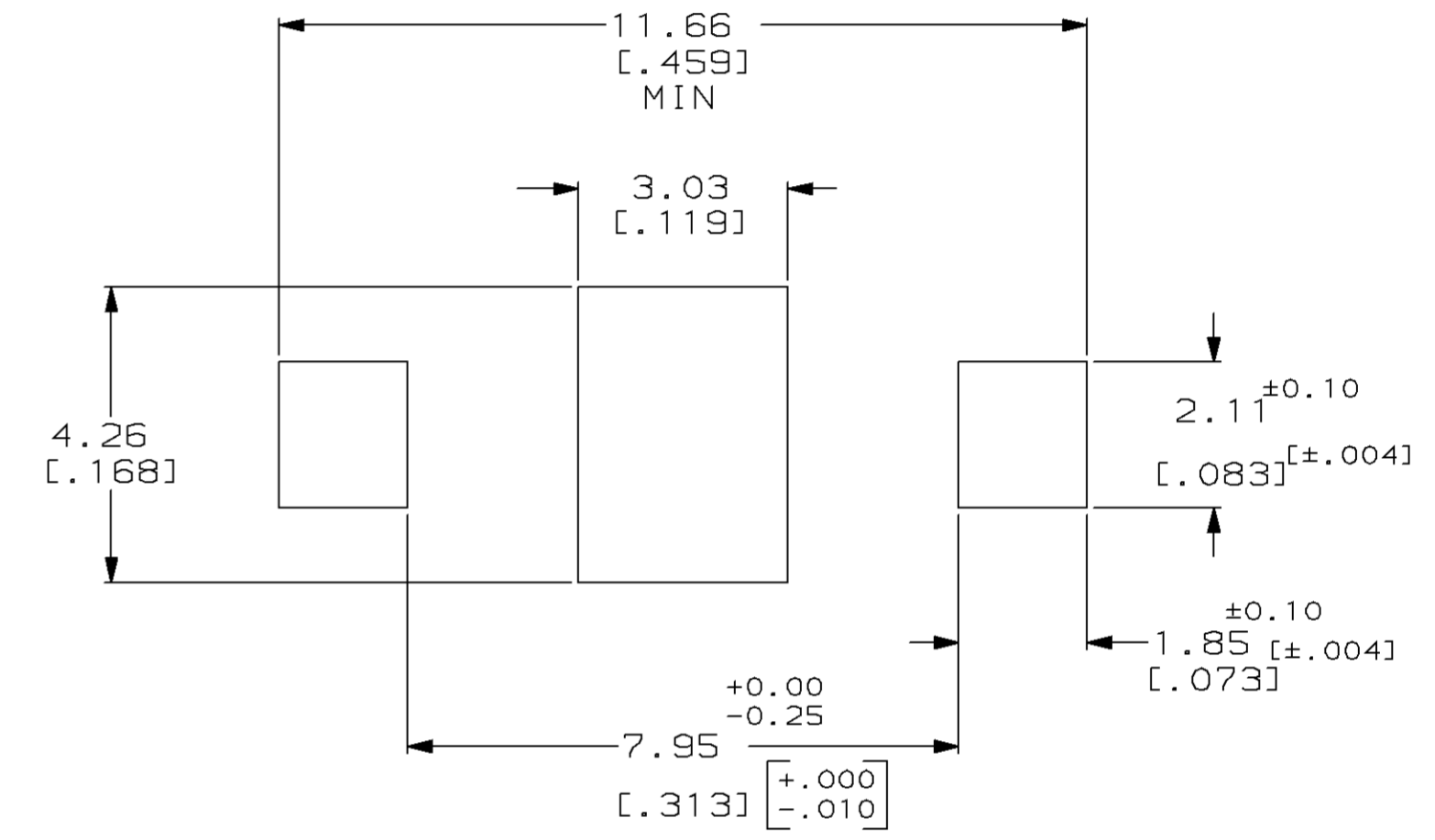
Address: A1208, Overseas Decoration Building, #122 Zhenhua RD., Futian, Shenzhen, China



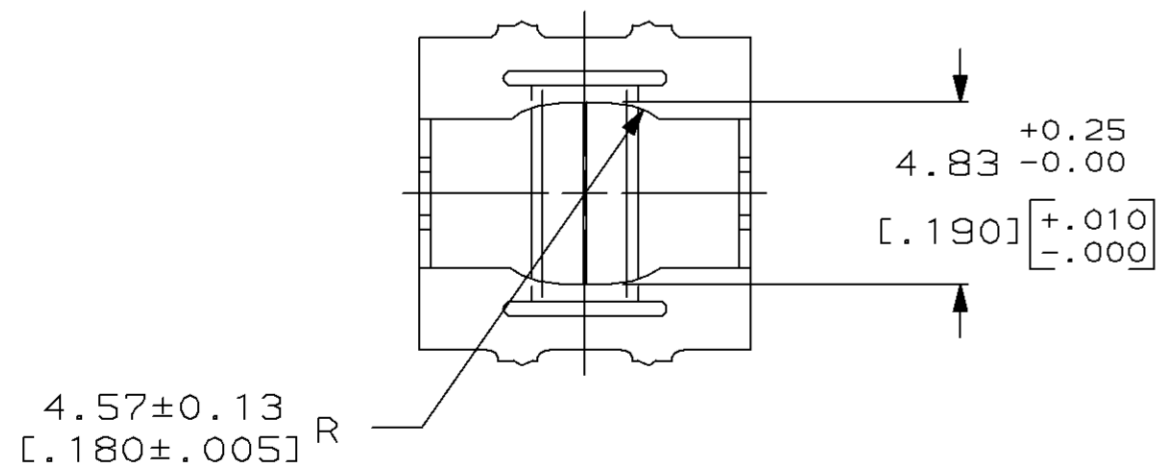
LOC		DIST		REVISIONS				DATE	APPD
ZONE	LTR	DESCRIPTION	DATE	APPD					
AF	50			A	RELEASR PER FASR & 0423-93	11/18/93	PF/EH		



- 1 CONTINUOUS STRIP ON REEL.
- 2 FINISH: 0.00127-0.00381 [.000050-.000150] PRE-TIN PL PER MIL-T-10727.



RECOMMENDED
 P.C. BOARD LAYOUT
 1.57 [.062] THK BOARD
 SCALE 10:1



DO NOT SCALE PRINT. UNLESS SPECIFIED DIMENSIONS IN mm [INCHES] TOLERANCES ON:		DR 2/2/93 P FORTNEY		63700-1	
2 PLC DEC ± 0.25 [.010]		CHK 2/2/93 JR RUTH		PART NO	
3 PLC DEC ± -		APPD 2/2/93 E HOWARD		AMP Incorporated Harrisburg, PA 17105-3608	
ANGLES ± -		APPD 2/2/93 R WEAIVILL			
MATERIAL H04 PHOS BRONZE		PRODUCT SPEC -		NAME PIN RECEPTACLE, P.C. BOARD	
FINISH		APPLICATION SPEC -		SIZE	CAGE CODE
THIS DRAWING IS A CONTROLLED DOCUMENT FOR AMP INCORPORATED. IT IS SUBJECT TO CHANGE AND THE CONTROLLING ENGINEERING ORGANIZATION SHOULD BE CONTACTED FOR THE LATEST REVISION.		2		SCALE	DRAWING NO
				WEIGHT -	00779
				SCALE 5:1	SHEET 1 OF 1