



Chipsmall Limited consists of a professional team with an average of over 10 year of expertise in the distribution of electronic components. Based in Hongkong, we have already established firm and mutual-benefit business relationships with customers from,Europe,America and south Asia,supplying obsolete and hard-to-find components to meet their specific needs.

With the principle of “Quality Parts,Customers Priority,Honest Operation,and Considerate Service”,our business mainly focus on the distribution of electronic components. Line cards we deal with include Microchip,ALPS,ROHM,Xilinx,Pulse,ON,Everlight and Freescale. Main products comprise IC,Modules,Potentiometer,IC Socket,Relay,Connector.Our parts cover such applications as commercial,industrial, and automotives areas.

We are looking forward to setting up business relationship with you and hope to provide you with the best service and solution. Let us make a better world for our industry!



## Contact us

Tel: +86-755-8981 8866 Fax: +86-755-8427 6832

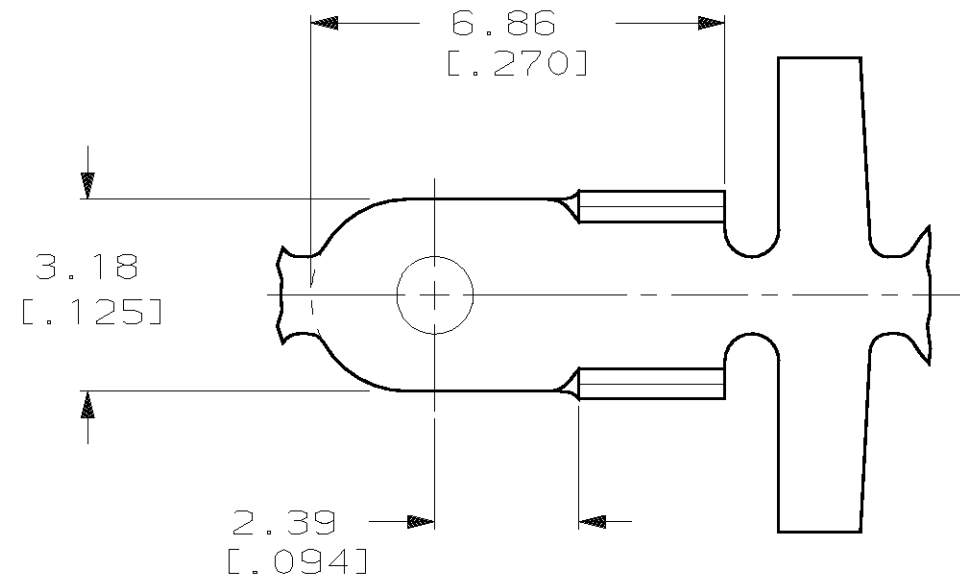
Email & Skype: info@chipsmall.com Web: www.chipsmall.com

Address: A1208, Overseas Decoration Building, #122 Zhenhua RD., Futian, Shenzhen, China

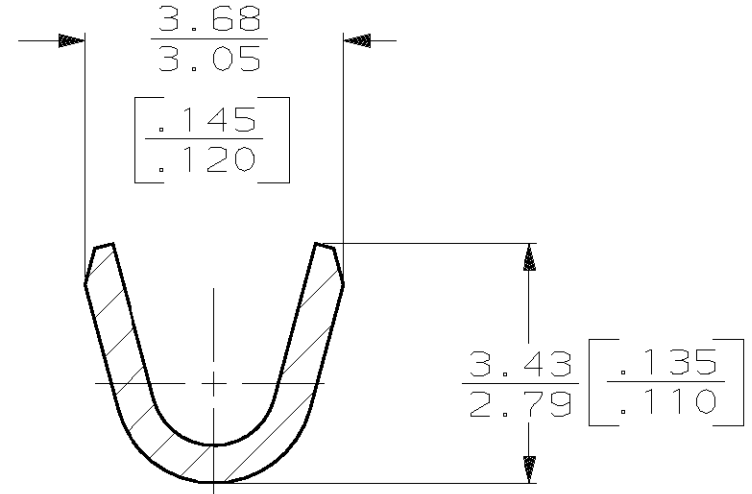


THIS DRAWING IS UNPUBLISHED. RELEASED FOR PUBLICATION, 19 .  
 © COPYRIGHT 19 BY AMP INCORPORATED. ALL INTERNATIONAL RIGHTS RESERVED.

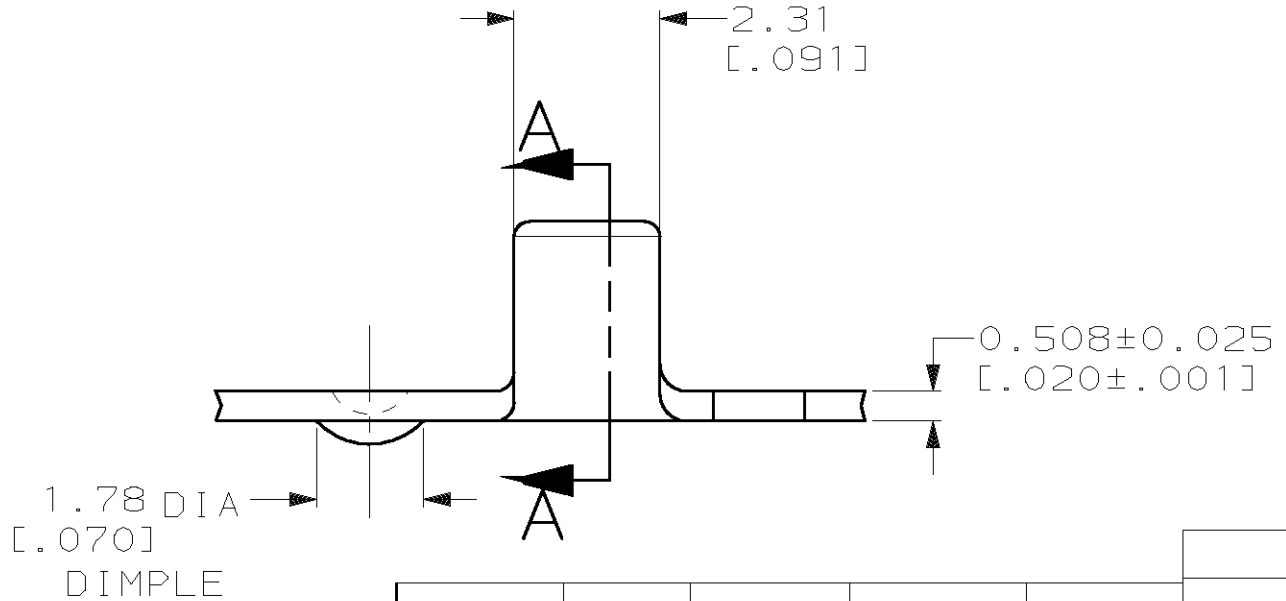
LOC	DIST	P	F	ZONE	LTR	DESCRIPTION	DATE	APPD
AF	50				B	ADDED -2 PER OG3A-0233-99	250CT99	JR/EH



- 1 CONTINUOUS STRIP ON REEL.
- 2 WIRE SIZE IS [#20-#16] AWG.
- △3 .00381 [.00150] MIN NICKEL
- △4 PRELIMINARY - NOT FOR PRODUCTION



SECTION A-A  
SCALE 10:1



3.96 [.156]	F	2.79 [.110]	1.68 [.066]	1.3mm <sup>2</sup> [16]
			1.52 [.060]	0.8mm <sup>2</sup> [18]
			1.42 [.056]	0.5mm <sup>2</sup> [20]
STRIP LENGTH ±0.38 [±.015]	TYPE	WIDTH	±0.051 [E.002] HEIGHT	WIRE
WIRE BARREL CRIMP				

THIS DRAWING IS A CONTROLLED DOCUMENT FOR AMP INCORPORATED. IT IS SUBJECT TO CHANGE AND THE CONTROLLING ENGINEERING ORGANIZATION SHOULD BE CONTACTED FOR THE LATEST REVISION.

-	1/4H NICKEL PER UNSN02200 (NICKEL 200)	△4 63701-2
△3	T3 STEEL	63701-1
FINISH	MATERIAL	PART NO
DO NOT SCALE PRINT. UNLESS SPECIFIED DIMENSIONS IN mm [INCHES] TOLERANCES ON: 2 PLC DEC ± 0.25 [.010] 3 PLC DEC ± - ANGLES ± -	DR 3/24/93 P FORTNEY CHK 3/24/93 JR RUTH APPD 3/24/93 D SCHWENK APPD 3/24/93 R WEAVILL PRODUCT SPEC - APPLICATION SPEC - WEIGHT -	AMP Incorporated Harrisburg, PA 17105-3608 NAME <b>WELD TAB</b> SIZE B CAGE CODE 00779 DRAWING NO C-63701 SCALE 8:1 SHEET 1 OF 1
SEE TABLE		