



Chipsmall Limited consists of a professional team with an average of over 10 year of expertise in the distribution of electronic components. Based in Hongkong, we have already established firm and mutual-benefit business relationships with customers from,Europe,America and south Asia,supplying obsolete and hard-to-find components to meet their specific needs.

With the principle of “Quality Parts,Customers Priority,Honest Operation,and Considerate Service”,our business mainly focus on the distribution of electronic components. Line cards we deal with include Microchip,ALPS,ROHM,Xilinx,Pulse,ON,Everlight and Freescale. Main products comprise IC,Modules,Potentiometer,IC Socket,Relay,Connector.Our parts cover such applications as commercial,industrial, and automotives areas.

We are looking forward to setting up business relationship with you and hope to provide you with the best service and solution. Let us make a better world for our industry!



Contact us

Tel: +86-755-8981 8866 Fax: +86-755-8427 6832

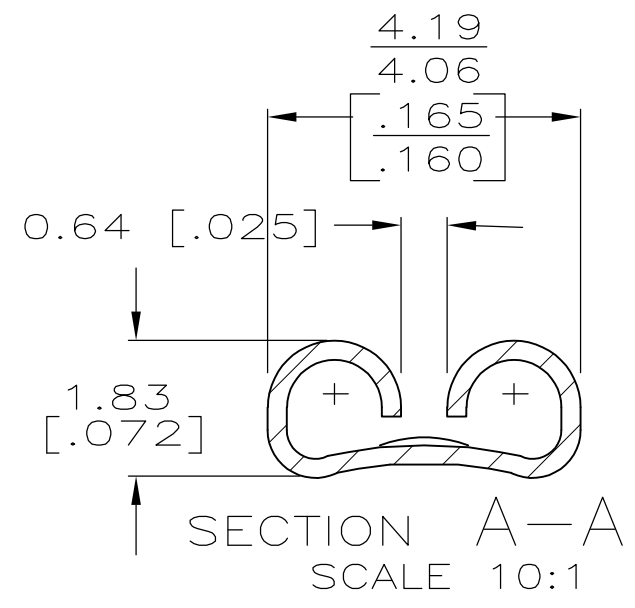
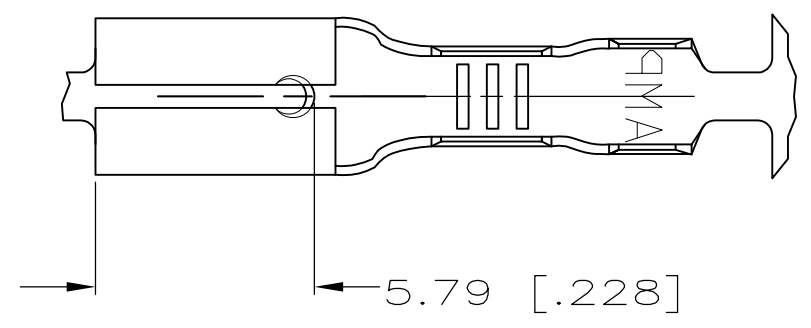
Email & Skype: info@chipsmall.com Web: www.chipsmall.com

Address: A1208, Overseas Decoration Building, #122 Zhenhua RD., Futian, Shenzhen, China

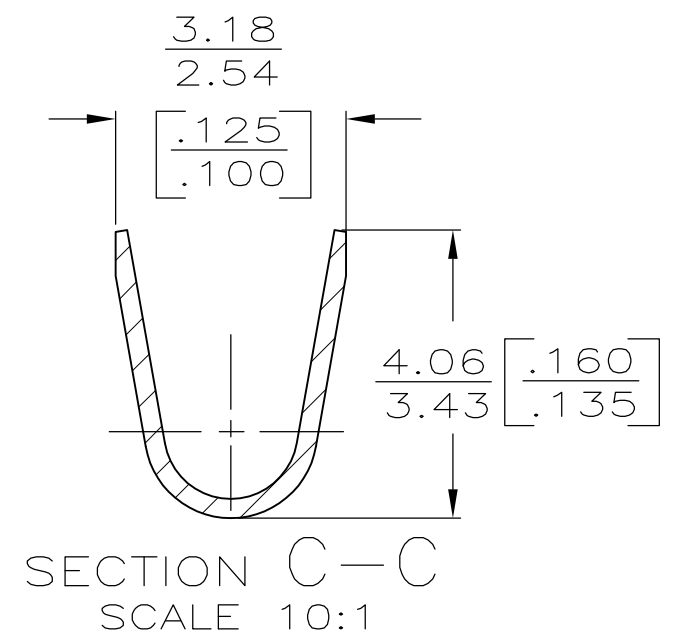
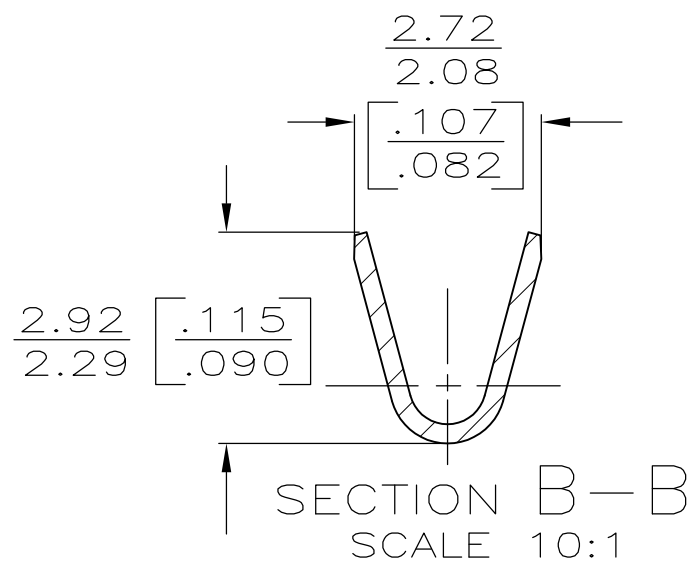
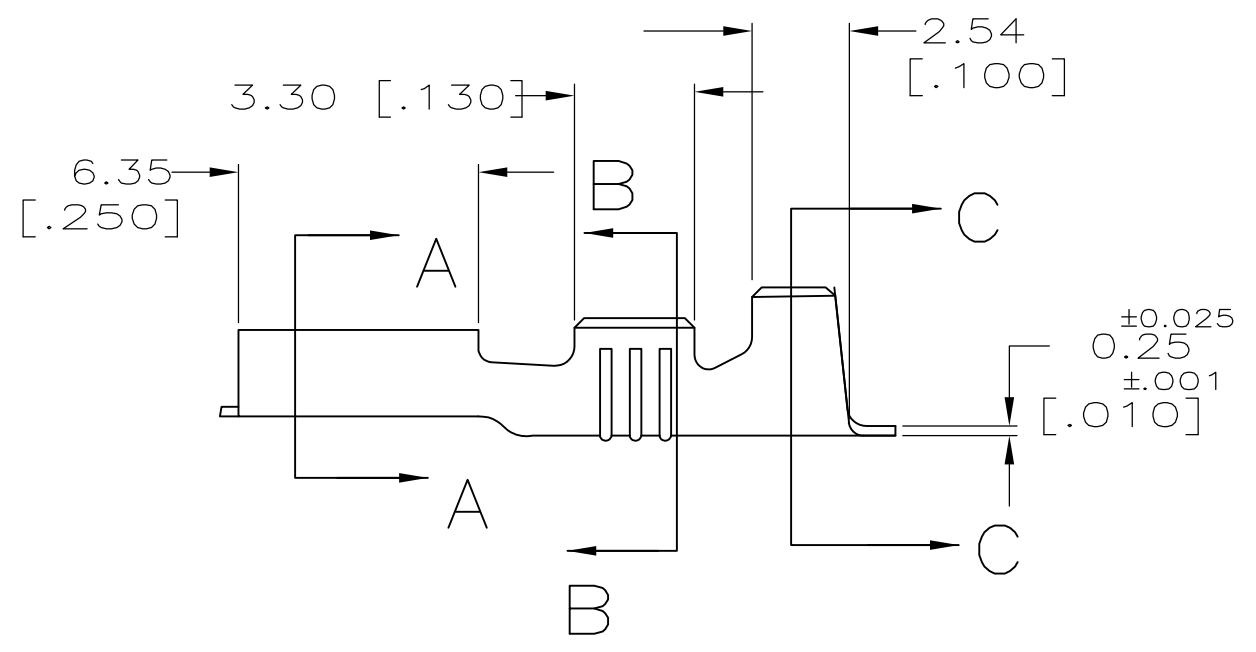


THIS DRAWING IS UNPUBLISHED. RELEASED FOR PUBLICATION
 © COPYRIGHT - By - ALL RIGHTS RESERVED.

LOC	DIST	REVISIONS			
P	LTR	DESCRIPTION	DATE	DWN	APVD
AF	50	E	REVISED PER ECR-12-013518	23NOV2012	KH PD



- CONTINUOUS STRIP ON REELS
 - WIRE SIZE IS #22-#18 AWG
 - INSULATION RANGE IS 2.29-2.79 [.090-.110] DIA.
 - MATING TAB THK IS 0.51±0.025 [.020±.001].
- ⚠ PRELIMINARY - NOT FOR PRODUCTION



H04 PHOS BRONZE	⚠ 63705-3
BRASS	⚠ 63705-2
BRASS	63705-1
MATERIAL	PART NO.

THIS DRAWING IS A CONTROLLED DOCUMENT.		DWN	JR RUTH	3/31/93	STE TE Connectivity		
DIMENSIONS: mm [INCHES]		CHK	MS FEHER	3/31/93			
TOLERANCES UNLESS OTHERWISE SPECIFIED:		APVD	J GILLISPIE	3/31/93	NAME		
0 PLC ± -		PRODUCT SPEC		RECEPTACLE, FASTON, 3.18 [.125] SERIES			
1 PLC ± -		APPLICATION SPEC		SIZE	CAGE CODE	DRAWING NO	RESTRICTED TO
2 PLC ± 0.25 [.010]		MATERIAL		A300779 C-63705			-
3 PLC ± -		FINISH		CUSTOMER DRAWING			SCALE 5:1
4 PLC ± -		SEE TABLE		SCALE 5:1			SHEET 1 OF 1
ANGLES ± -		-		SCALE 5:1			REV E