



Chipsmall Limited consists of a professional team with an average of over 10 year of expertise in the distribution of electronic components. Based in Hongkong, we have already established firm and mutual-benefit business relationships with customers from,Europe,America and south Asia,supplying obsolete and hard-to-find components to meet their specific needs.

With the principle of “Quality Parts,Customers Priority,Honest Operation,and Considerate Service”,our business mainly focus on the distribution of electronic components. Line cards we deal with include Microchip,ALPS,ROHM,Xilinx,Pulse,ON,Everlight and Freescale. Main products comprise IC,Modules,Potentiometer,IC Socket,Relay,Connector.Our parts cover such applications as commercial,industrial, and automotives areas.

We are looking forward to setting up business relationship with you and hope to provide you with the best service and solution. Let us make a better world for our industry!



Contact us

Tel: +86-755-8981 8866 Fax: +86-755-8427 6832

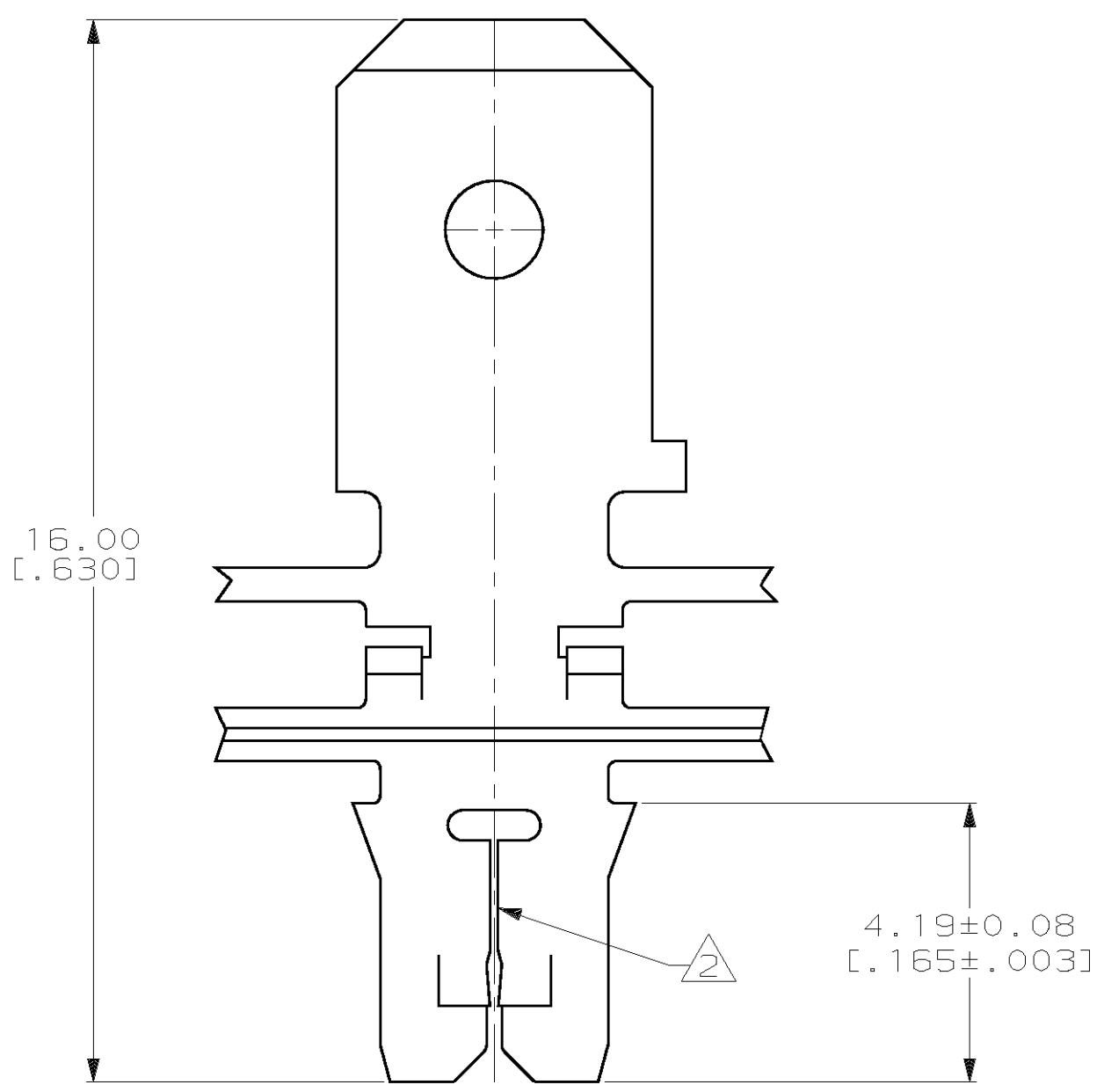
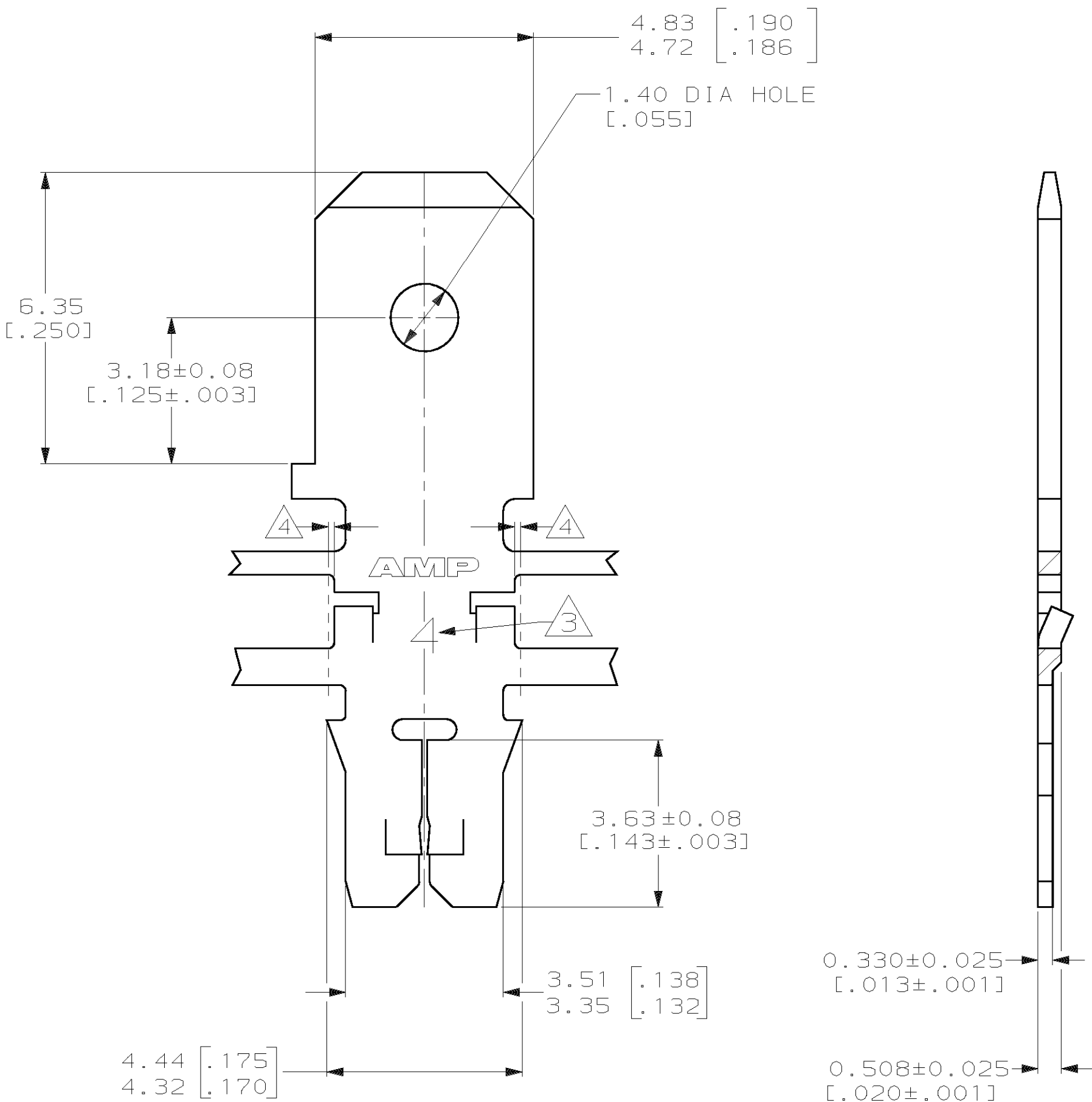
Email & Skype: info@chipsmall.com Web: www.chipsmall.com

Address: A1208, Overseas Decoration Building, #122 Zhenhua RD., Futian, Shenzhen, China



LOC	DIST	P	F	ZONE	LTR	DESCRIPTION	DATE	APPD
AF	50				F	REVISED PER 063A-0034-01	09FEB01	MF-KR

- 1 CONTINUOUS STRIP ON REELS WITH TERMINALS LOCATED ON 6.86±0.08 [.270±.003] CENTERS
- △2 SLOT ACCEPTS 0.18-0.23mm [#33-#31] AWG COPPER MAGNET WIRE. TWO WIRES OF THE SAME SIZE MAX PER SLOT
- △3 IDENTIFICATION NUMBER 4 FOR THE MAGNET WIRE SLOT SIZE
- △4 0.25[.010] MAX CARRIER CUT-OFF



DO NOT SCALE PRINT. UNLESS SPECIFIED DIMENSIONS IN mm [INCHES] TOLERANCES ON:		DR 9-27-93 L.A.MAYER		082 PRE-MILLED BRASS		63710-2	
2 PLC DEC ± 0.13 [.005]		CHK 9-27-93 M.S. FEHER		4M PRE-MILLED BRASS		63710-1	
3 PLC DEC ± -		APPD 9-27-93 A.HUNT III		MATERIAL		PART NO	
ANGLES ± -		APPD 9-27-93 T.L.SHUTTER		AMP AMP Incorporated Harrisburg, PA 17105-3608 NAME TAB, 4.75 [.187] FASTON™ MAG-MATE™ Slim Line			
MATERIAL SEE TABLE		PRODUCT SPEC 108-1484					
FINISH 0.002032 [.000080] MIN TIN		APPLICATION SPEC 114-2140		SIZE	CAGE CODE	DRAWING NO	
		WEIGHT -		③	00779	③=63710	
				SCALE	10:1	SHEET 1 OF 1	

THIS DRAWING IS A CONTROLLED DOCUMENT FOR AMP INCORPORATED. IT IS SUBJECT TO CHANGE AND THE CONTROLLING ENGINEERING ORGANIZATION SHOULD BE CONTACTED FOR THE LATEST REVISION.