



Chipsmall Limited consists of a professional team with an average of over 10 year of expertise in the distribution of electronic components. Based in Hongkong, we have already established firm and mutual-benefit business relationships with customers from,Europe,America and south Asia,supplying obsolete and hard-to-find components to meet their specific needs.

With the principle of “Quality Parts,Customers Priority,Honest Operation,and Considerate Service”,our business mainly focus on the distribution of electronic components. Line cards we deal with include Microchip,ALPS,ROHM,Xilinx,Pulse,ON,Everlight and Freescale. Main products comprise IC,Modules,Potentiometer,IC Socket,Relay,Connector.Our parts cover such applications as commercial,industrial, and automotives areas.

We are looking forward to setting up business relationship with you and hope to provide you with the best service and solution. Let us make a better world for our industry!



Contact us

Tel: +86-755-8981 8866 Fax: +86-755-8427 6832

Email & Skype: info@chipsmall.com Web: www.chipsmall.com

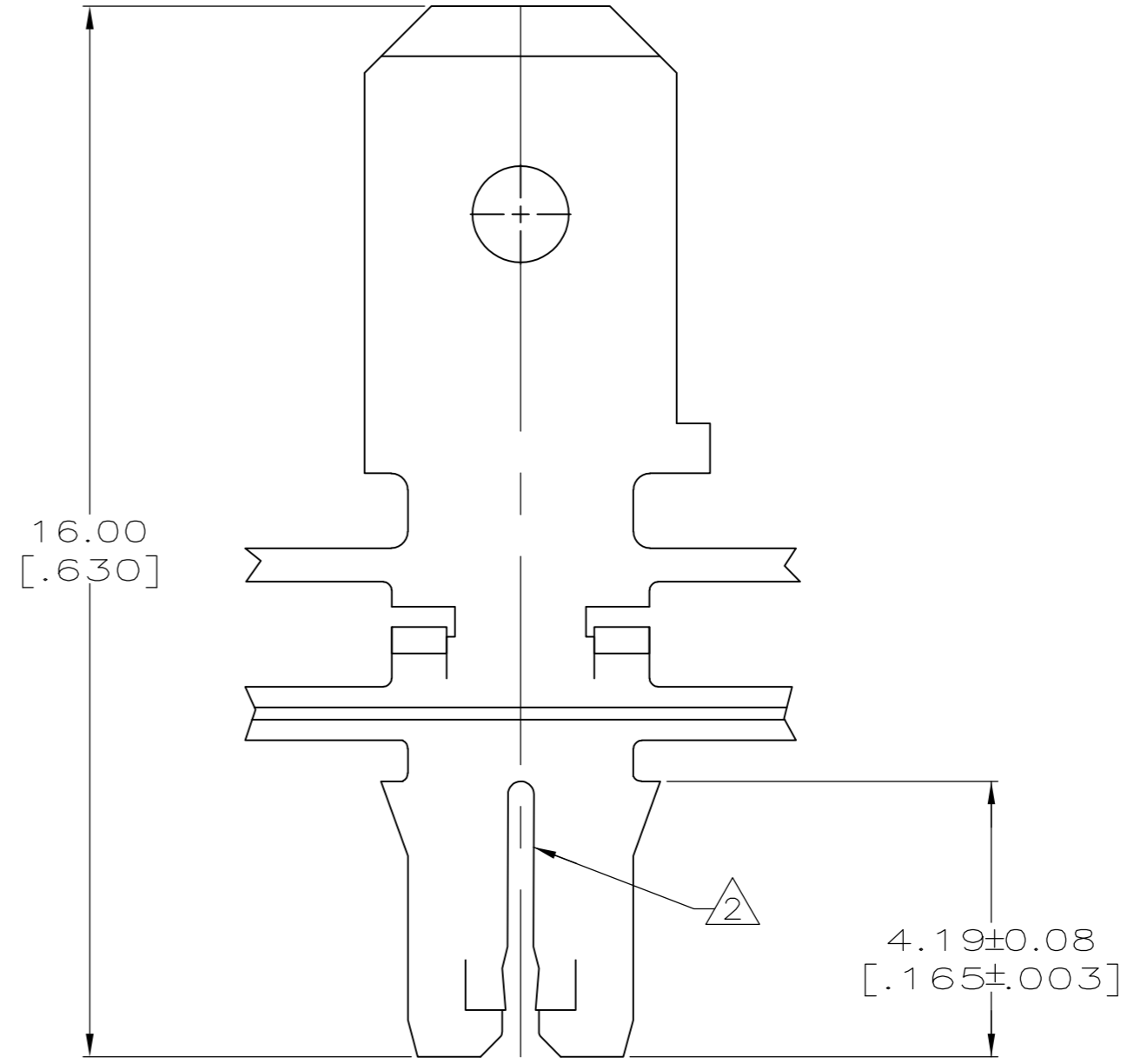
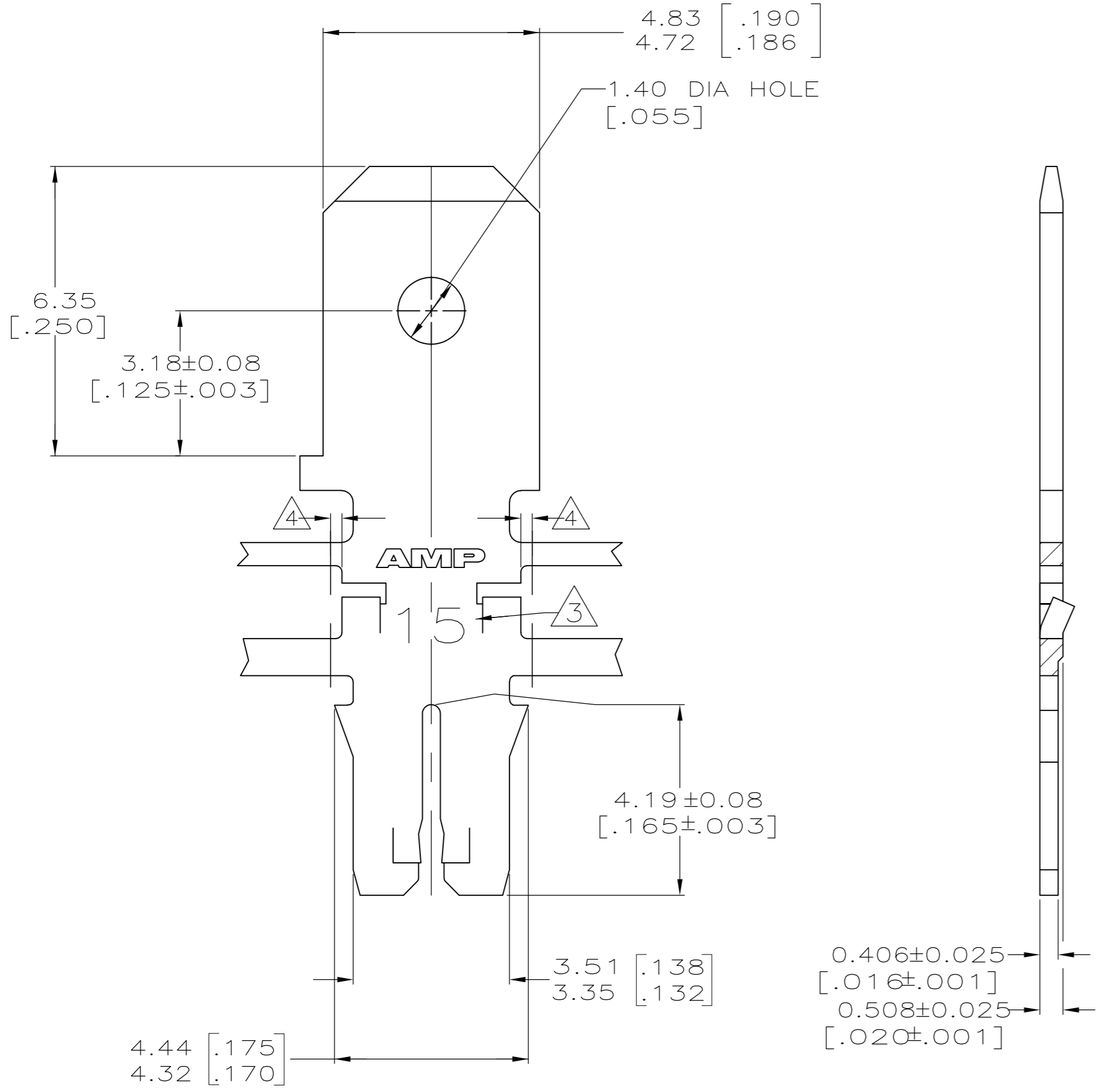
Address: A1208, Overseas Decoration Building, #122 Zhenhua RD., Futian, Shenzhen, China



THIS DRAWING IS UNPUBLISHED. RELEASED FOR PUBLICATION
 © COPYRIGHT - By - ALL RIGHTS RESERVED.

LOC		DIST		REVISIONS			
P	LTR	DESCRIPTION		DATE	DWN	APVD	
AF	50	F1	ECR-13-017177	05NOV13	PKS	RRP	

- 1 CONTINUOUS STRIP ON REELS WITH TERMINALS LOCATED ON 6.86±0.08 [.270±.003] CENTERS
- △2 SLOT ACCEPTS 0.57-0.81mm [#23-#20] AWG COPPER MAGNET WIRE. TWO WIRES OF THE SAME SIZE MAX PER SLOT FOR #23 GAGE. ONE WIRE MAX PER SLOT FOR #22-#20 AWG
- △3 IDENTIFICATION NUMBER 15 FOR THE MAGNET WIRE SLOT SIZE
- △4 0.25[.010] MAX CARRIER CUT-OFF TABS
- △5 PREPRODUCTION - F.A.S.R. REQUIRED.



082 BRASS	△5 63713-2
4M BRASS	63713-1
MATERIAL	PART NO

THIS DRAWING IS A CONTROLLED DOCUMENT.		DWN	L.A.MAYER	9-27-93	STE TE Connectivity	
DIMENSIONS: INCHES		CHK	M.S. FEHER	9-27-93		
TOLERANCES UNLESS OTHERWISE SPECIFIED:		APVD	-	-	NAME	
0 PLC ± -		PRODUCT SPEC		TAB, 4.75 [.187] FASTON™		
1 PLC ± -		APPLICATION SPEC		MAG-MATE™ Slim Line		
2 PLC ± 0.13 [.005]		114-2140		SIZE	CAGE CODE	DRAWING NO
3 PLC ± -		114-2140		A2	00779	63713
4 PLC ± -		WEIGHT		RESTRICTED TO		
ANGLES ± -		-		-		
FINISH		TIN PLATED		SCALE 10:1 SHEET 1 of 1 REV F1		
MATERIAL SEE TABLE		CUSTOMER DRAWING				