



Chipsmall Limited consists of a professional team with an average of over 10 year of expertise in the distribution of electronic components. Based in Hongkong, we have already established firm and mutual-benefit business relationships with customers from,Europe,America and south Asia,supplying obsolete and hard-to-find components to meet their specific needs.

With the principle of “Quality Parts,Customers Priority,Honest Operation,and Considerate Service”,our business mainly focus on the distribution of electronic components. Line cards we deal with include Microchip,ALPS,ROHM,Xilinx,Pulse,ON,Everlight and Freescale. Main products comprise IC,Modules,Potentiometer,IC Socket,Relay,Connector.Our parts cover such applications as commercial,industrial, and automotives areas.

We are looking forward to setting up business relationship with you and hope to provide you with the best service and solution. Let us make a better world for our industry!



Contact us

Tel: +86-755-8981 8866 Fax: +86-755-8427 6832

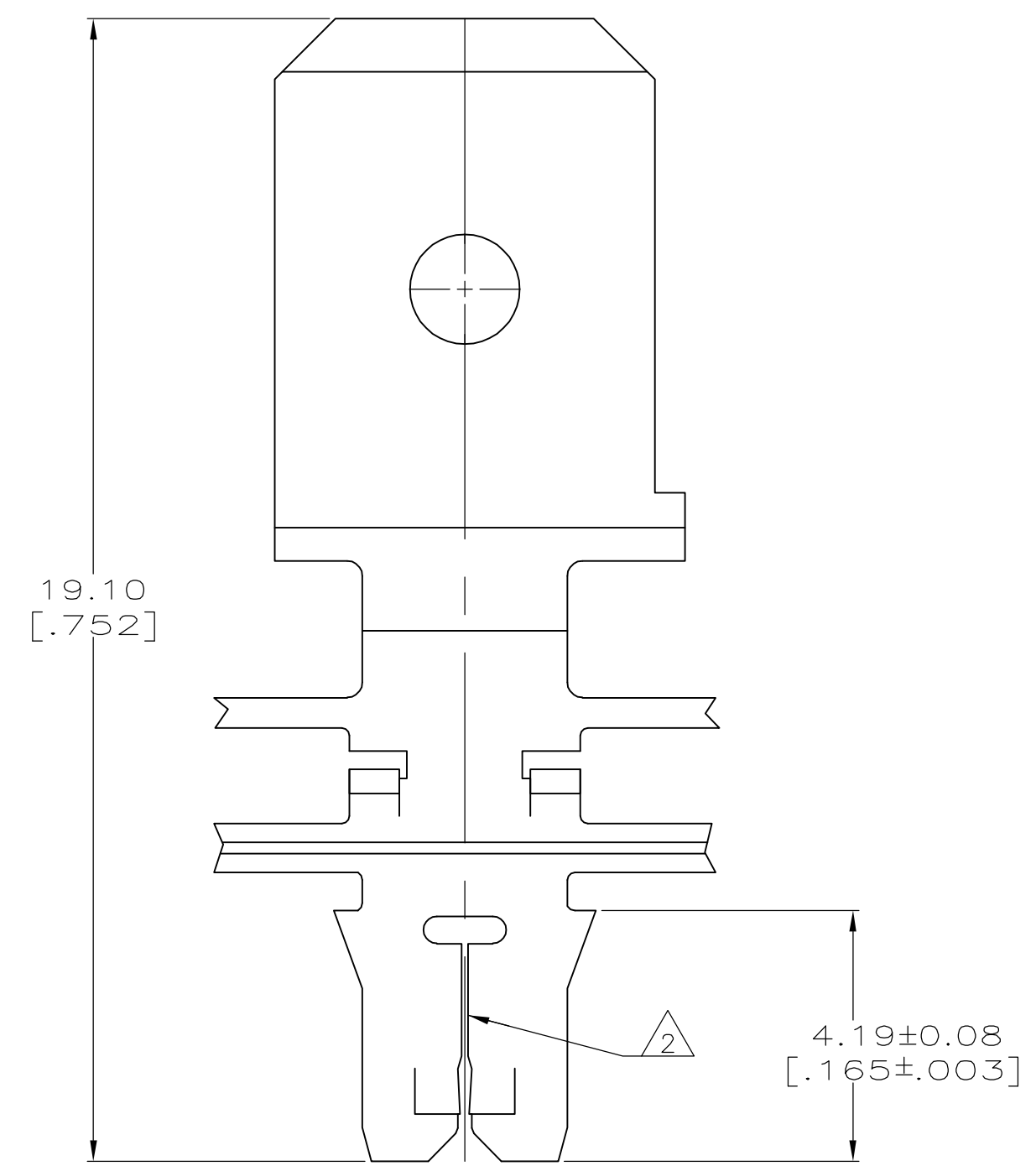
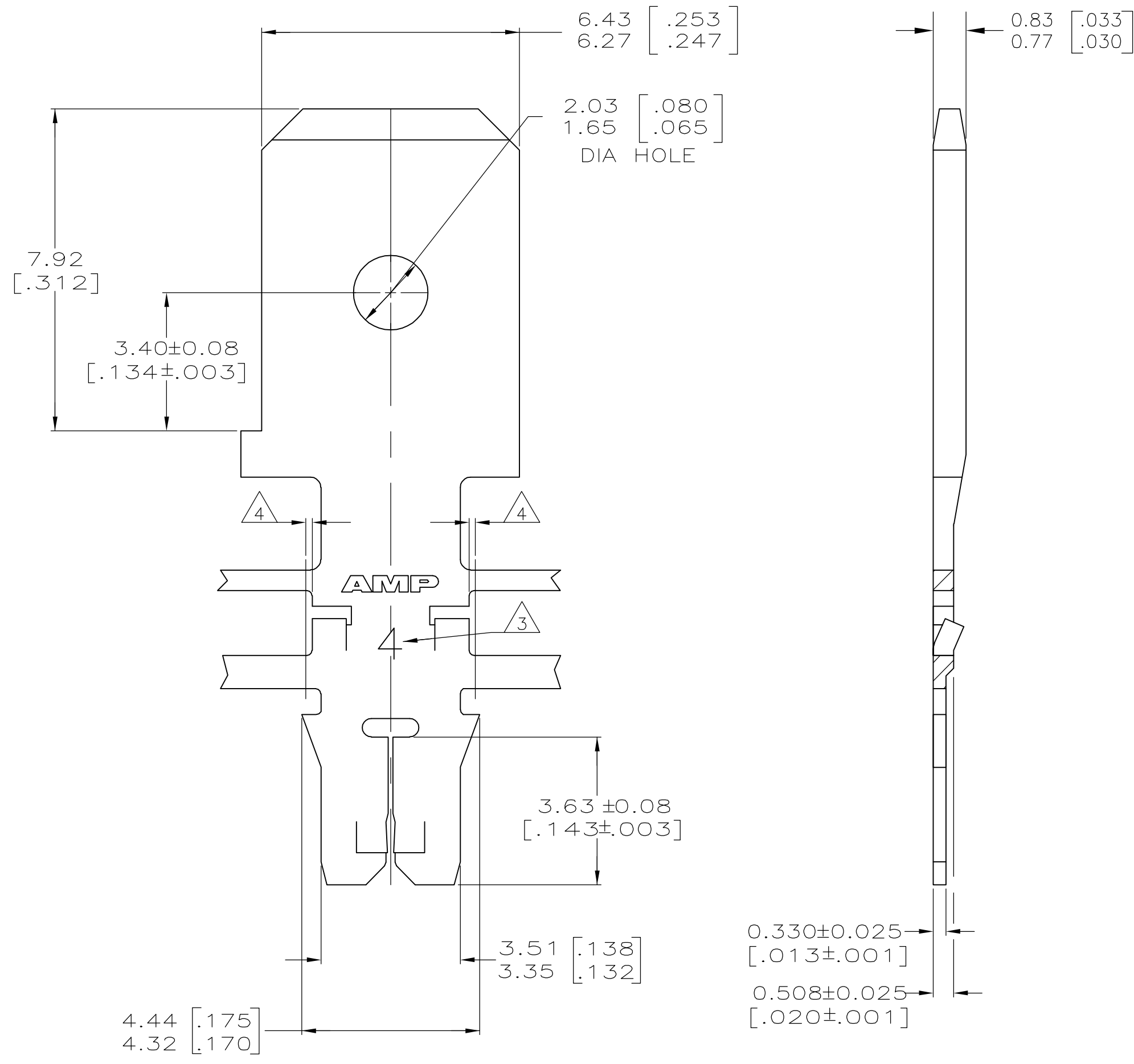
Email & Skype: info@chipsmall.com Web: www.chipsmall.com

Address: A1208, Overseas Decoration Building, #122 Zhenhua RD., Futian, Shenzhen, China



LOC	DIST	REVISIONS					
AF	50	P	LTR	DESCRIPTION	DATE	DWN	APVD
		G		REVISED PER ECR-06-010423	13SEP06	HMR	KR

- 1 CONTINUOUS STRIP ON REELS WITH TERMINALS LOCATED ON 8.38 ± 0.08 [$.330 \pm .003$] CENTERS.
- 2 SLOT ACCEPTS 0.18-0.23mm [#33-#31] AWG COPPER MAGNET WIRE. TWO WIRES OF THE SAME SIZE MAX PER SLOT
- 3 IDENTIFICATION NUMBER 4 FOR THE MAGNET WIRE SLOT SIZE
- 4 0.25 [.010] MAX CARRIER CUT-OFF TABS
- 5 PRE-PRODUCTION - F.A.S.R. REQUIRED.



OBSOLETE	082 PRE-MILLED BRASS	5	63716-2
	4M PRE-MILLED BRASS		63716-1
MATERIAL		PART NUMBER	

THIS DRAWING IS A CONTROLLED DOCUMENT.		DWN	L.A.MAYER	9-27-93		Tyco Electronics Corporation	
DIMENSIONS: mm [INCHES]		CHK	M.S. FEHER	9-27-93		Harrisburg, PA 17105-3608	
TOLERANCES UNLESS OTHERWISE SPECIFIED:		APVD	A.HUNT III	9-27-93		NAME	
0 PLC ± -	1 PLC ± -	PRODUCT SPEC		108-1484		TAB, 6.35 [.250] FASTON™	
2 PLC ± 0.13 [.005]	3 PLC ± -	APPLICATION SPEC		114-2140		MAG-MATE™ Slim Line	
4 PLC ± -	ANGLES ± -	MATERIAL		SIZE	A2	CAGE CODE	00779
FINISH	0.002032 [.000080] MIN TIN PLATE	SEE TABLE		WEIGHT	-	DRAWING NO	G-63716
CUSTOMER DRAWING		SCALE		10:1	SHEET	1 of 1	REV
						G	