



Chipsmall Limited consists of a professional team with an average of over 10 year of expertise in the distribution of electronic components. Based in Hongkong, we have already established firm and mutual-benefit business relationships with customers from,Europe,America and south Asia,supplying obsolete and hard-to-find components to meet their specific needs.

With the principle of “Quality Parts,Customers Priority,Honest Operation,and Considerate Service”,our business mainly focus on the distribution of electronic components. Line cards we deal with include Microchip,ALPS,ROHM,Xilinx,Pulse,ON,Everlight and Freescale. Main products comprise IC,Modules,Potentiometer,IC Socket,Relay,Connector.Our parts cover such applications as commercial,industrial, and automotives areas.

We are looking forward to setting up business relationship with you and hope to provide you with the best service and solution. Let us make a better world for our industry!



Contact us

Tel: +86-755-8981 8866 Fax: +86-755-8427 6832

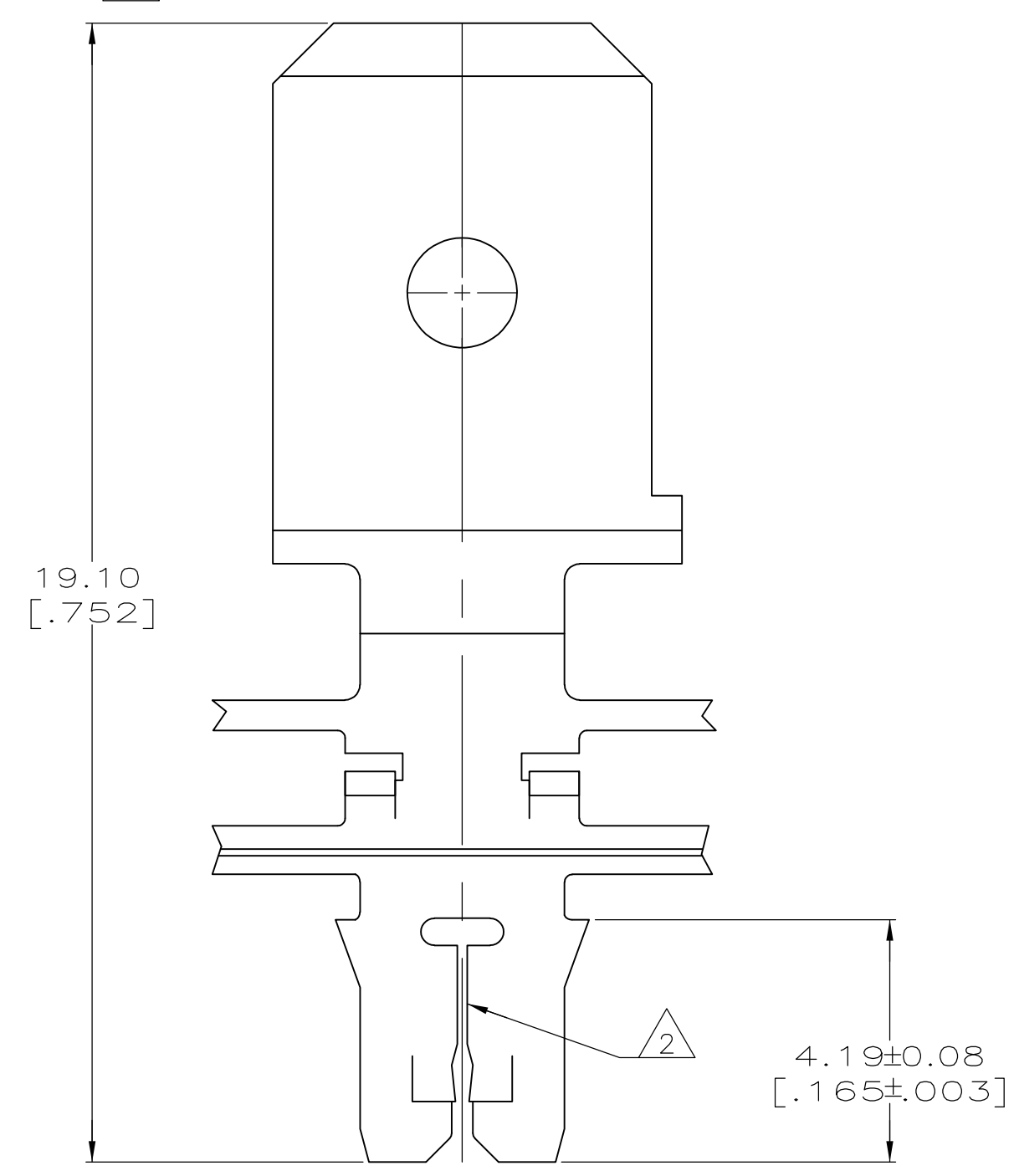
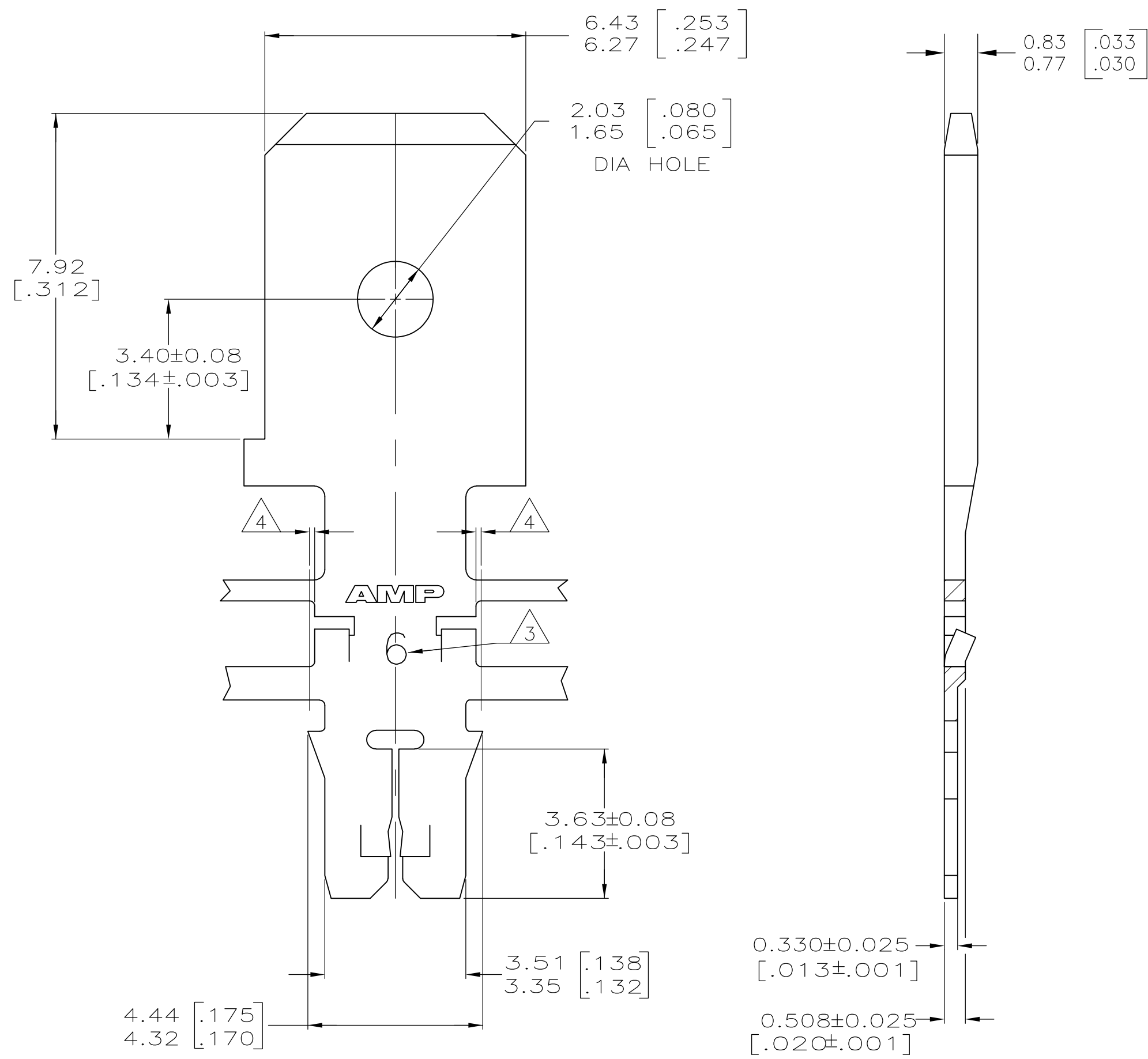
Email & Skype: info@chipsmall.com Web: www.chipsmall.com

Address: A1208, Overseas Decoration Building, #122 Zhenhua RD., Futian, Shenzhen, China



LOC	DIST	REVISIONS					
AF	50	P	LTR	DESCRIPTION	DATE	DWN	APVD
			G1	ECR-15-005665	10AUG2015	BDA	PKS

- 1 CONTINUOUS STRIP ON REELS WITH TERMINALS LOCATED ON 8.38 ± 0.08 [$.330 \pm .003$] CENTERS.
- 2 SLOT ACCEPTS 0.25-0.32mm [#30-#28] AWG COPPER MAGNET WIRE. SLOT ACCEPTS 0.32-0.45mm [#28-#25] AWG ALUMINUM MAGNET WIRE. ALUMINUM WIRE RANGE APPLIES FOR POST-TIN PLATED VERSIONS ONLY.TWO WIRES OF THE SAME SIZE MAX PER SLOT
- 3 IDENTIFICATION NUMBER 6 FOR THE MAGNET WIRE SLOT SIZE
- 4 0.25 [.010] MAX CARRIER CUT-OFF TABS.
- 5 PRE-PRODUCTION - F.A.S.R. REQUIRED.



OBsolete	082 PRE-MILLED BRASS	5	63717-2
	4M PRE-MILLED BRASS		63717-1
MATERIAL		PART NUMBER	

THIS DRAWING IS A CONTROLLED DOCUMENT.		DWN	L.A.MAYER	9-27-93	 TE connectivity
DIMENSIONS:		CHK	M.S. FEHER	9-27-93	
mm [INCHES]		APVD	A.HUNT	9-27-93	
TOLERANCES UNLESS OTHERWISE SPECIFIED:		NAME	TAB, 6.35 [.250] FASTON™ MAG-MATE™ Slim Line		
0 PLC ± -	1 PLC ± -	PRODUCT SPEC	108-1484		
2 PLC ± 0.13 [.005]	3 PLC ± -	APPLICATION SPEC	114-2140		
4 PLC ± -	ANGLES ± -	SIZE	CAGE CODE	DRAWING NO	RESTRICTED TO
MATERIAL	FINISH	WEIGHT	A2	00779	63717
SEE TABLE	0.002032 [.000080] MIN TIN PLATE	CUSTOMER DRAWING	SCALE	10:1	SHEET
				1	of 1
					REV
					G1