



Chipsmall Limited consists of a professional team with an average of over 10 year of expertise in the distribution of electronic components. Based in Hongkong, we have already established firm and mutual-benefit business relationships with customers from,Europe,America and south Asia,supplying obsolete and hard-to-find components to meet their specific needs.

With the principle of “Quality Parts,Customers Priority,Honest Operation,and Considerate Service”,our business mainly focus on the distribution of electronic components. Line cards we deal with include Microchip,ALPS,ROHM,Xilinx,Pulse,ON,Everlight and Freescale. Main products comprise IC,Modules,Potentiometer,IC Socket,Relay,Connector.Our parts cover such applications as commercial,industrial, and automotives areas.

We are looking forward to setting up business relationship with you and hope to provide you with the best service and solution. Let us make a better world for our industry!



Contact us

Tel: +86-755-8981 8866 Fax: +86-755-8427 6832

Email & Skype: info@chipsmall.com Web: www.chipsmall.com

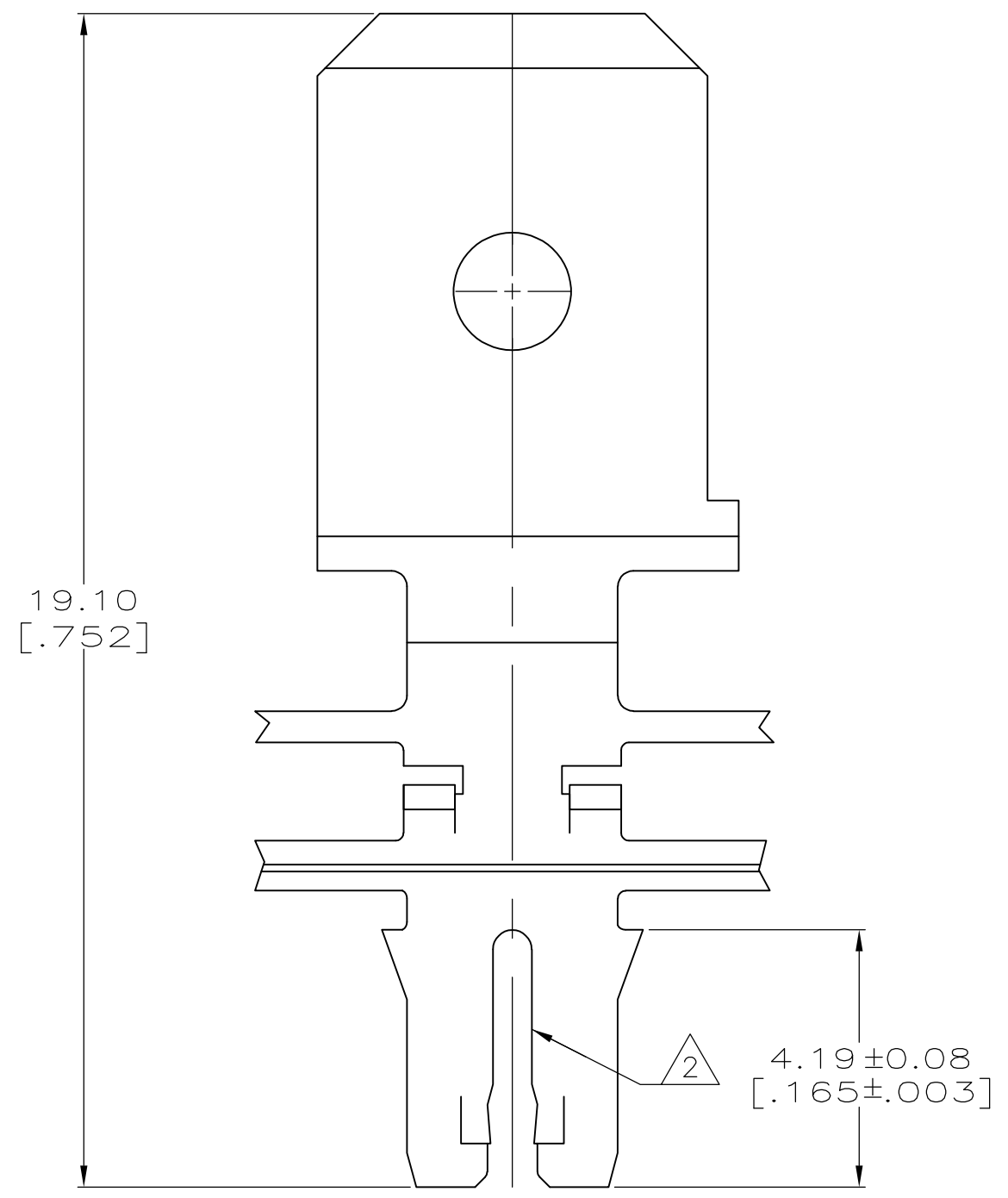
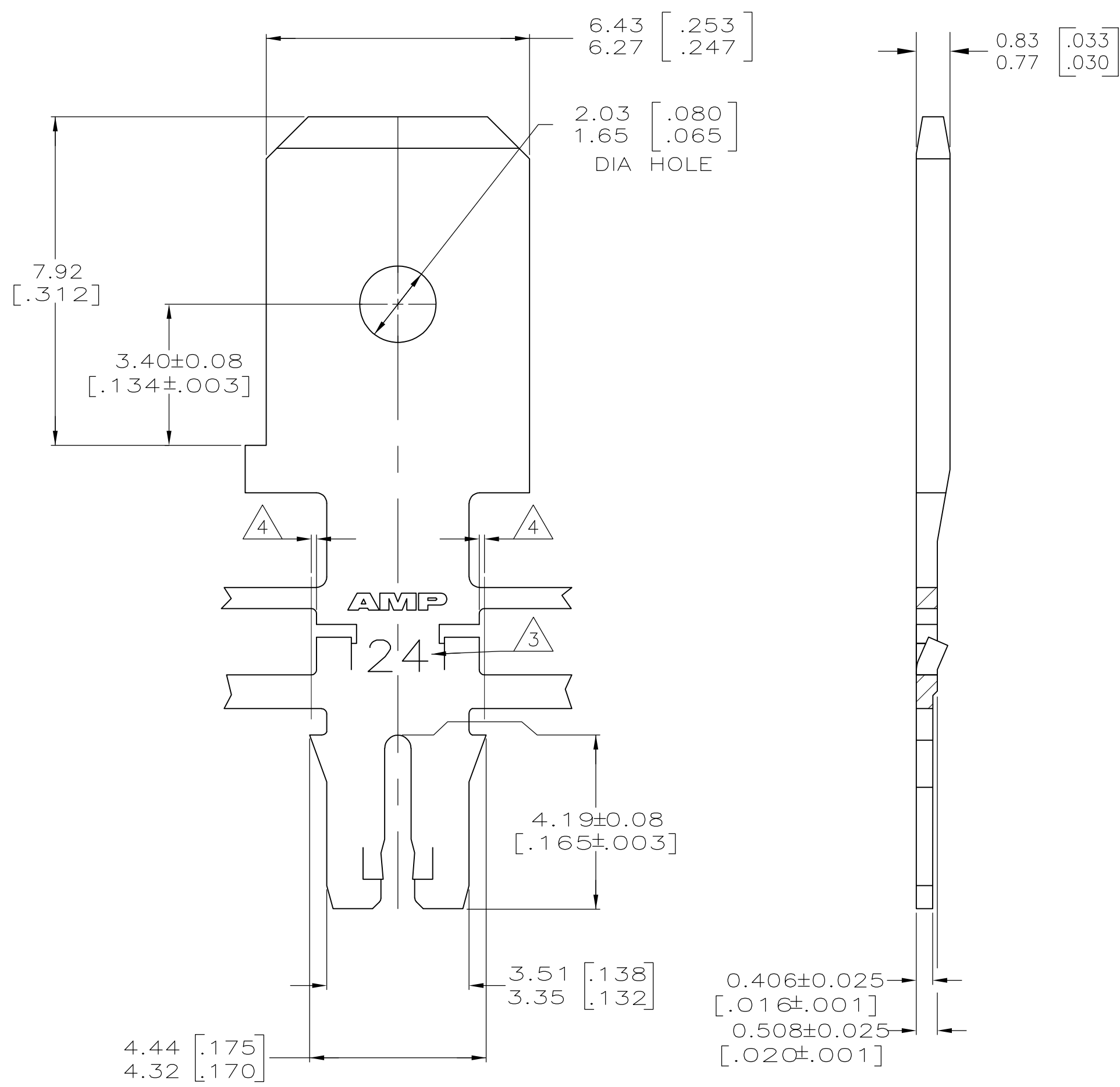
Address: A1208, Overseas Decoration Building, #122 Zhenhua RD., Futian, Shenzhen, China



THIS DRAWING IS UNPUBLISHED. RELEASED FOR PUBLICATION
 © COPYRIGHT BY TYCO ELECTRONICS CORPORATION. ALL RIGHTS RESERVED.

LOC	DIST	REVISIONS			
P	LTR	DESCRIPTION	DATE	DWN	APVD
AF	50	G1	ECR-15-005665	10AUG2015	BDA PKS

- 1 CONTINUOUS STRIP ON REELS WITH TERMINALS LOCATED ON 8.38±0.08 [.003±.003] CENTERS.
- 2 SLOT ACCEPTS 0.91-1.15mm [#19-#17] AWG COPPER MAGNET WIRE. SLOT ACCEPTS 0.95-1.15mm [#18.5-#17] AWG ALUMINUM MAGNET WIRE. ALUMINUM WIRE RANGE APPLIES FOR POST-TIN PLATED VERSIONS ONLY. ONE WIRE MAX PER SLOT
- 3 IDENTIFICATION NUMBER 24 FOR THE MAGNET WIRE SLOT SIZE
- 4 0.25[.010] MAX CARRIER CUT-OFF TABS
- 5 PRE-PRODUCTION - F.A.S.R. REQUIRED.



OBSOLETE	082 PRE-MILLED BRASS	5	63720-2
	4M PRE-MILLED BRASS		63720-1
MATERIAL		PART NUMBER	

THIS DRAWING IS A CONTROLLED DOCUMENT.		DWN	L.A.MAYER	9-27-93	TE connectivity
DIMENSIONS: mm [INCHES]		CHK	M.S. FEHER	9-27-93	
TOLERANCES UNLESS OTHERWISE SPECIFIED:		APVD	A. HUNT III	9-27-93	
0 PLC ± -		NAME		TAB, 6.35 [.250] FASTON™	RESTRICTED TO
1 PLC ± -		PRODUCT SPEC		MAG-MATE™ Slim Line	
2 PLC ± 0.13 [.005]		APPLICATION SPEC		108-1484	SIZE
3 PLC ± -		MATERIAL		114-2140	
4 PLC ± -		FINISH		0.002032 [.000080]	DRAWING NO
ANGLES ± -		MATERIAL		MIN TIN PLATE	00779
SEE TABLE		WEIGHT		-	63720
		CUSTOMER DRAWING			SCALE
					10:1
					SHEET
					1 of 1
					REV
					G1