



Chipsmall Limited consists of a professional team with an average of over 10 year of expertise in the distribution of electronic components. Based in Hongkong, we have already established firm and mutual-benefit business relationships with customers from,Europe,America and south Asia,supplying obsolete and hard-to-find components to meet their specific needs.

With the principle of "Quality Parts,Customers Priority,Honest Operation,and Considerate Service",our business mainly focus on the distribution of electronic components. Line cards we deal with include Microchip,ALPS,ROHM,Xilinx,Pulse,ON,Everlight and Freescale. Main products comprise IC,Modules,Potentiometer,IC Socket,Relay,Connector.Our parts cover such applications as commercial,industrial, and automotives areas.

We are looking forward to setting up business relationship with you and hope to provide you with the best service and solution. Let us make a better world for our industry!



Contact us

Tel: +86-755-8981 8866 Fax: +86-755-8427 6832

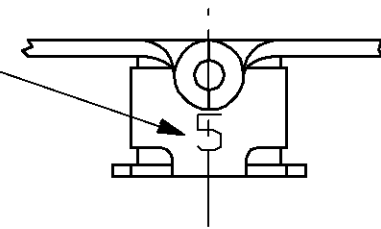
Email & Skype: info@chipsmall.com Web: www.chipsmall.com

Address: A1208, Overseas Decoration Building, #122 Zhenhua RD., Futian, Shenzhen, China

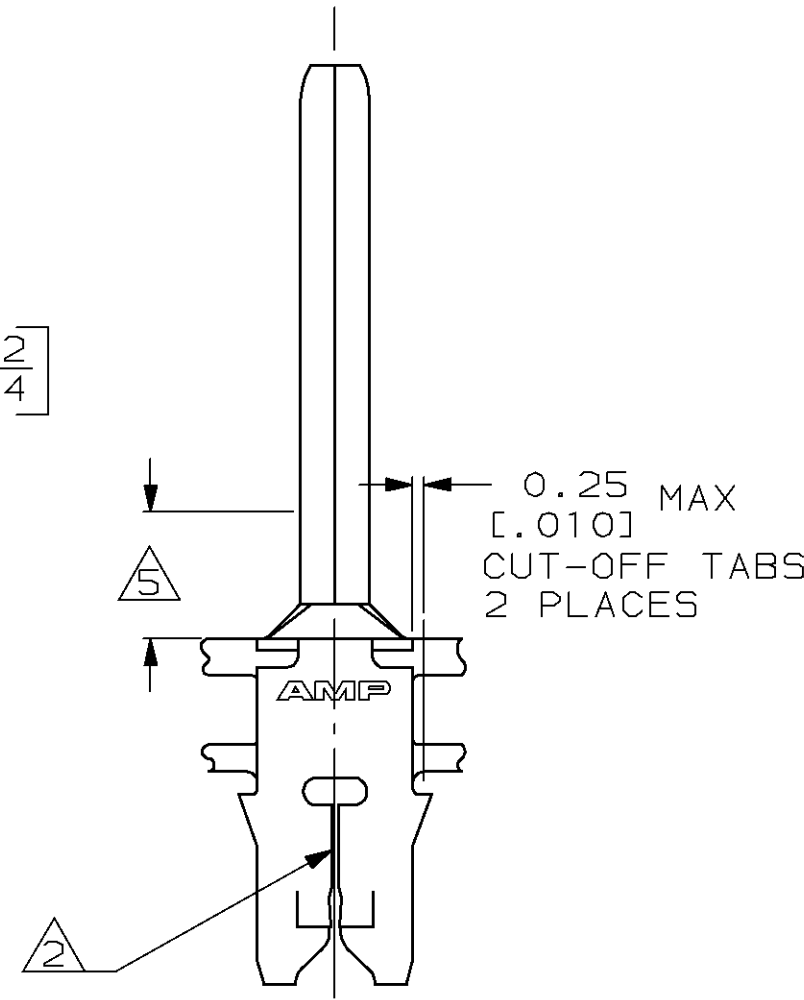
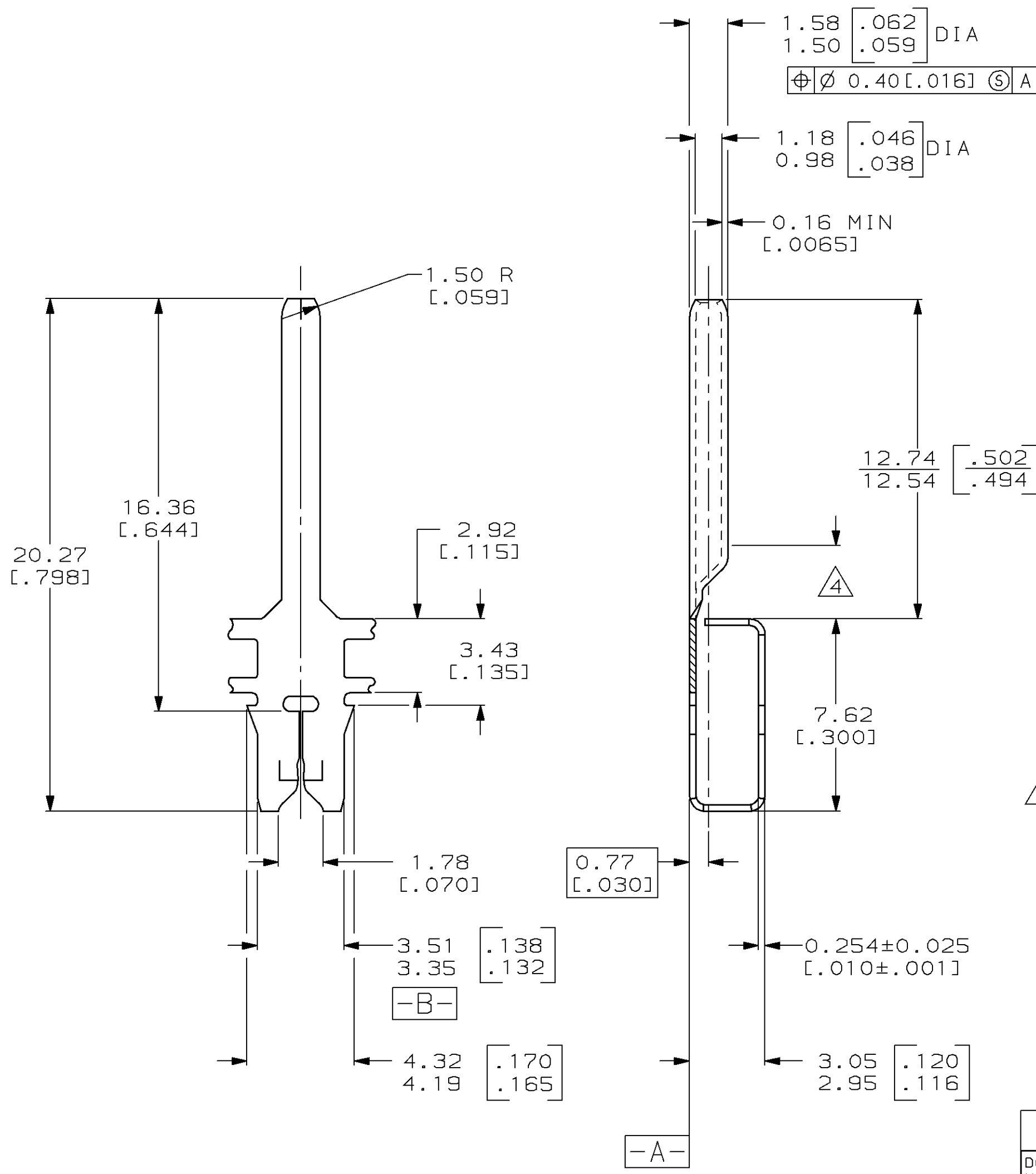


LOC		DIST		REVISIONS				
AF	50	P	F	ZONE	LTR	DESCRIPTION	DATE	APPD
					K	REVISE PER ECN 0G1A-0391-98	21NOV98	MF/KR

IDENTIFICATION NUMBER 5 FOR
MAGNET WIRE RANGE



- 1 CONTINUOUS STRIP ON REELS (NO SPLICES) WITH TERMINALS LOCATED ON 5.59±0.08 [.220±.003] CENTERS.
- 2 SLOT TERMINATES EITHER SINGLE OR DOUBLE COPPER MAGNET WIRES OF THE SAME SIZE, 0.23-0.32mm [#31-#28] AWG.
- 3 0.00203 [.000080]-0.00381 [.000150] PRE-TIN PL PER MIL-T-10727 OVER 0.00254 [.000100]-0.00508 [.000200] PRE-COPPER UNDERPLATE PER MIL-C-14550, WITH ANTI-CORROSION LUBE COATING.
- 4 2.90 [.114] MIN DISTANCE FOR BASE OF PIN TO BE CLOSED FOR INJECTION MOLDING.
- 5 2.80 [.110] MAX DISTANCE FOR TRANSITION FROM FLAT TO ROUND.



DO NOT SCALE PRINT. UNLESS SPECIFIED DIMENSIONS IN mm [INCHES] TOLERANCES ON:		DR 6/18/93 MICHAEL S. FEHER		AMP Incorporated Harrisburg, PA 17105-3608	
2 PLC DEC ± 0.25 [.010]		CHK 7/12/93 LORI A. MAYER			
3 PLC DEC ± -		APPD 7/12/93 KURT A. RANDOLPH		NAME	
ANGLES ± 1°		APPD 7/12/93 TERRY L. SHUTTER		PIN, 1.52 [.060] DIA, MAG-MATE™	
MATERIAL #4M BRASS		PRODUCT SPEC 108-2012		SIZE	CAGE CODE
FINISH		APPLICATION SPEC 114-2046		C	00779
WEIGHT -		SCALE 6:1		DRAWING NO G=63722	
				SHEET 1 OF 1	

THIS DRAWING IS A CONTROLLED DOCUMENT FOR AMP INCORPORATED. IT IS SUBJECT TO CHANGE AND THE CONTROLLING ENGINEERING ORGANIZATION SHOULD BE CONTACTED FOR THE LATEST REVISION.