



Chipsmall Limited consists of a professional team with an average of over 10 year of expertise in the distribution of electronic components. Based in Hongkong, we have already established firm and mutual-benefit business relationships with customers from,Europe,America and south Asia,supplying obsolete and hard-to-find components to meet their specific needs.

With the principle of “Quality Parts,Customers Priority,Honest Operation,and Considerate Service”,our business mainly focus on the distribution of electronic components. Line cards we deal with include Microchip,ALPS,ROHM,Xilinx,Pulse,ON,Everlight and Freescale. Main products comprise IC,Modules,Potentiometer,IC Socket,Relay,Connector.Our parts cover such applications as commercial,industrial, and automotives areas.

We are looking forward to setting up business relationship with you and hope to provide you with the best service and solution. Let us make a better world for our industry!



## Contact us

Tel: +86-755-8981 8866 Fax: +86-755-8427 6832

Email & Skype: info@chipsmall.com Web: www.chipsmall.com

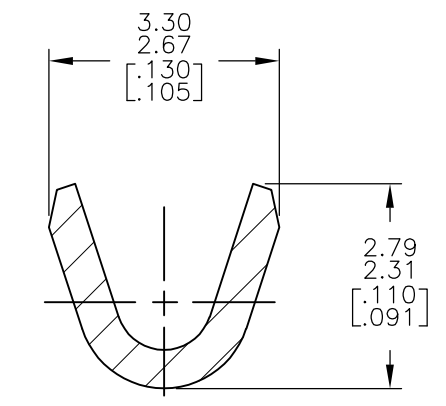
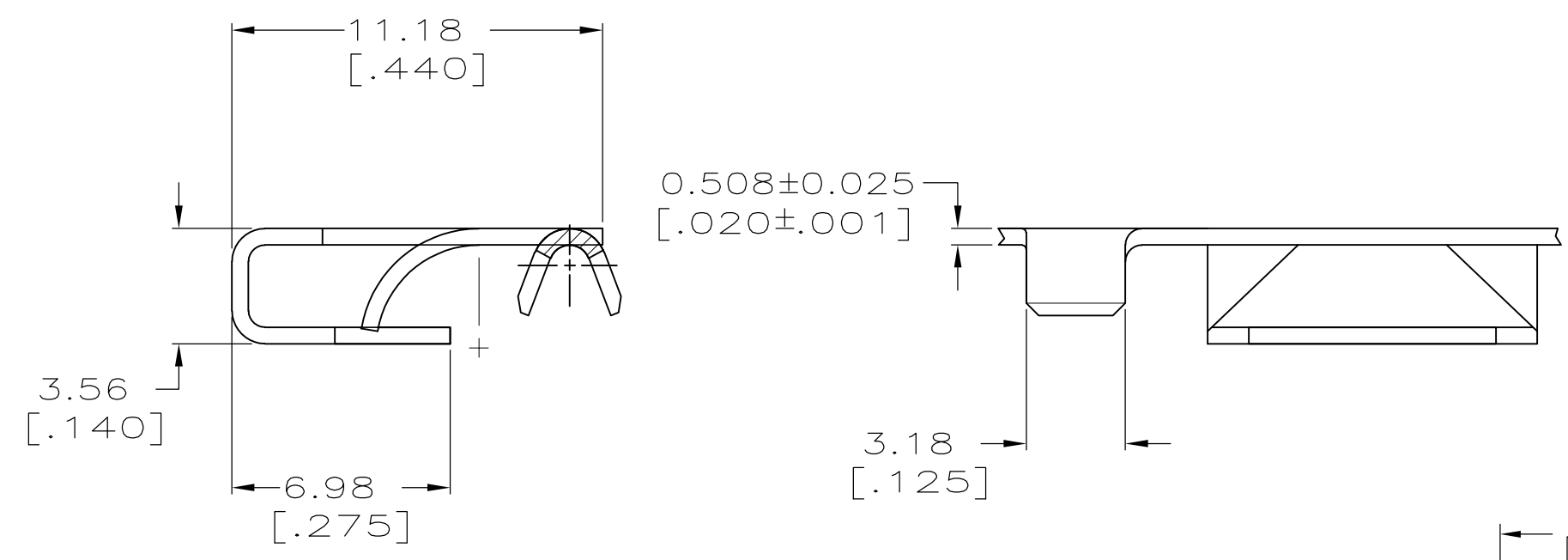
Address: A1208, Overseas Decoration Building, #122 Zhenhua RD., Futian, Shenzhen, China



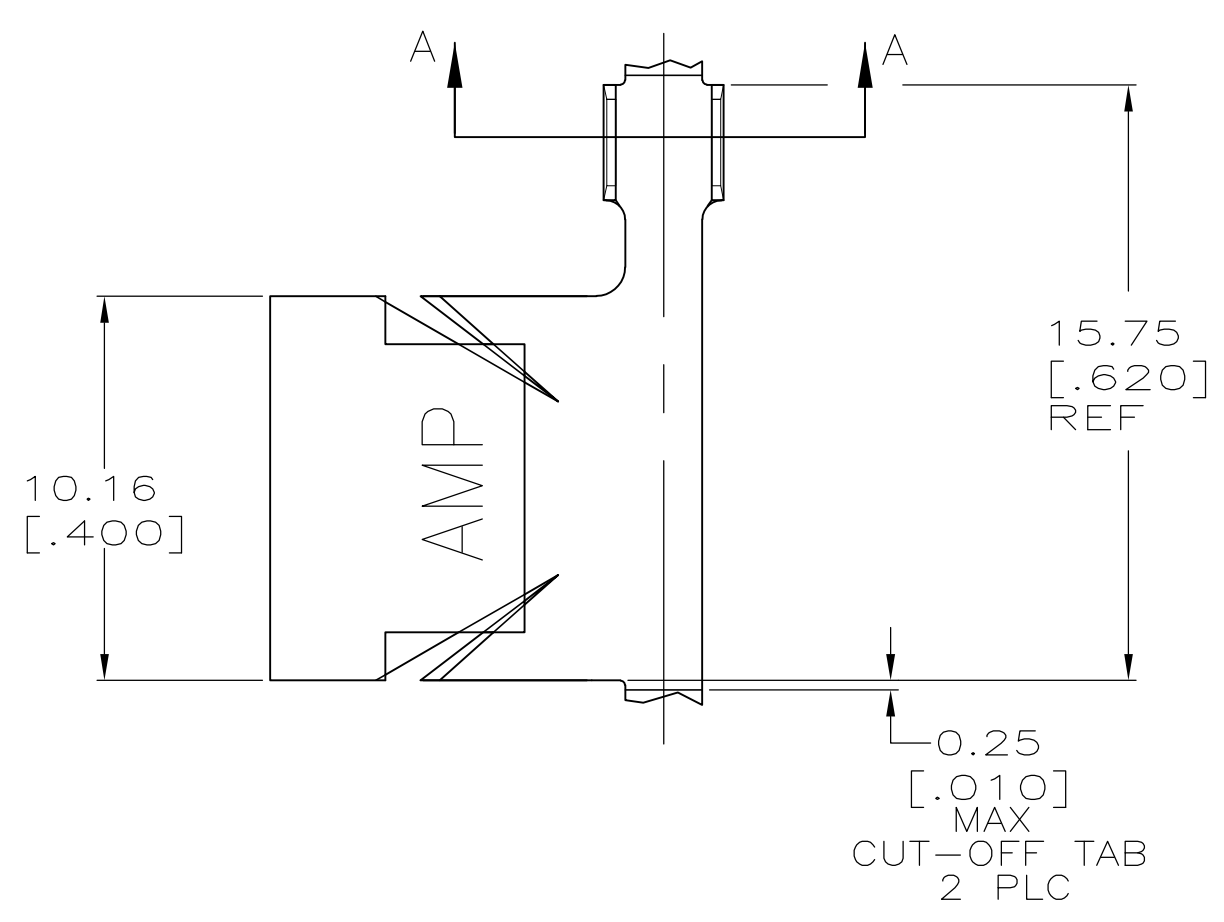
THIS DRAWING IS UNPUBLISHED. RELEASED FOR PUBLICATION  
 © COPYRIGHT BY TYCO ELECTRONICS CORPORATION. ALL RIGHTS RESERVED.

LOC	DIST	REVISIONS			
P	LTR	DESCRIPTION	DATE	DWN	APVD
	G2	REVISED PER ECO-09-019597	26AUG09	RG	MS

- 1. CONTINUOUS STRIP ON REEL.
- ② WIRE SIZE IS [22-18] AWG.
- ③ PRELIMINARY - NOT FOR PRODUCTION



SECTION A-A  
 SCALE 10:1  
 -1 THRU -3



OBSOLETE	MATERIAL	PART NO.
②	UNS G10080 TEMP 2 STEEL	63733-4
②	UNS C52100 H04 PHOS BRZ	63733-3
③	UNS C26000 H06 BRASS	63733-2
②	UNS G10080 TEMP 2 STEEL	63733-1

THIS DRAWING IS A CONTROLLED DOCUMENT.		DWN PHIL FORTNEY 8/3/93	Tyco Electronics Corporation Harrisburg, PA 17105-3608		
DIMENSIONS: MM [INCHES]		CHK JR RUTH 8/3/93	NAME CLIP, GROUNDING		
TOLERANCES UNLESS OTHERWISE SPECIFIED:		APVD R KUZO 8/3/93	PRODUCT SPEC -		
0 PLC ± -		APPLICATION SPEC -			
1 PLC ± -		SIZE A3			
2 PLC ± 0.25 [.010]		CAGE CODE 00779			
3 PLC ± -		DRAWING NO G-63733			
4 PLC ± -		RESTRICTED TO -			
ANGLES ± -		WEIGHT -			
MATERIAL SEE TABLE		CUSTOMER DRAWING			
FINISH 0.002032 [.000080]MIN TIN		SCALE 5:1			
		SHEET 1 OF 1			
		REV G2			