



Chipsmall Limited consists of a professional team with an average of over 10 year of expertise in the distribution of electronic components. Based in Hongkong, we have already established firm and mutual-benefit business relationships with customers from,Europe,America and south Asia,supplying obsolete and hard-to-find components to meet their specific needs.

With the principle of “Quality Parts,Customers Priority,Honest Operation,and Considerate Service”,our business mainly focus on the distribution of electronic components. Line cards we deal with include Microchip,ALPS,ROHM,Xilinx,Pulse,ON,Everlight and Freescale. Main products comprise IC,Modules,Potentiometer,IC Socket,Relay,Connector.Our parts cover such applications as commercial,industrial, and automotives areas.

We are looking forward to setting up business relationship with you and hope to provide you with the best service and solution. Let us make a better world for our industry!



Contact us

Tel: +86-755-8981 8866 Fax: +86-755-8427 6832

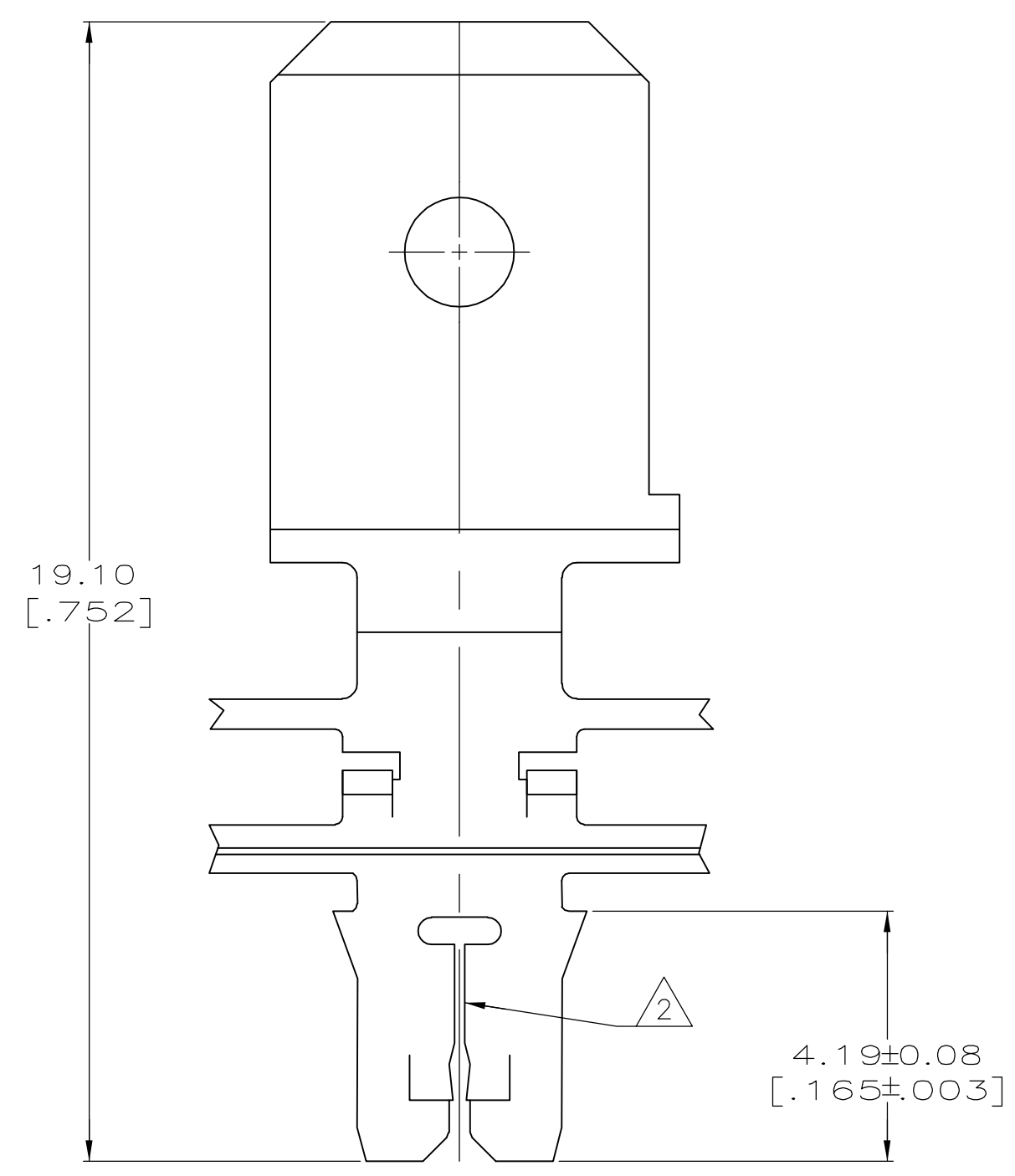
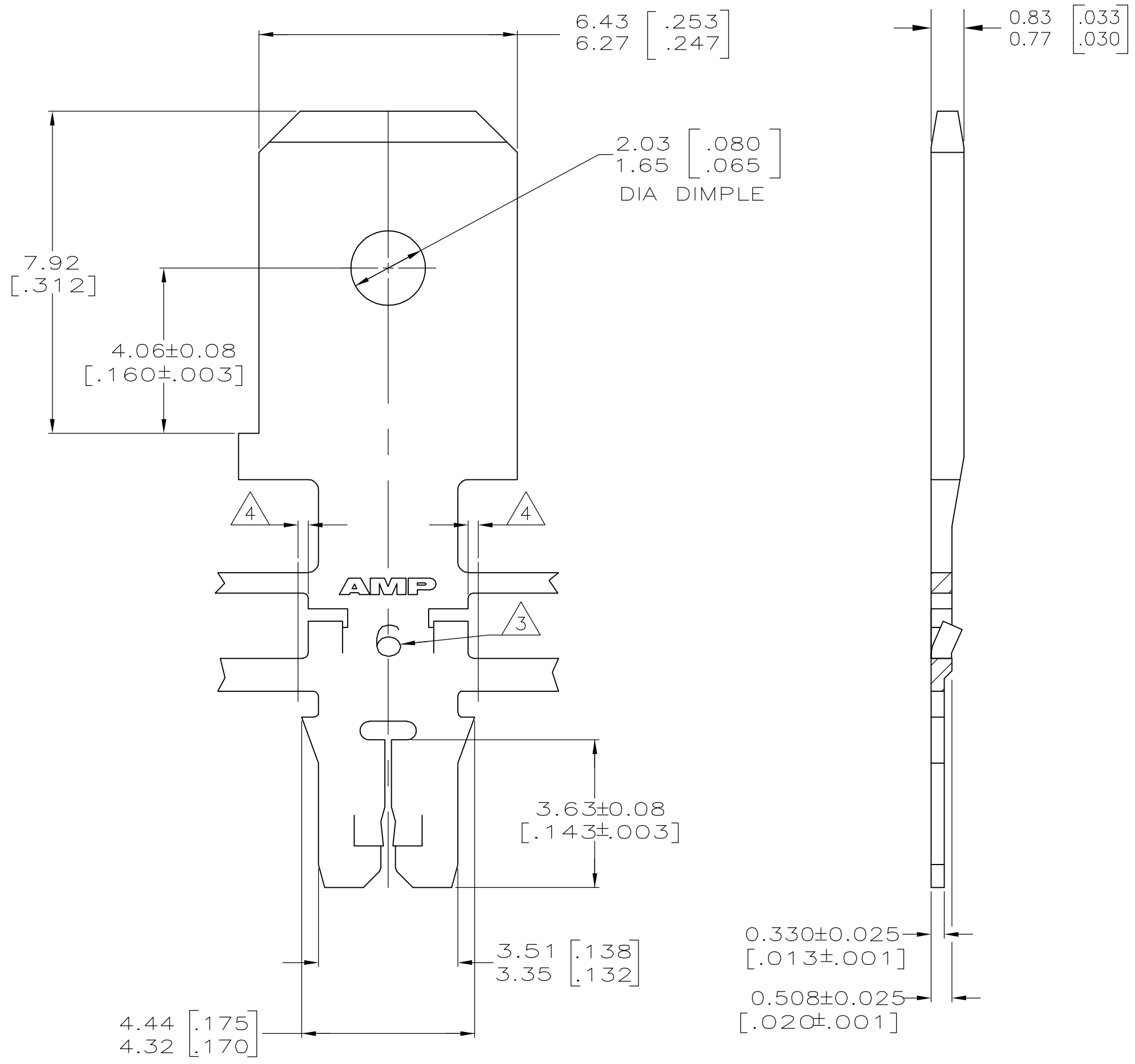
Email & Skype: info@chipsmall.com Web: www.chipsmall.com

Address: A1208, Overseas Decoration Building, #122 Zhenhua RD., Futian, Shenzhen, China



LOC	DIST	REVISIONS			
P	LTR	DESCRIPTION	DATE	DWN	APVD
AF	50	H	REVISED PER ECR-06-010423	22SEP06	HMR KR

- 1 CONTINUOUS STRIP ON REELS WITH TERMINALS LOCATED ON 8.38 ± 0.08 [.330 ± .003] CENTERS
- 2 SLOT ACCEPTS 0.25–0.32mm [#30–#28] AWG COPPER MAGNET WIRE. TWO WIRES OF THE SAME SIZE MAX PER SLOT
- 3 IDENTIFICATION NUMBER 6 FOR THE MAGNET WIRE SLOT SIZE
- 4 0.25 [.010] MAX CARRIER CUT-OFF TABS.



OBsolete	082 PRE-MILLED BRASS	63743-2
	4M PRE-MILLED BRASS	63743-1
	MATERIAL	PART NO

THIS DRAWING IS A CONTROLLED DOCUMENT.		DWN L.A.MAYER 9-1-93	Tyco Electronics Corporation	
DIMENSIONS: mm [INCHES]		CHK M.S. FEHER 9-1-93	Harrisburg, PA 17105-3608	
TOLERANCES UNLESS OTHERWISE SPECIFIED:		APVD A.HUNT III 9-1-93	NAME	
0 PLC ± -	1 PLC ± -	PRODUCT SPEC	TAB, 6.35 [.250] FASTON,™	
2 PLC ± 0.13 [.005]	3 PLC ± -	APPLICATION SPEC	MAG-MATE™ Slim Line	
4 PLC ± -	ANGLES ± -	114-2140	SIZE A2	CAGE CODE 00779
MATERIAL SEE TABLE	FINISH 0.002032 [.000080] MIN TIN PLATE	WEIGHT -	DRAWING NO	RESTRICTED TO
		CUSTOMER DRAWING	63743	-
		SCALE 10:1	SHEET 1 of 1	REV H