



Chipsmall Limited consists of a professional team with an average of over 10 year of expertise in the distribution of electronic components. Based in Hongkong, we have already established firm and mutual-benefit business relationships with customers from,Europe,America and south Asia,supplying obsolete and hard-to-find components to meet their specific needs.

With the principle of “Quality Parts,Customers Priority,Honest Operation,and Considerate Service”,our business mainly focus on the distribution of electronic components. Line cards we deal with include Microchip,ALPS,ROHM,Xilinx,Pulse,ON,Everlight and Freescale. Main products comprise IC,Modules,Potentiometer,IC Socket,Relay,Connector.Our parts cover such applications as commercial,industrial, and automotives areas.

We are looking forward to setting up business relationship with you and hope to provide you with the best service and solution. Let us make a better world for our industry!



## Contact us

Tel: +86-755-8981 8866 Fax: +86-755-8427 6832

Email & Skype: info@chipsmall.com Web: www.chipsmall.com

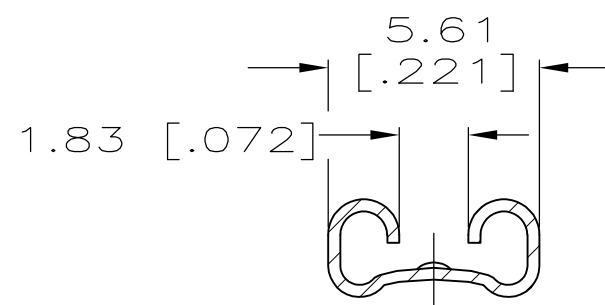
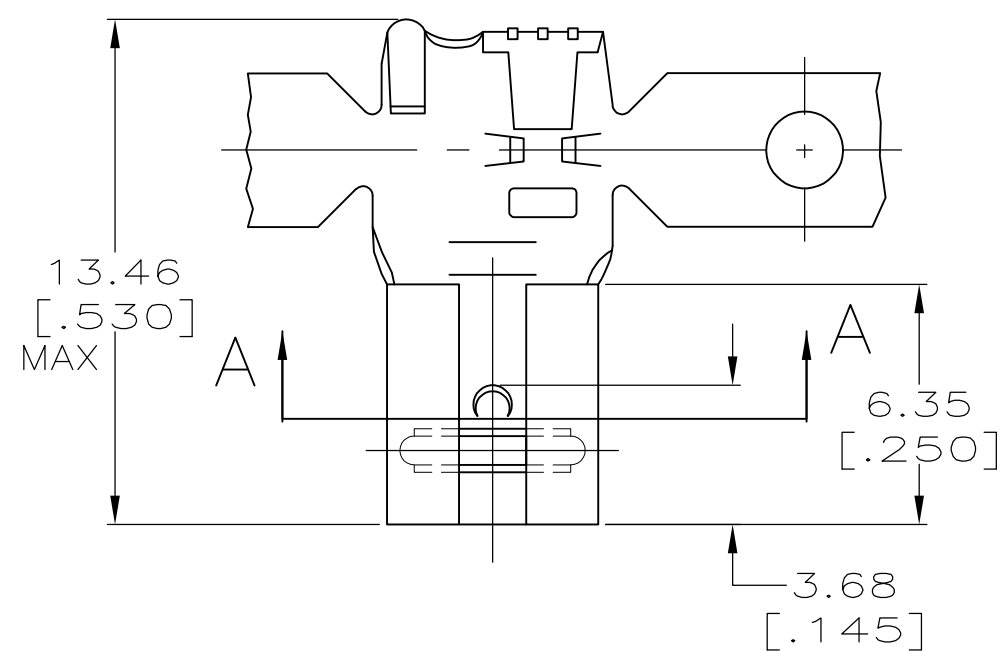
Address: A1208, Overseas Decoration Building, #122 Zhenhua RD., Futian, Shenzhen, China



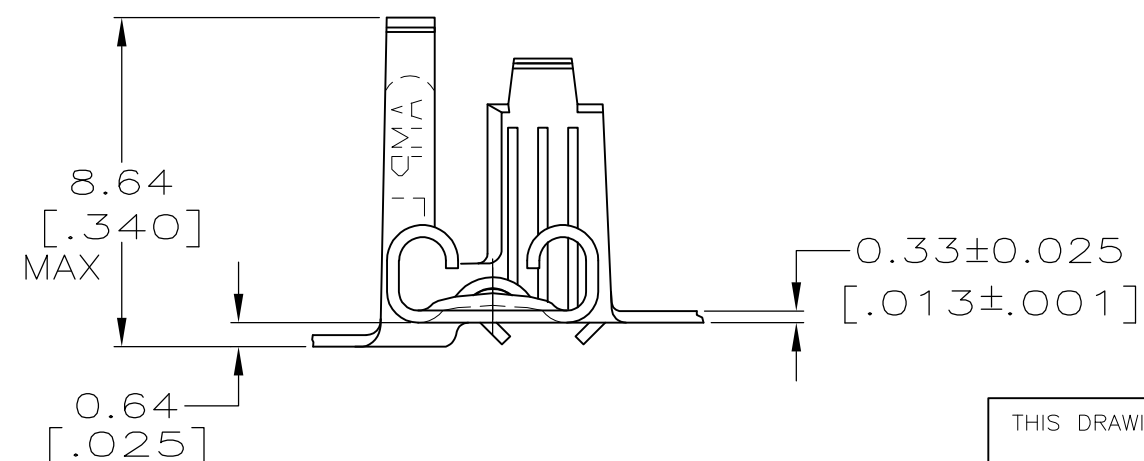
THIS DRAWING IS UNPUBLISHED. RELEASED FOR PUBLICATION  
 © COPYRIGHT - By - ALL RIGHTS RESERVED.

LOC	DIST	REVISIONS					
		P	LTR	DESCRIPTION	DATE	DWN	APVD
AF	50		F	REVISED PER ECR-12-013518	23NOV2012	KH	PD

- 1 CONTINUOUS STRIP ON REELS.
- 2 ACCEPTS [#20-#16] AWG. WIRE SIZE
- 3 INSULATION RANGE TO BE 2.79-4.32 [.110-.170] DIA
- 4 FEED IS 16.38±0.13 [.645±.005]
- 5 MATING TAB THK IS 0.81±0.025 [.032±.001].
- △ 6 PREPRODUCTION - FASR REQUIRED



SECTION A-A



TIN	H04 PHOS BRONZE	△ 6 63748-3
TIN	BRASS	63748-2
---	BRASS	63748-1
FINISH	MATERIAL	PART NO.

THIS DRAWING IS A CONTROLLED DOCUMENT.		DWN	JR RUTH	7/27/93	<b>TE Connectivity</b>		
DIMENSIONS: mm [INCHES]		CHK	MS FEHER	7/27/93			
TOLERANCES UNLESS OTHERWISE SPECIFIED:		APVD	R KUZO	7/27/93	PRODUCT SPEC APPLICATION SPEC RESTRICTED TO		
0 PLC ± - 1 PLC ± - 2 PLC ± 0.25 [.010] 3 PLC ± - 4 PLC ± - ANGLES ± -		WEIGHT		-			
MATERIAL SEE TABLE		FINISH SEE TABLE		CUSTOMER DRAWING		CAGE CODE 00779	
				SCALE		DRAWING NO C-63748	
				5:1		SHEET 1 OF 1	
						REV F	