



Chipsmall Limited consists of a professional team with an average of over 10 year of expertise in the distribution of electronic components. Based in Hongkong, we have already established firm and mutual-benefit business relationships with customers from,Europe,America and south Asia,supplying obsolete and hard-to-find components to meet their specific needs.

With the principle of “Quality Parts,Customers Priority,Honest Operation,and Considerate Service”,our business mainly focus on the distribution of electronic components. Line cards we deal with include Microchip,ALPS,ROHM,Xilinx,Pulse,ON,Everlight and Freescale. Main products comprise IC,Modules,Potentiometer,IC Socket,Relay,Connector.Our parts cover such applications as commercial,industrial, and automotives areas.

We are looking forward to setting up business relationship with you and hope to provide you with the best service and solution. Let us make a better world for our industry!



Contact us

Tel: +86-755-8981 8866 Fax: +86-755-8427 6832

Email & Skype: info@chipsmall.com Web: www.chipsmall.com

Address: A1208, Overseas Decoration Building, #122 Zhenhua RD., Futian, Shenzhen, China



4

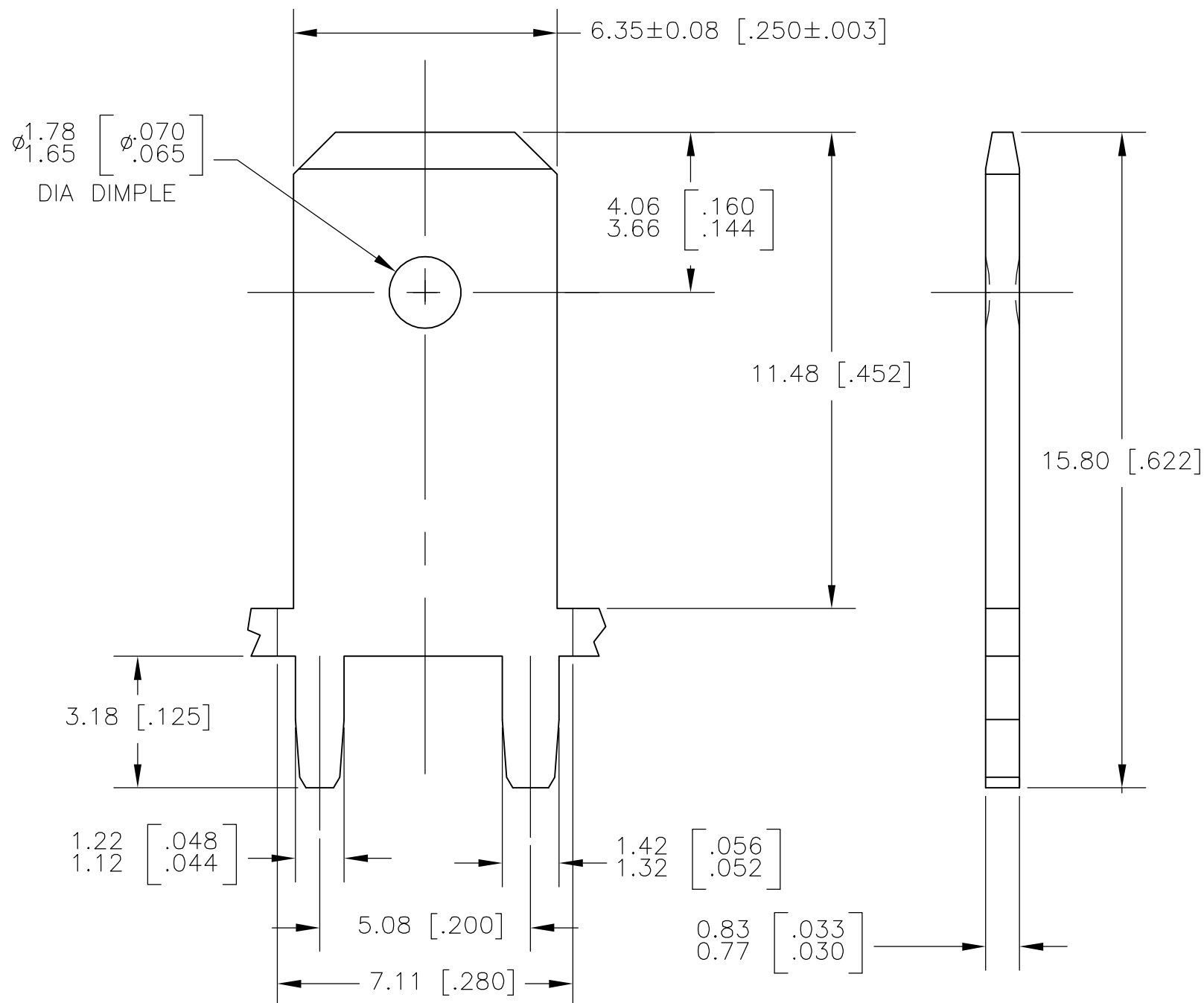
3

2

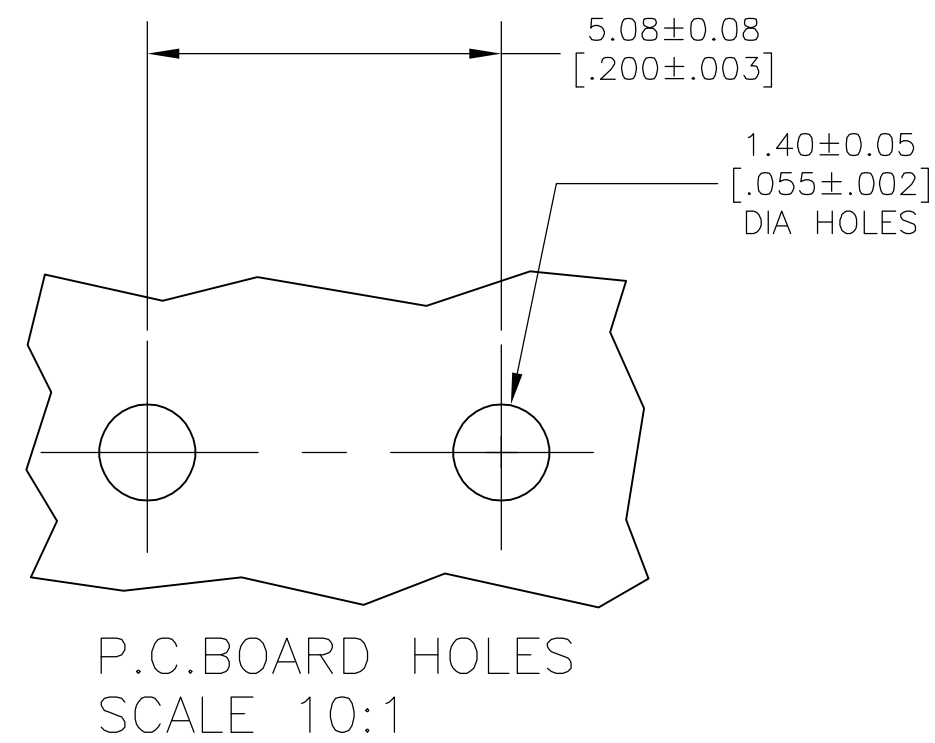
1

THIS DRAWING IS UNPUBLISHED. RELEASED FOR PUBLICATION -,-
 © COPYRIGHT BY TYCO ELECTRONICS CORPORATION. ALL RIGHTS RESERVED.

LOC		DIST		REVISIONS					
AF		50		P	LTR	DESCRIPTION	DATE	DWN	APVD
					E	REV PER ECR-05-017407	14APR06	HMR	KR



1 CONTINUOUS STRIP ON REELS.
 2 0.00381 [.000150] MIN TIN OVER
 0.00254 [.000100] MIN THK COPPER.



63755-1
PART NUMBER

THIS DRAWING IS A CONTROLLED DOCUMENT.		DWN	JR RUTH	30NOV00	tyco Electronics	Tyco Electronics Corporation Harrisburg, PA 17105-3608				
DIMENSIONS: mm [INCHES]		CHK	MS FEHER	30NOV00		NAME				
TOLERANCES UNLESS OTHERWISE SPECIFIED:		APVD	G PORTA	30NOV00	TAB, FASTON, PC BOARD, 6.35 [.250] SERIES					
0 PLC ± -		PRODUCT SPEC	-			SIZE	CAGE CODE	DRAWING NO	RESTRICTED TO	
1 PLC ± -		APPLICATION SPEC	-			A3	00779	C-63755	-	
2 PLC ± 0.38 [.015]		WEIGHT	-			SCALE		SHEET	REV	
3 PLC ± -		CUSTOMER DRAWING	-			8:1		1 OF 1	E	
4 PLC ± -		MATERIAL		FINISH						
ANGLES ± -		082 BRASS		TIN OVER COPPER						