



Chipsmall Limited consists of a professional team with an average of over 10 year of expertise in the distribution of electronic components. Based in Hongkong, we have already established firm and mutual-benefit business relationships with customers from,Europe,America and south Asia,supplying obsolete and hard-to-find components to meet their specific needs.

With the principle of “Quality Parts,Customers Priority,Honest Operation,and Considerate Service”,our business mainly focus on the distribution of electronic components. Line cards we deal with include Microchip,ALPS,ROHM,Xilinx,Pulse,ON,Everlight and Freescale. Main products comprise IC,Modules,Potentiometer,IC Socket,Relay,Connector.Our parts cover such applications as commercial,industrial, and automotives areas.

We are looking forward to setting up business relationship with you and hope to provide you with the best service and solution. Let us make a better world for our industry!



## Contact us

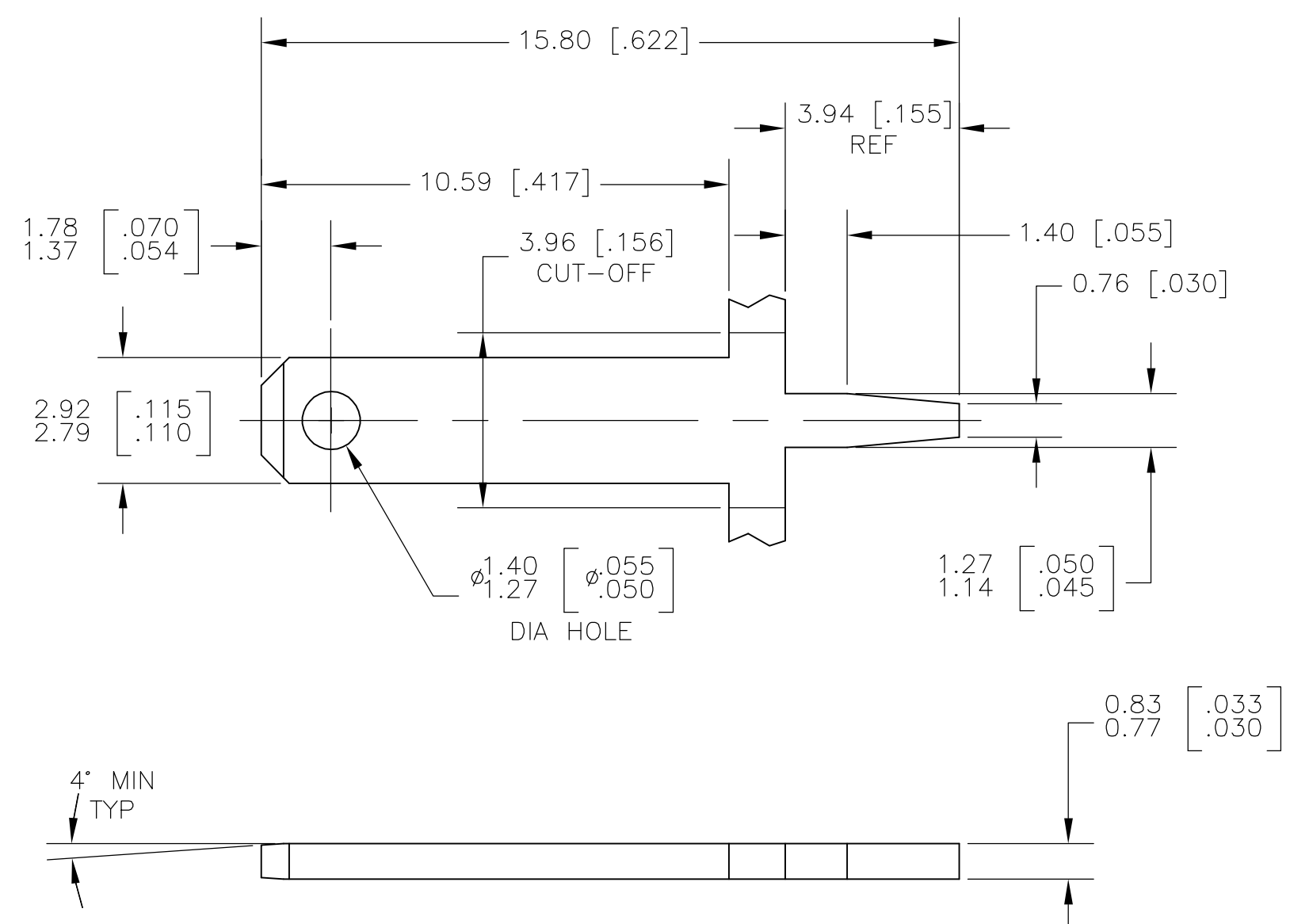
Tel: +86-755-8981 8866 Fax: +86-755-8427 6832

Email & Skype: info@chipsmall.com Web: www.chipsmall.com

Address: A1208, Overseas Decoration Building, #122 Zhenhua RD., Futian, Shenzhen, China



LOC	DIST	REVISIONS					
AF	50	P	LTR	DESCRIPTION	DATE	DWN	APVD
			F	REV PER ECR-05-017407	14APR06	HMR	KR



- 1 CONTINUOUS STRIP ON REELS
- 2 SOLDER TINE PLATED TO COMPLY WITH SOLDERABILITY SPEC IEC 60512-12-1.
- 3 FITS .048/.044 DIA HOLE IN PC BOARD. WHEN PLATED THRU HOLES ARE TO BE USED, ADJUSTMENT TO THE HOLE DIAMETERS SHOULD BE MADE TO ALLOW FOR THE PLATING.
- △4 0.00381 [.000150] MIN TIN PLATE OVER 0.00254 [.000100] MIN COPPER.
- △5 .000150 MIN NICKEL PLATE.
- △6 PRELIMINARY - NOT FOR PRODUCTION.

△5	TEMPER 3 STEEL	△6	63756-2
△4	082 BRASS		63756-1
FINISH	MATERIAL	PART NO.	
DWN	JR RUTH	12DEC00	
CHK	MS FEHER	12DEC00	
APVD	G PORTA	12DEC00	
PRODUCT SPEC	NAME		
APPLICATION SPEC	TAB, FASTON, P.C.BOARD, 2.79 [.110] SERIES		
114-2115	SIZE	CAGE CODE	DRAWING NO
WEIGHT	A3	00779	C-63756
CUSTOMER DRAWING	SCALE	SHEET	REV
	8:1	1 OF 1	F

THIS DRAWING IS A CONTROLLED DOCUMENT.	
DIMENSIONS: mm [INCHES]	TOLERANCES UNLESS OTHERWISE SPECIFIED:
	0 PLC ± -
	1 PLC ± -
	2 PLC ± 0.25 [.010]
	3 PLC ± -
	4 PLC ± -
	ANGLES ± -
MATERIAL SEE TABLE	FINISH SEE TABLE