



Chipsmall Limited consists of a professional team with an average of over 10 year of expertise in the distribution of electronic components. Based in Hongkong, we have already established firm and mutual-benefit business relationships with customers from,Europe,America and south Asia,supplying obsolete and hard-to-find components to meet their specific needs.

With the principle of "Quality Parts,Customers Priority,Honest Operation,and Considerate Service",our business mainly focus on the distribution of electronic components. Line cards we deal with include Microchip,ALPS,ROHM,Xilinx,Pulse,ON,Everlight and Freescale. Main products comprise IC,Modules,Potentiometer,IC Socket,Relay,Connector.Our parts cover such applications as commercial,industrial, and automotives areas.

We are looking forward to setting up business relationship with you and hope to provide you with the best service and solution. Let us make a better world for our industry!



Contact us

Tel: +86-755-8981 8866 Fax: +86-755-8427 6832

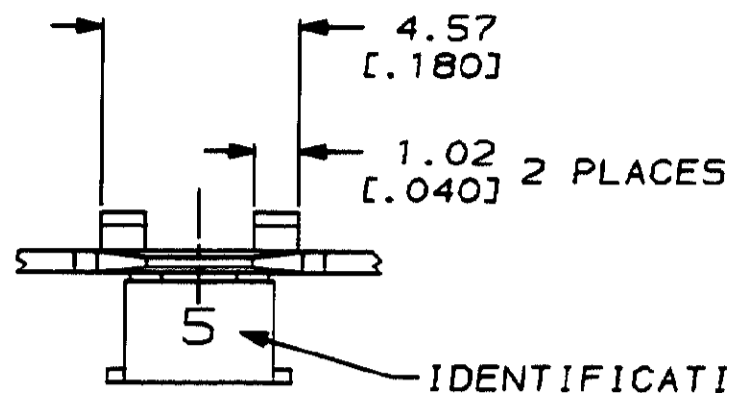
Email & Skype: info@chipsmall.com Web: www.chipsmall.com

Address: A1208, Overseas Decoration Building, #122 Zhenhua RD., Futian, Shenzhen, China



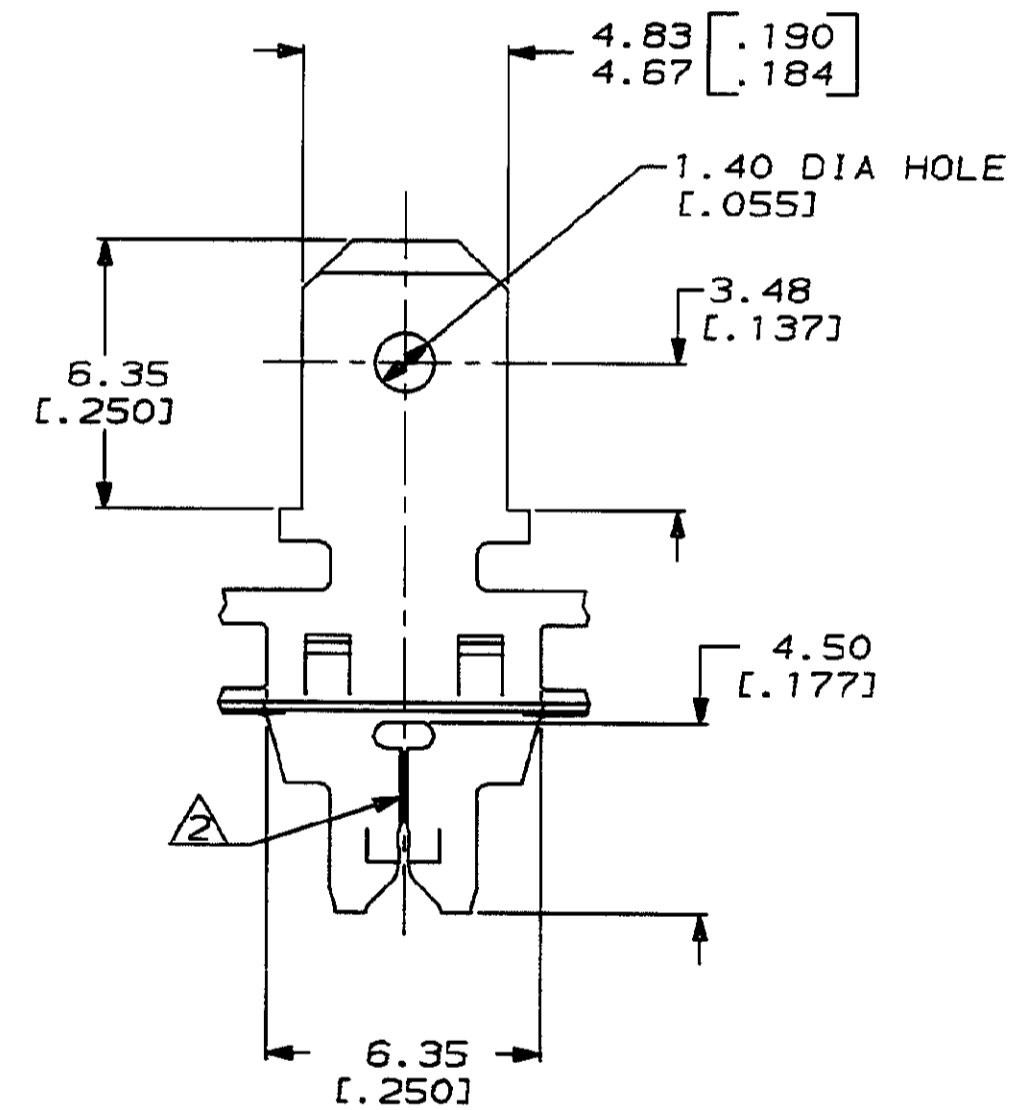
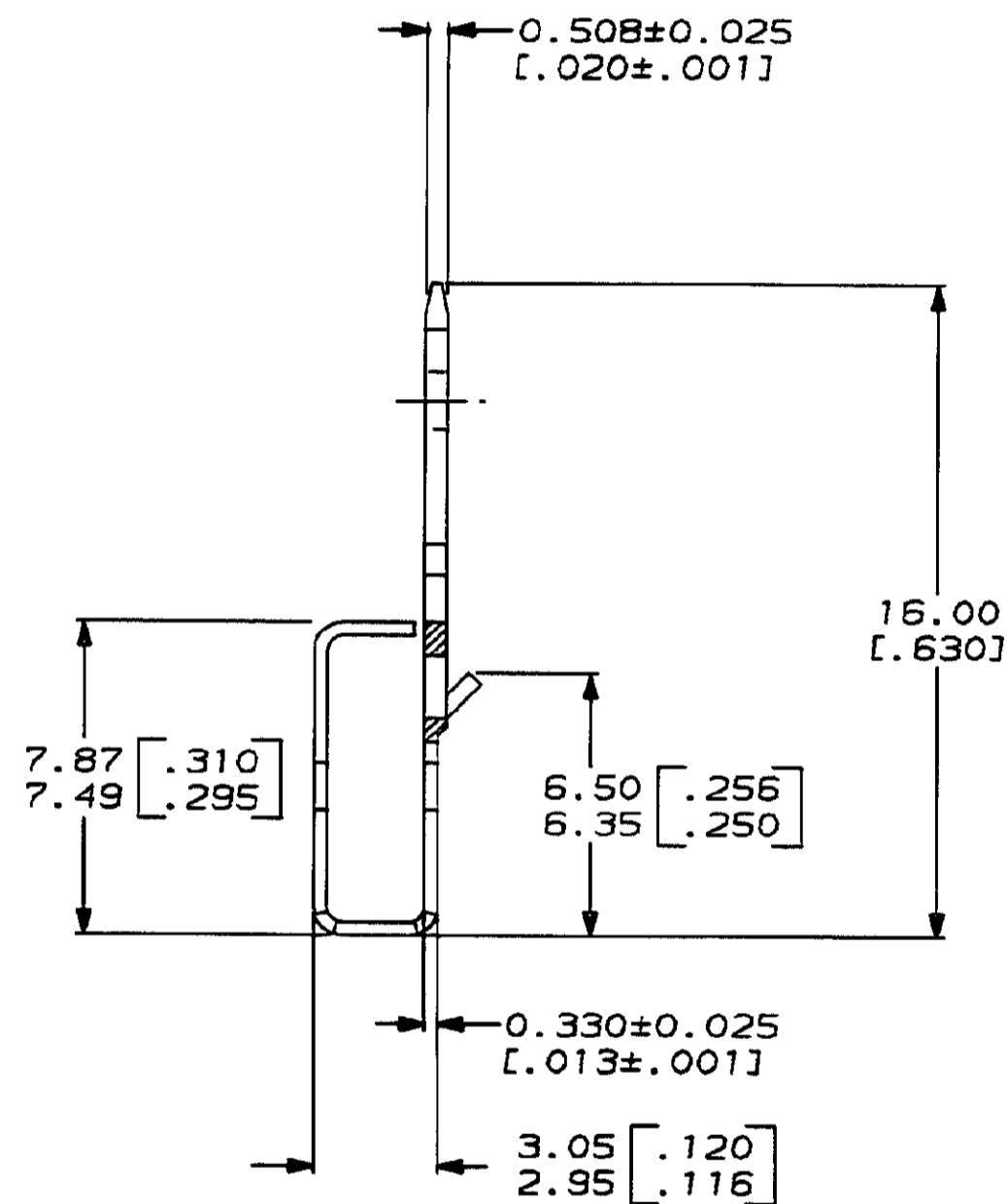
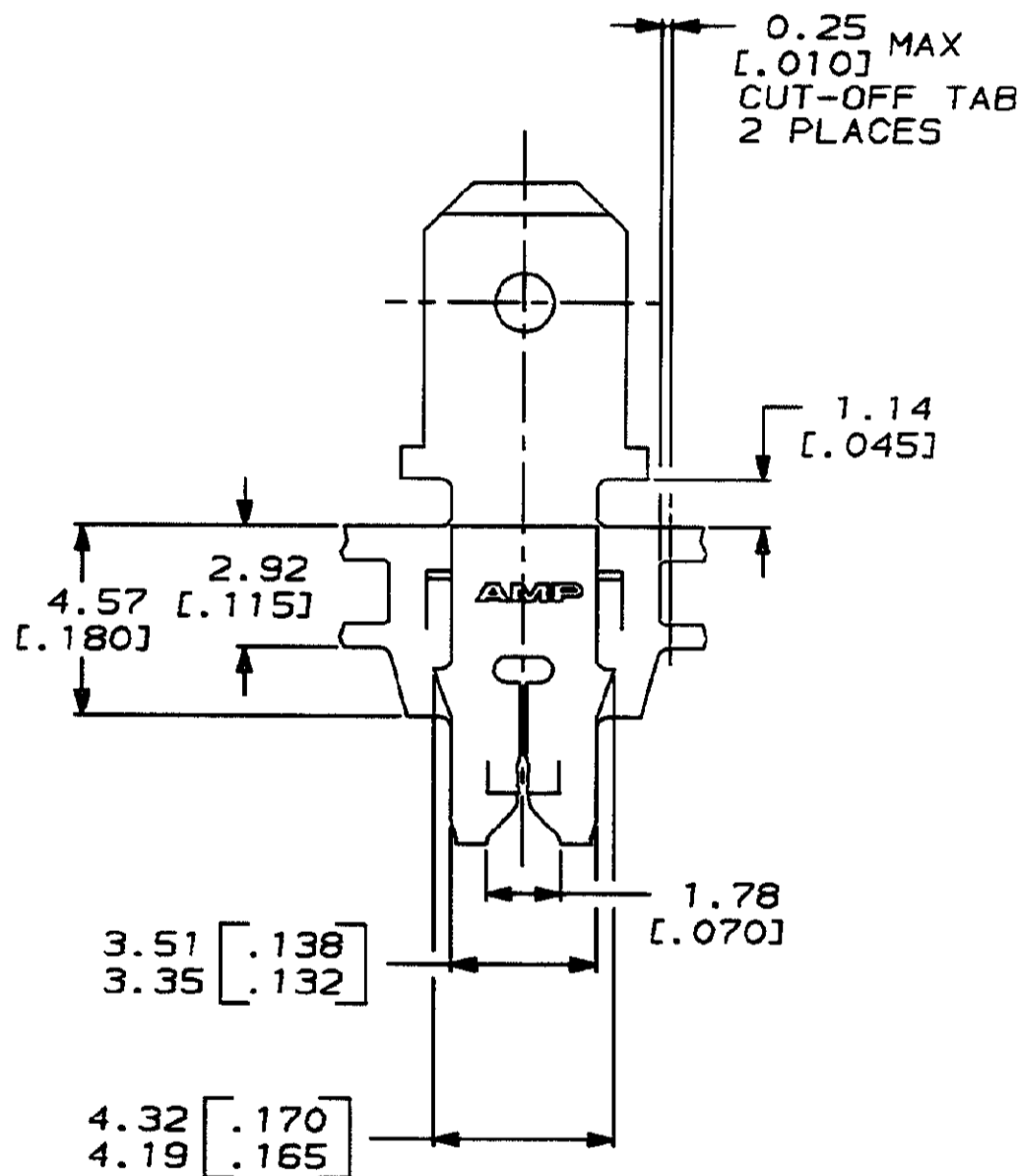
THIS DRAWING IS UNPUBLISHED. RELEASED FOR PUBLICATION .19
 © COPYRIGHT 19 BY AMP INCORPORATED. ALL INTERNATIONAL RIGHTS RESERVED.

LOC	DIST	ZONE	LTR	DESCRIPTION	DATE	APPD
AF	50		A	REL TO PRODUCTION 0710-0037-94	04/APR/94	MF/NN



IDENTIFICATION NUMBER 5 FOR MAGNET WIRE RANGE

1 CONTINUOUS STRIP ON REELS WITH TERMINALS LOCATED ON 8.38 ± 0.08 [.330 ± .003] CENTERS.
 ⚠ SLOTTED TERMINALS EITHER A SINGLE OR DOUBLE MAGNET WIRES OF THE SAME TYPE AND SIZE.
 COPPER RANGE: 0.23-0.32mm [#31-#28] AWG.



63760

DO NOT SCALE PRINT. UNLESS SPECIFIED DIMENSIONS IN mm [INCHES] TOLERANCES ON: 2 PLC DEC ± 0.25 [.010] 3 PLC DEC ± - ANGLES ± -		DR 04/DEC/93 MICHAEL S. FEHER		PART NO 63760-1	
MATERIAL 4M PRE-MILLED BRASS		CHK 06/DEC/93 PHILLIP M. FORTNEY		AMP AMP Incorporated Harrisburg, PA 17105-3608	
FINISH 0.002032 [.000080] MIN TIN PER MIL-T-10727		APPD 07/DEC/93 NELSON E. NEFF		NAME TAB, 4.75 [.187] FASTON™ MAG-MATE™	
APPLICATION SPEC 114-2094		APPD 07/DEC/93 TERRY L. SHUTTER		DRAWING NO C=63760	
WEIGHT -		PRODUCT SPEC 108-2012		SIZE C	
		SCALE 6:1		CAGE CODE 00779	
				SHEET 1 OF 1	

THIS DRAWING IS A CONTROLLED DOCUMENT FOR AMP INCORPORATED. IT IS SUBJECT TO CHANGE AND THE CONTROLLING ENGINEERING ORGANIZATION SHOULD BE CONTACTED FOR THE LATEST REVISION.