



Chipsmall Limited consists of a professional team with an average of over 10 year of expertise in the distribution of electronic components. Based in Hongkong, we have already established firm and mutual-benefit business relationships with customers from,Europe,America and south Asia,supplying obsolete and hard-to-find components to meet their specific needs.

With the principle of “Quality Parts,Customers Priority,Honest Operation,and Considerate Service”,our business mainly focus on the distribution of electronic components. Line cards we deal with include Microchip,ALPS,ROHM,Xilinx,Pulse,ON,Everlight and Freescale. Main products comprise IC,Modules,Potentiometer,IC Socket,Relay,Connector.Our parts cover such applications as commercial,industrial, and automotives areas.

We are looking forward to setting up business relationship with you and hope to provide you with the best service and solution. Let us make a better world for our industry!



Contact us

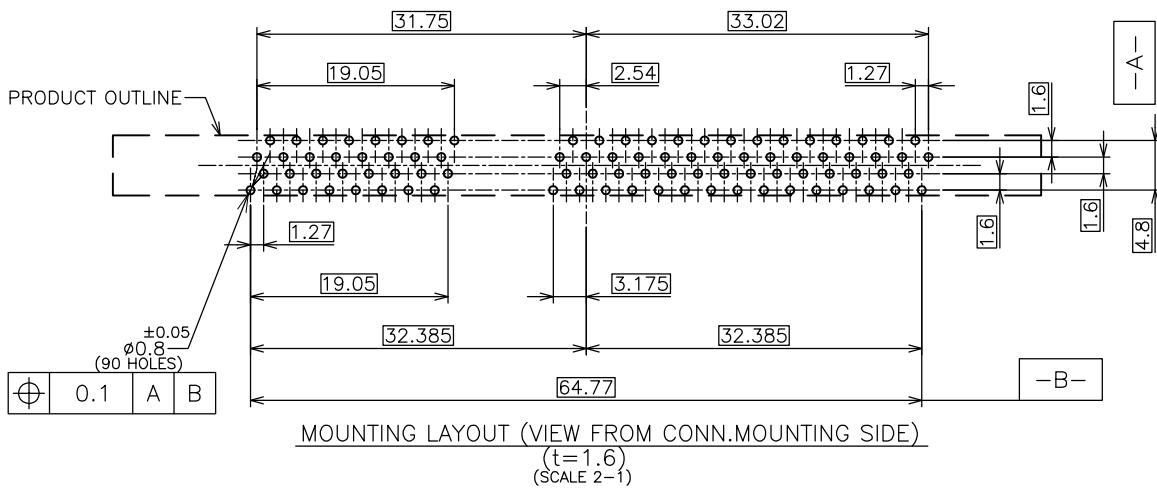
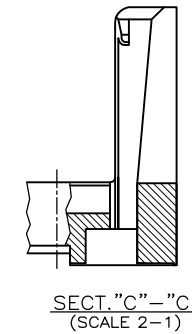
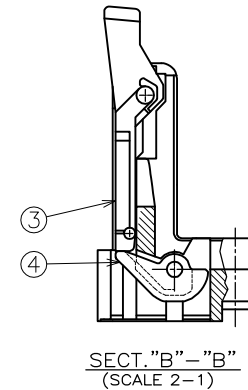
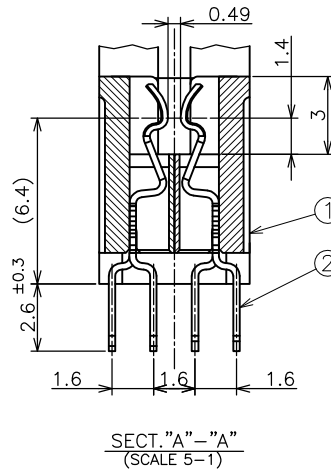
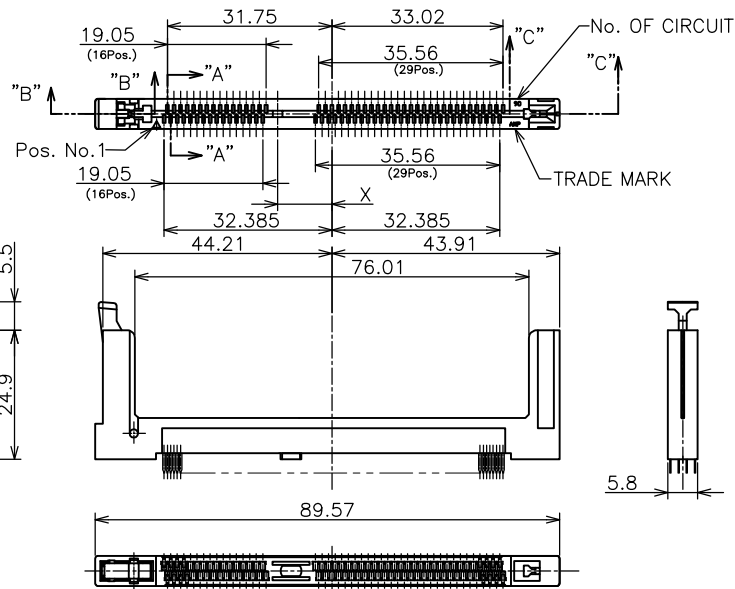
Tel: +86-755-8981 8866 Fax: +86-755-8427 6832

Email & Skype: info@chipsmall.com Web: www.chipsmall.com

Address: A1208, Overseas Decoration Building, #122 Zhenhua RD., Futian, Shenzhen, China



P	LTR	DESCRIPTION	DATE	DWN	APVD
0		RELEASED	16MAY05	J.Z	I.E



NOTES

- ▲ MATERIAL ; HOUSING : THERMOPLASTICS UL94V-0.
CONTACT : COPPER ALLOY.
ARM BAR & PUSH BAR : THERMOPLASTICS UL94V-0.
- ▲ FINISH ; CONTACT AREA : GOLD PLATE.
OVER Ni PLATE.
SOLDERING AREA ; TIN PLATE.

PARTS	No.
ARM	④
PUSH BAR	③
CONTACT	②
HOUSING	①

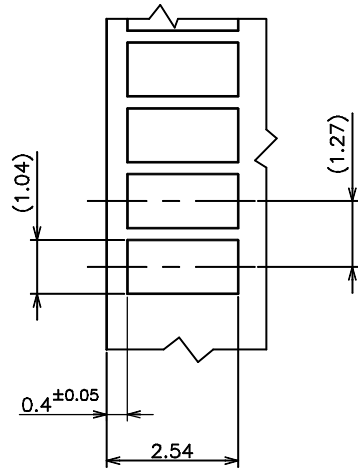
5.3975	NATURAL (WHITE)	GRAY		6376118-6
10.4775		BLACK	OPTION	6376118-2
		NATURAL (WHITE)	STANDARD	6376118-1
X (KEY DIMENSION)	COLOR OF PUSH BAR	COLOR OF HOUSING	APPLICATION	PARTS No.

THIS DRAWING IS A CONTROLLED DOCUMENT.

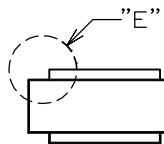
DIMENSIONS: MM	TOLERANCES UNLESS OTHERWISE SPECIFIED: 0-PLC 10± ± 0.2 1-PLC 30± >10 ± 0.25 2-PLC 100± >>30 ± 0.3 3-PLC ± ± 4-PLC ± ± ANGLES ± 3'	DWN Julyee.Zhu 16MAY05 CHK Takahiro.Kawamae 16MAY05 APVD Ikuo.Enomoto 16MAY05	Tyco Electronics AMP K.K. Kawasaki, Japan	
MATERIAL	FINISH	PRODUCT SPEC 108-78286	MIII SOCKET VERTICAL 90P DIP TYPE (DIMM SOCKET)	
		APPLICATION SPEC	SIZE A3	RESTRICTED TO
		WEIGHT	CAGE CODE 00779	DRAWING NO C-6376118
		CUSTOMER DRAWING	SCALE 1 : 1	SHEET 1 OF 2

LOC	DIST	REVISIONS	DATE	DWN	APVD
J					
P	LTR	DESCRIPTION			
-	-	SEE SHEET 1	-	-	-

 COMPONENT AREA



DETAIL "D"



"E"

5.3975	6376118-6
10.4775	6376118-2
	6376118-1
X (KEY DIMENSION)	PARTS No.

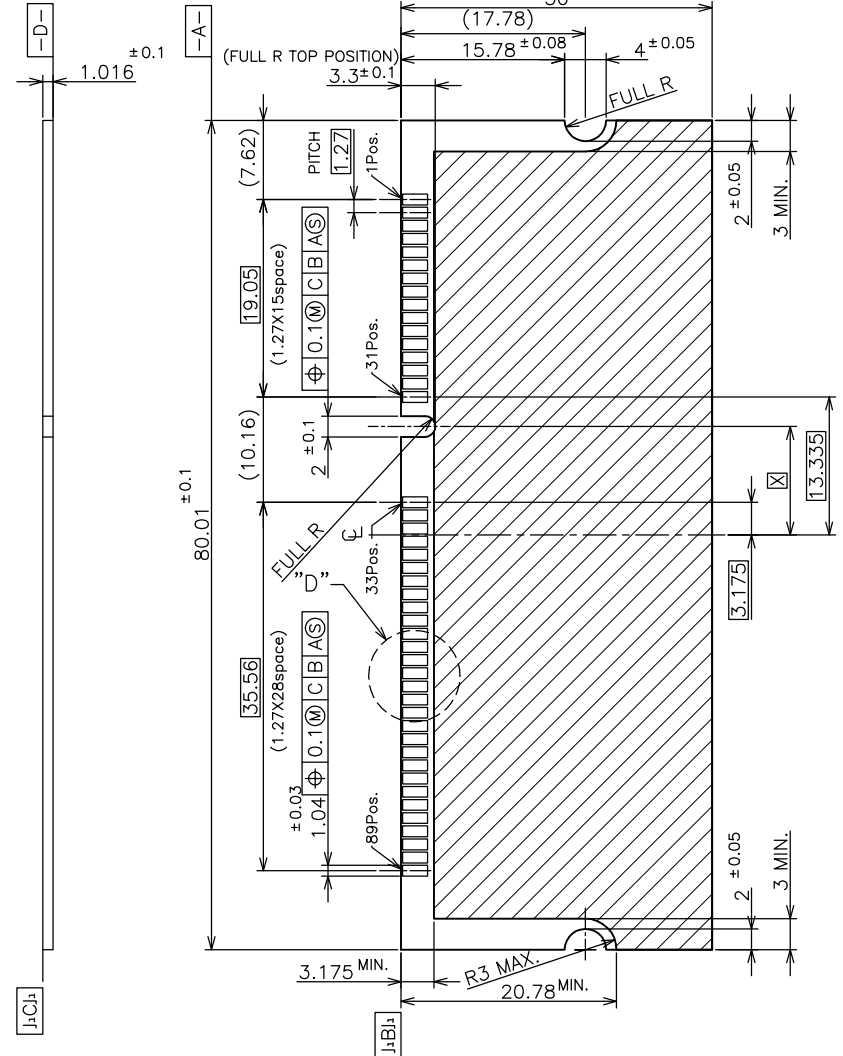
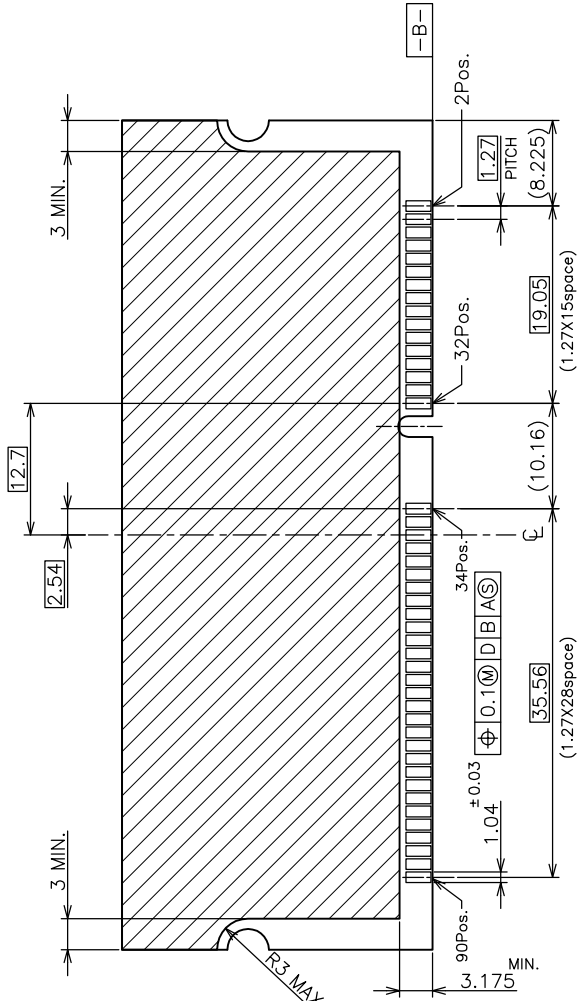


GOOD




NO GOOD


DETAIL "E"
DISPOSE OF ETCHING FOR PCB PATTERN



THIS DRAWING IS A CONTROLLED DOCUMENT.

DIMENSIONS:	TOLERANCES UNLESS OTHERWISE SPECIFIED:
MM	
	0 PLC
	1 PLC
	2 PLC
	3 PLC
	4 PLC
	ANGLES
	± 3'
MATERIAL	FINISH

DWN
CHK
APVD
PRODUCT SPEC
APPLICATION SPEC
WEIGHT
CUSTOMER DRAWING

		Tyco Electronics AMP K.K. Kawasaki, Japan	
NAME		MIII SOCKET VERTICAL 90P DIP TYPE RECOMMENDED P.C.B LAYOUT	
SIZE	CAGE CODE	DRAWING NO	RESTRICTED TO
A3	00779	C-6376118	
SCALE 2:1		SHEET 2 OF 2	REV 0