



Chipsmall Limited consists of a professional team with an average of over 10 year of expertise in the distribution of electronic components. Based in Hongkong, we have already established firm and mutual-benefit business relationships with customers from,Europe,America and south Asia,supplying obsolete and hard-to-find components to meet their specific needs.

With the principle of “Quality Parts,Customers Priority,Honest Operation,and Considerate Service”,our business mainly focus on the distribution of electronic components. Line cards we deal with include Microchip,ALPS,ROHM,Xilinx,Pulse,ON,Everlight and Freescale. Main products comprise IC,Modules,Potentiometer,IC Socket,Relay,Connector.Our parts cover such applications as commercial,industrial, and automotives areas.

We are looking forward to setting up business relationship with you and hope to provide you with the best service and solution. Let us make a better world for our industry!



Contact us

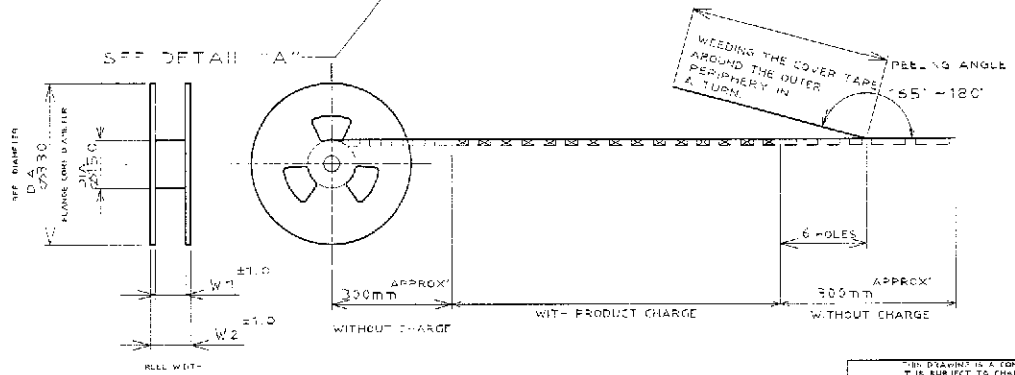
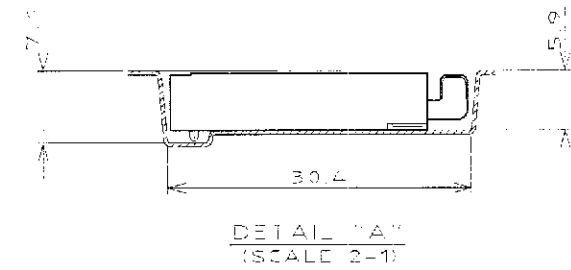
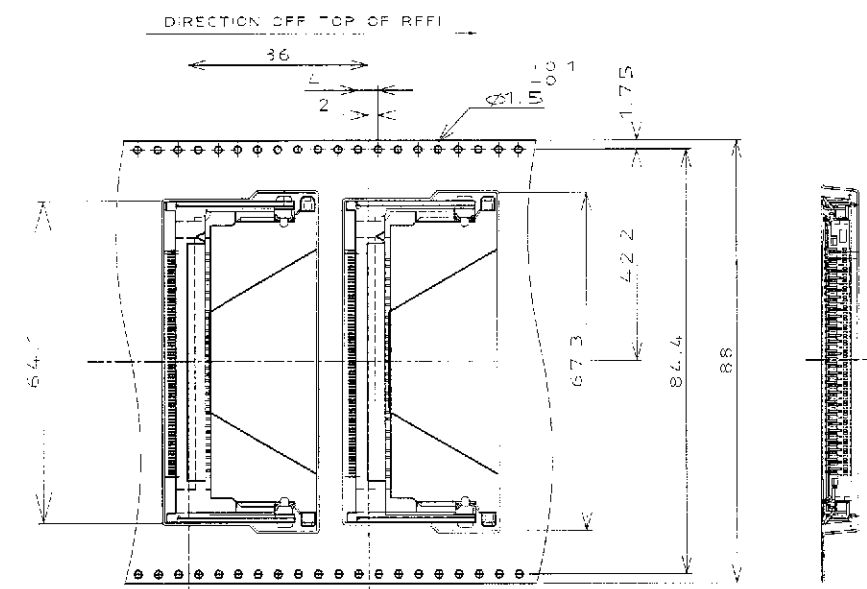
Tel: +86-755-8981 8866 Fax: +86-755-8427 6832

Email & Skype: info@chipsmall.com Web: www.chipsmall.com

Address: A1208, Overseas Decoration Building, #122 Zhenhua RD., Futian, Shenzhen, China

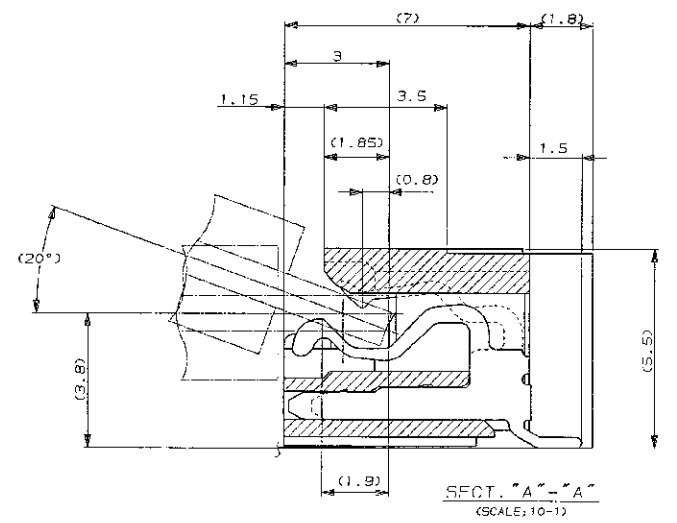
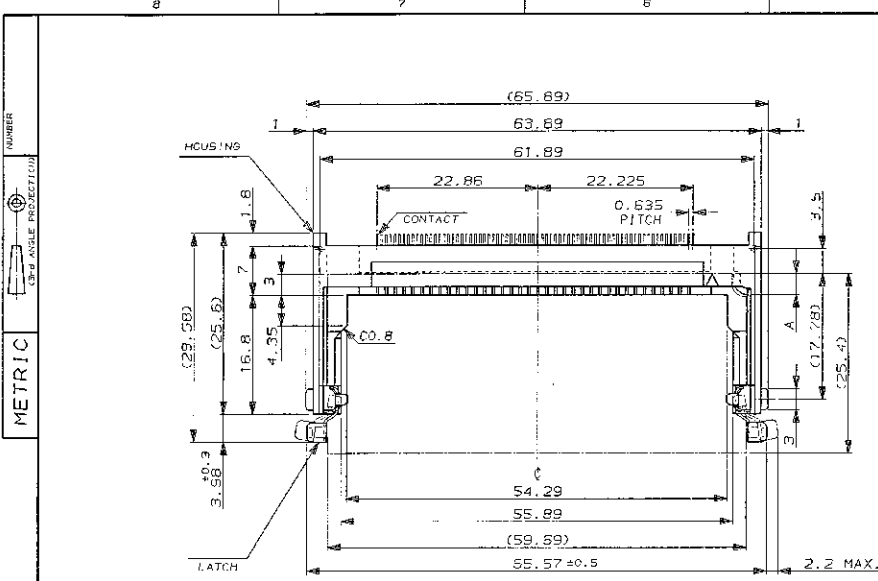


REVISIONS					
REV	DATE	DESCRIPTION	APP'D	DATE	BY
0		RELEASED	ECR-05-001352	4MAY05	LZ I.E
01		REVISED PER	ECO-10-000445	11JAN10	KK AEG

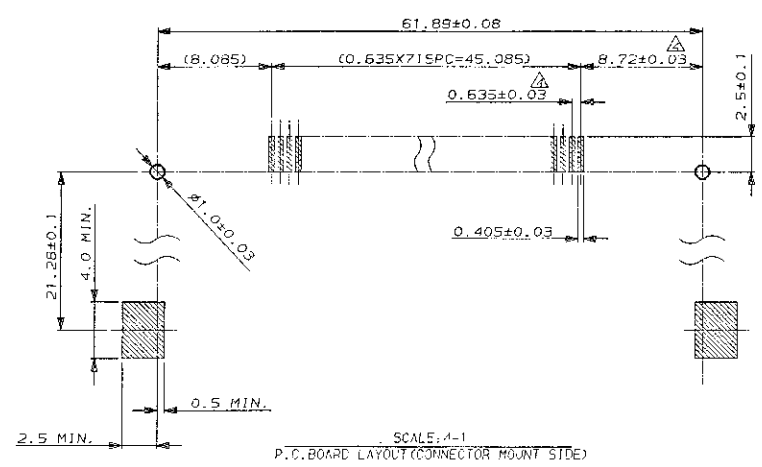
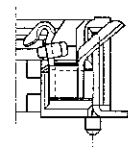
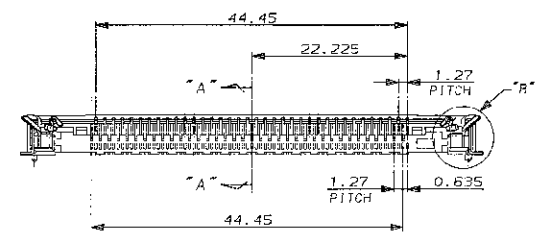


4 OBSOLETE	0.3A J, 3.3V	93.6	89.0	150	6376266-2
	0.3A J, 5V	93.6	89.0	150	6376266-1
	TYPE	W2	W1	QTY	PART NO.

THIS DRAWING IS A CONTROLLED DOCUMENT FOR AMP INCORPORATED IT IS SUBJECT TO CHANGE AND THE CONTROLLING ENGINEERING ORGANIZATION SHOULD BE CONTACTED FOR THE LATEST REVISION		LEO ZHOU 4MAR05 CHK STEVEN YAO 4MAR05 APP'D LEMONOTO 4MAR05 PRODUCT SPEC APPLICATION SPEC WEIGHT CUSTOMER DRAWING	tyco Electronics Tyco Electronics AMP K.K. Kawasaki, Japan
DIMENS UNITS mm TOLERANCES UNLESS OTHERWISE SPECIFIED .102 ± .02 .127 ± .02 .152 ± .03 ANGLES ± .25°	EMBOSS ASSY MI SOCKET 72POS.		
MATERIAL	FINISH	SIZE: A3 PART FOOT: 00779 DRAWING NO: 6376266	RESTRICTED TO SCALE: 1-1 SHEET 1 OF 3 REV 01



- NOTES
- MATERIAL & FINISH
 HOUSING : GLASS FILLED LCP
 CONTACT : COPPER ALLOY
 LATCH : COPPER ALLOY. (1N PL.)
 CONTACT PLATING (AU PL. TYPE)
 Au (0.3µm) PL. AT CONTACT, 1IN PL. AT
 TINE OVER NI PL.
 TOLERANCE : NON CUMULATIVE.
- 4** OBSOLETE PARTS: OBSOLETE CIS
 STREAMLINING PER D.RENAUD/D.SINISI



OBSOLETE	NATURAL	1.0	2.98	0.3µm Au	6376266-2
	BLACK	1.0	6.15	0.3µm Au	6376266-1
HOUSING COLOR		C	A	PLATING (CONTACT POINT)	PART NO.

Copyright © 1993 Ami Group, LTD. ALL RIGHTS RESERVED.		tyco Electronics		Type "Electronics" 401-411 Rev. 01/93	
(THIS MARK) MATERIAL	(INSULATION DEFECT) NONE	NAME: EMBOSS ASSY M III SOCKET			
SEE NOTES	SEE NOTES	GENERAL TOLERANCES		LOC	Rev.
OR	OR	C	J	C-6376266	
OR	OR	SCALE	RCV.	01	SHEET
(REVISION RECORD)	OR	2-1			2 OF 3

(CUSTOMER DRAWING)

PRINT DIST. METRIC NUMBER 40-2010X REV. 01/93

NUMBER

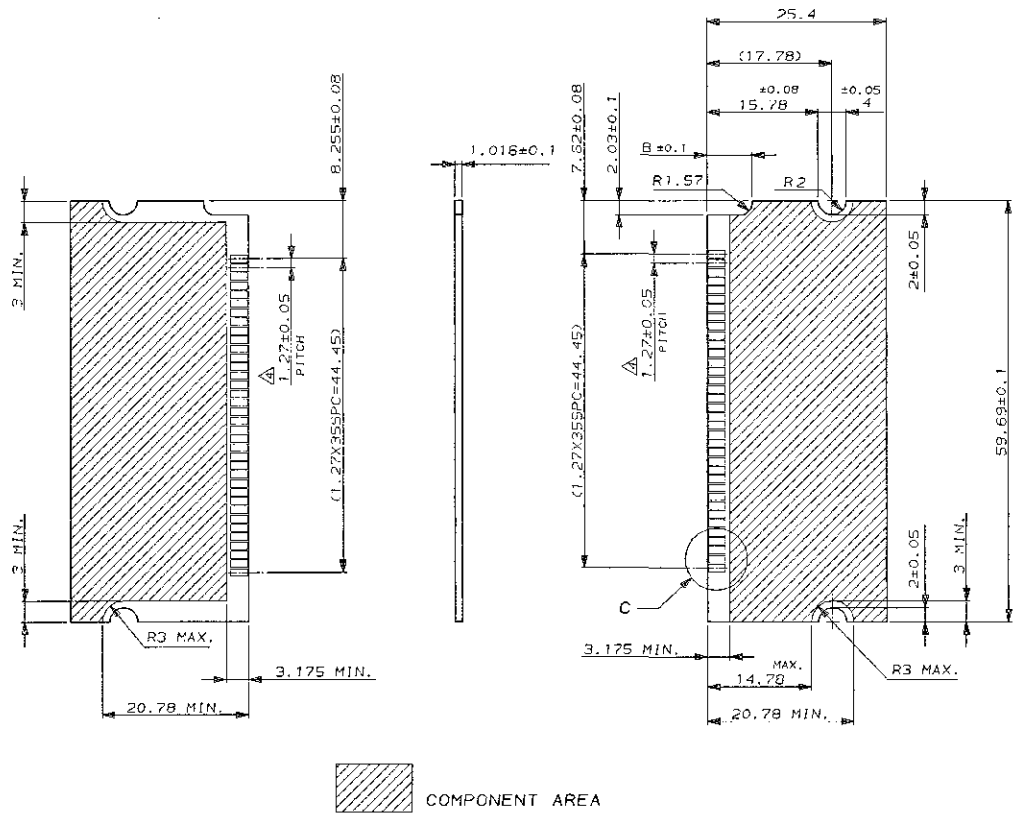


METRIC

SIZE AND DIMENSIONS IN MM. DO NOT SCALE PRINT

TYCO ELECTRONICS

REV. 01



RECOMMENDED DIMENSIONS OF "SMALL CUT" IAF 51MM P.C. BOARD

6.35	5.0V
3.175	3.3V
B	CIRCUIT VOLTAGE

Copyright © 1993 AMP Limited, LTD. ALL RIGHTS RESERVED.		tyco Electronics		Type Location: 401-4P Knessel, Jersey	
TYPE ASSEMBLY	INSULATION POINT	EMBOSS ASSY M III SOCKET			
MATERIAL	FINISH	GEN. TEL. NO.			
SEE NOTES	SEE NOTES	LOC	J	C-6376286	
UR.	DE.	SCALE	2-1	REV.	01
APP.				SHEET	3 OF 3

(CUSTOMER DRAWING)